

160.1800 | Single Lever Wall Mount Faucet

SPECIFICATIONS:

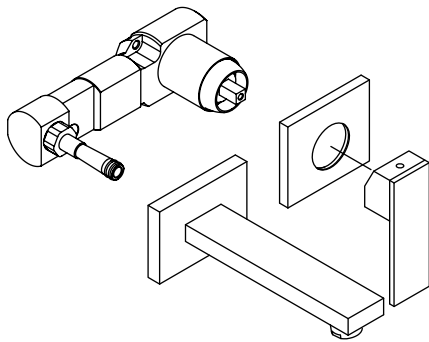
- Solid Brass construction - includes valve
- Wall Mount Installation
- 1.5 GPM Flow Rate @ 60 PSI (1.2 GPM For California)
- Ceramic disc cartridge allows both volume and temperature control
- Extension Available - 160.1800E**

FAST SHIP FINISHES :

- Chrome - 160.1800CP, Brushed Nickel - 160.1800BN

STANDARDS:

- ASME A112.18.1 / CSA B125.1, NSF-61



LowFlow Capable



Legislation Compliance



Low Lead Compliant



ZeroDrip Technology



Technical Diagram

