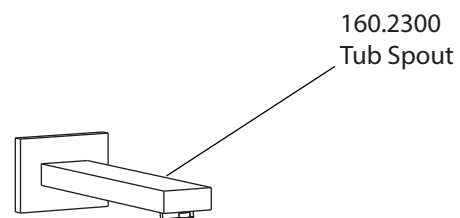
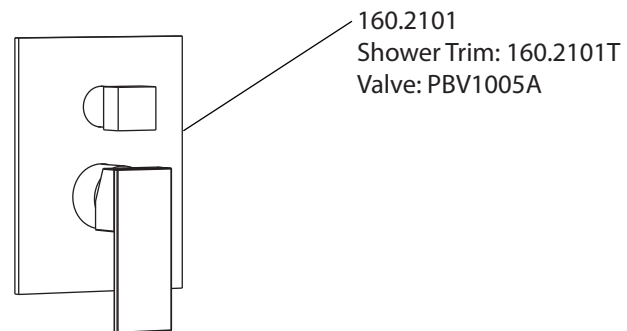
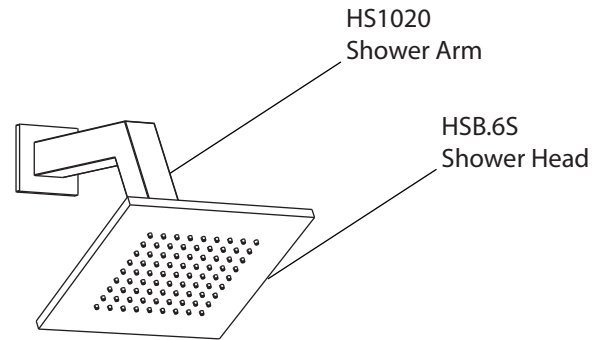


# Product Parts Breakdown

▲ Specify Finish



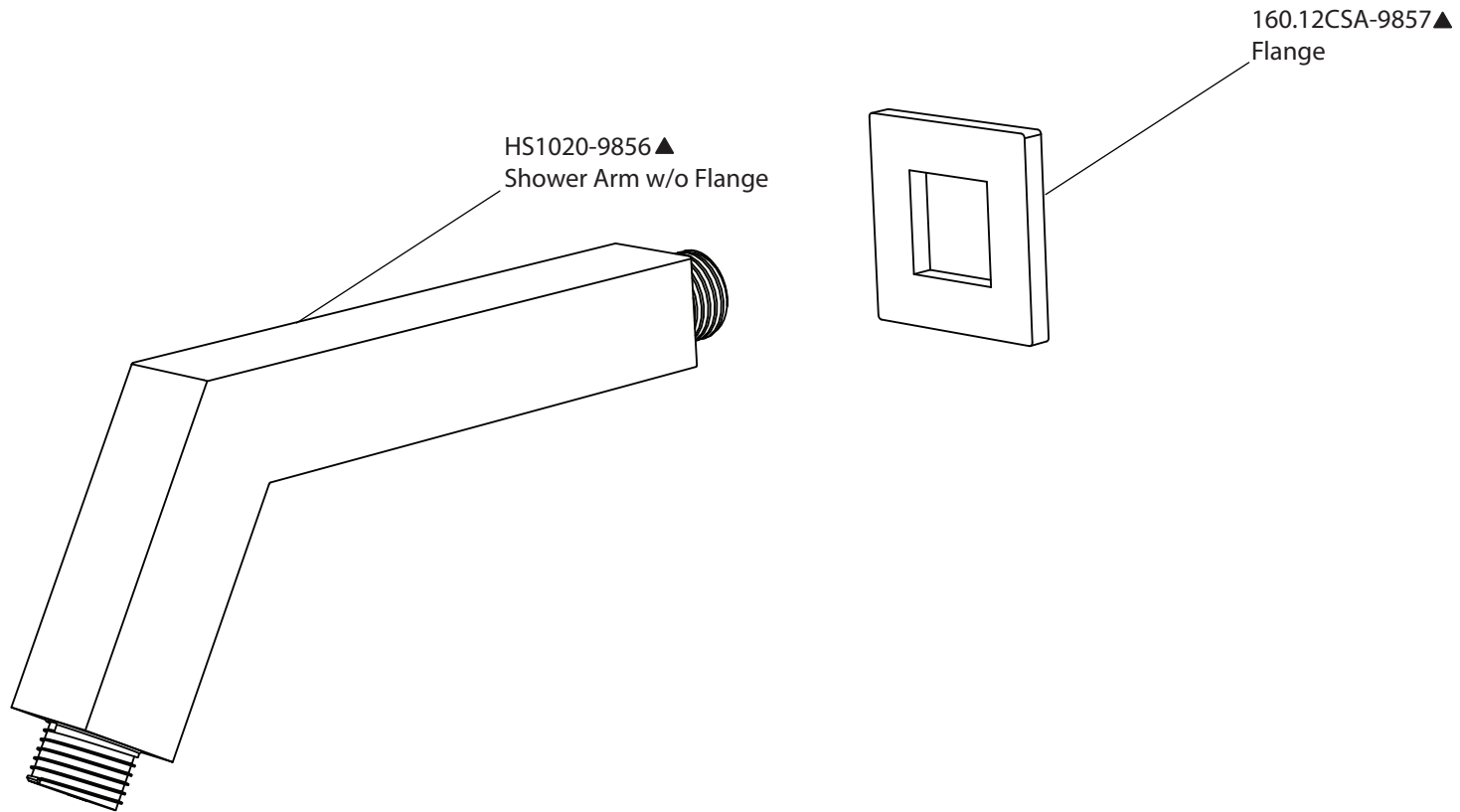
**isenberg**  
innovation+design

160.3050

Ver 2.53

# Product Parts Breakdown

▲ Specify Finish



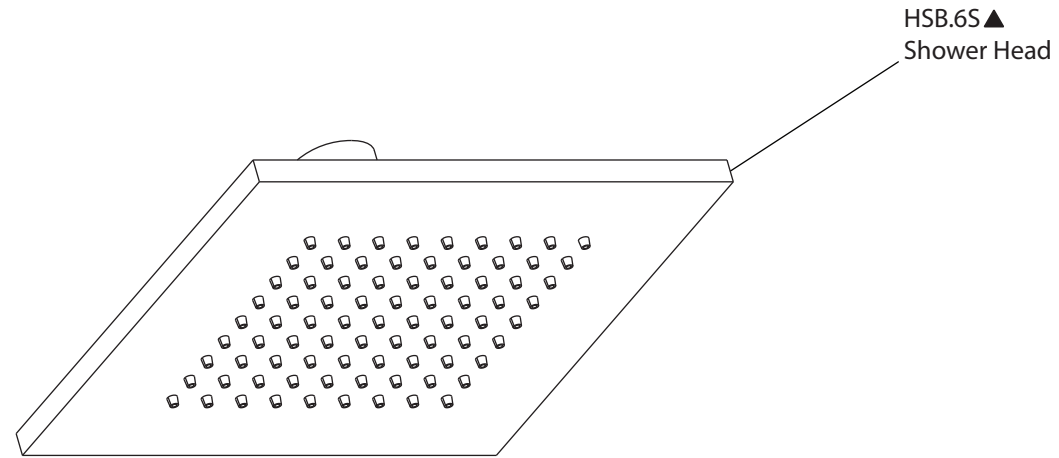
**isenberg**  
innovation+design

HS1020

Ver 2.53

# Product Parts Breakdown

▲ Specify Finish



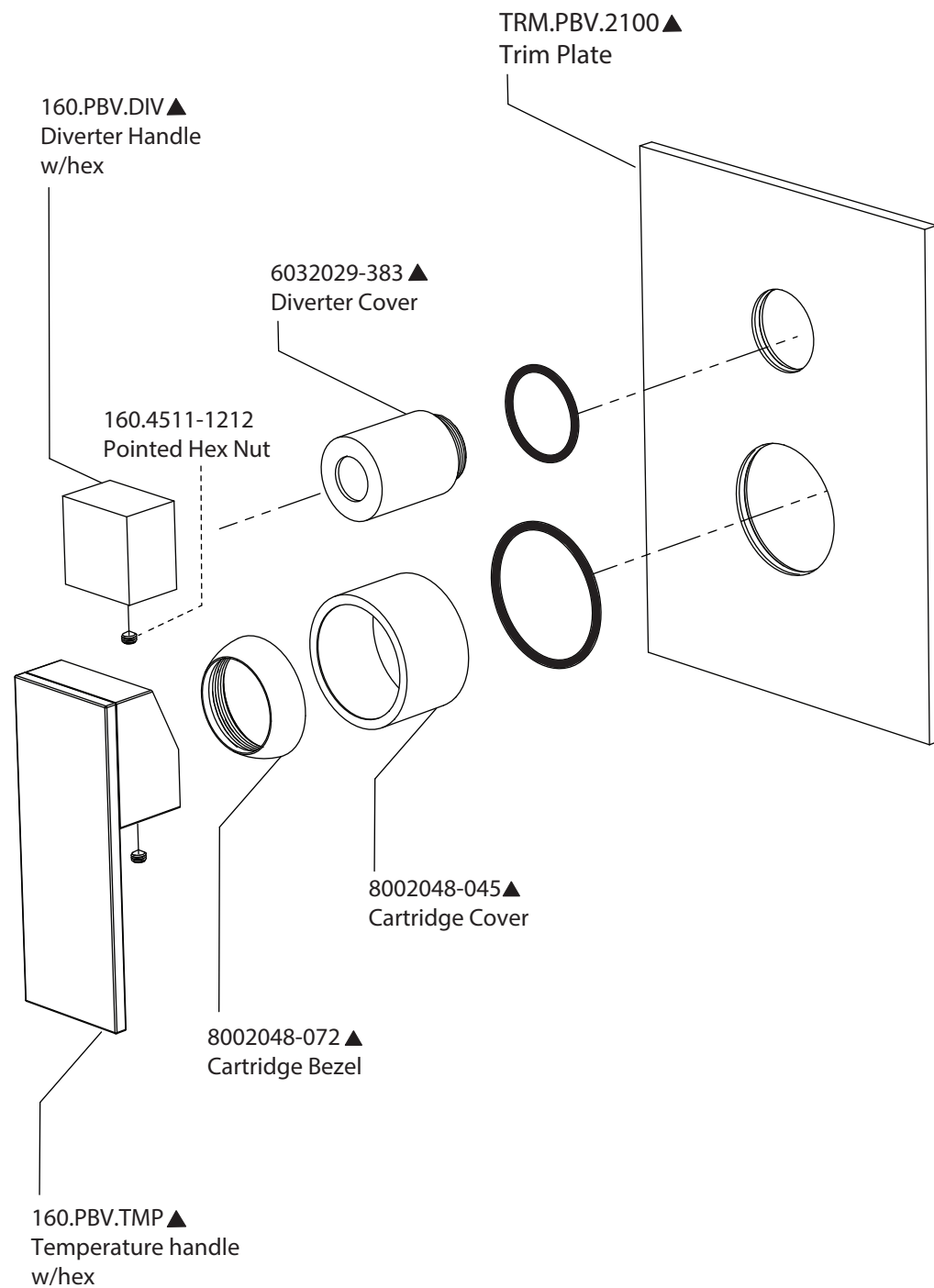
**isenberg**  
innovation+design

HSB.6S

Ver 2.53

# Product Parts Breakdown

▲ Specify Finish

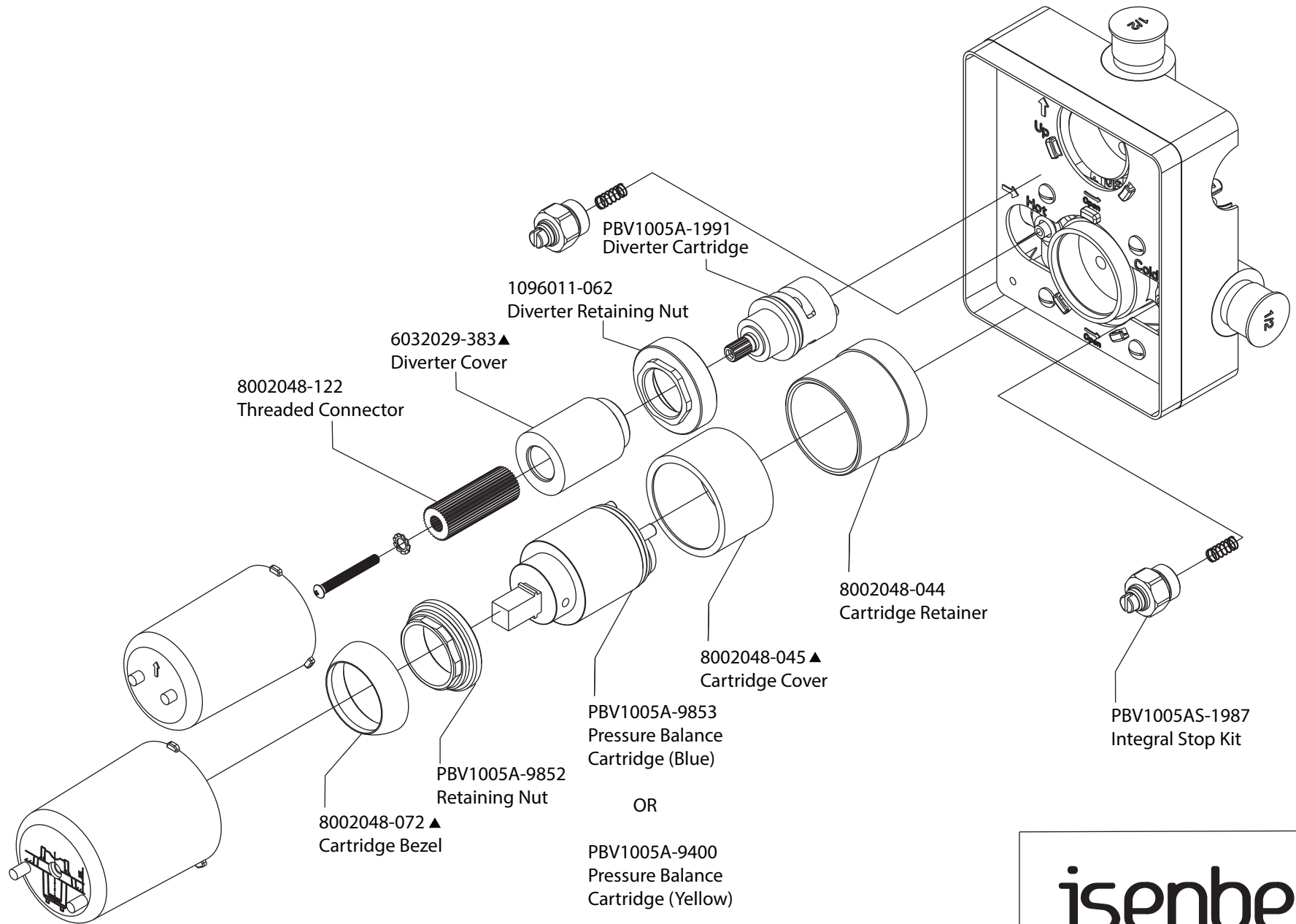


**isenberg**  
innovation+design

160.2101T

Ver 2.58

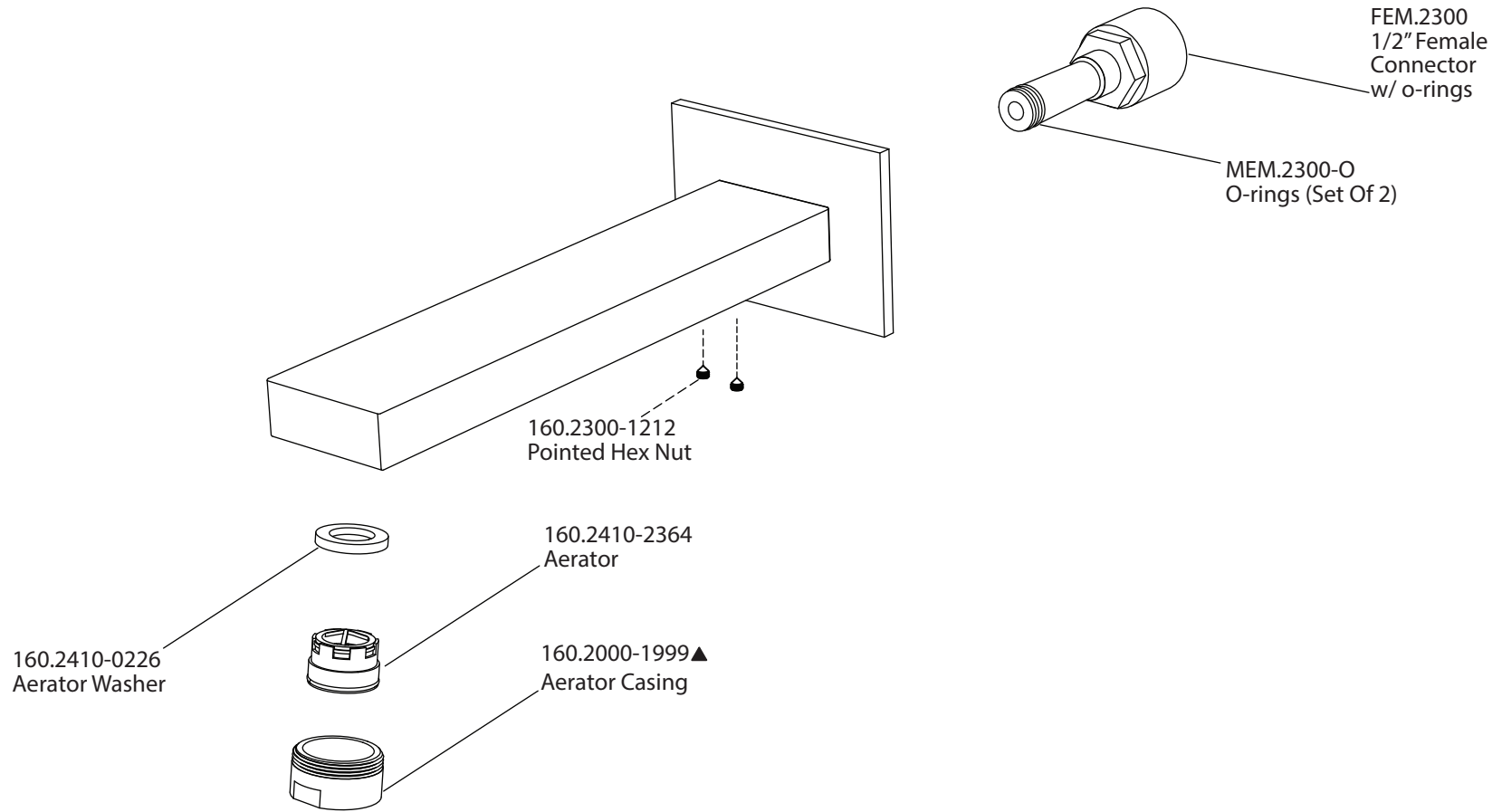
# Product Parts Breakdown



**isenberg**  
innovation+design

PBV1005A

# Product Parts Breakdown



**isenberg**  
innovation+design

160.2300

Ver 2.58