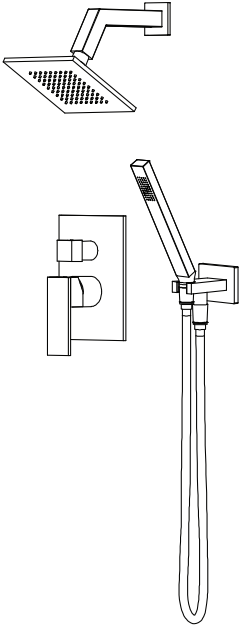


## 160.3250 | Two Output Shower W/ Shower Head & Hand Held



### COMPONENTS

- HS1020 - 7" Shower Arm
- HSB.6S - 6" Shower Head
- 160.2101T - Shower Trim
- PBV.1005A - Shower Valve
- HS1003 - Hand Held Set

### SHOWER VALVE:

- Pressure balance shower valve
- Valve includes service stops
- Lift bottom handle to control volume
- Turn left for hot, right for cold.
- Top handle controls water diversion
- 1/2" NPT

### SHOWER HEAD:

- Single function
- Solid brass construction
- 1.8 GPM flow rate

### HAND HELD:

- Solid Brass construction
- 1.8 GPM flow rate
- With back flow prevention check valve

### STANDARDS:

- ASME A112.18.1 / CSA B125.1

See individual component specification sheets on following pages for further details.



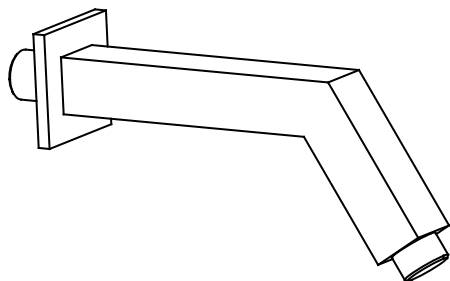
**HS1020 | Square Shower Arm**

**SPECIFICATIONS:**

- Solid Brass Shower Arm
- With Sliding Flange

**FAST SHIP FINISHES :**

- Chrome - HS1020CP / Brushed Nickel - HS1020BN



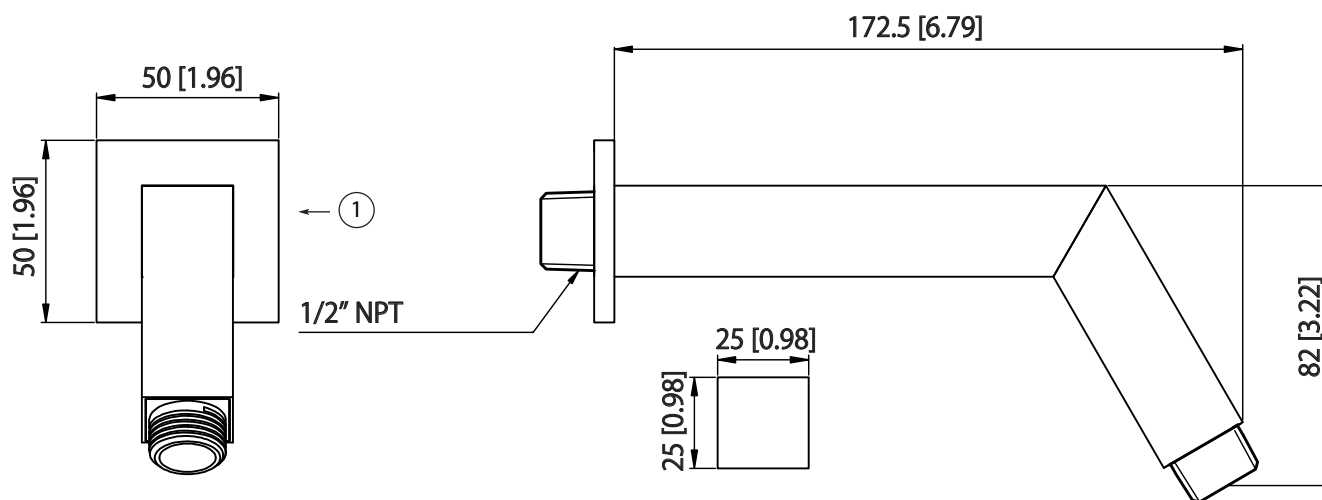
Legislation Compliance



ZeroDrip Technology



**Technical Diagram**



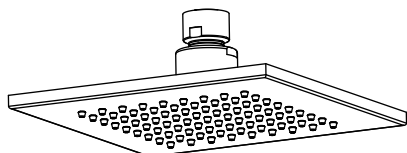
**Part Number Guide:**

- ① Flange - HS1020-1253CP - Chrome  
HS1020-1253BN - Brushed Nickel

**HSB.6S | 6" Brass Shower Head**

**SPECIFICATIONS:**

- Solid Brass Shower Head
- Scrub rubber nozzles to easily clean water sediment
- 1.8 GPM Flow Rate
- 81 Nozzles
- Use with HS1020 Shower Arm



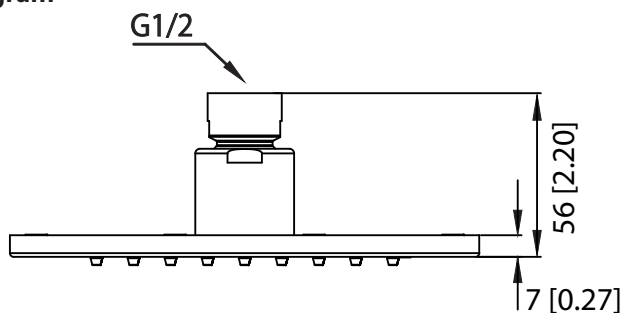
Legislation Compliance



ZeroDrip Technology

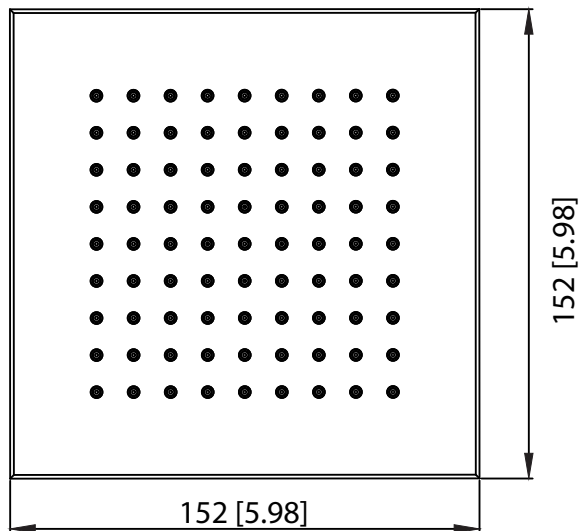
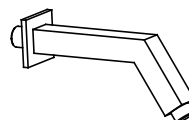


**Technical Diagram**

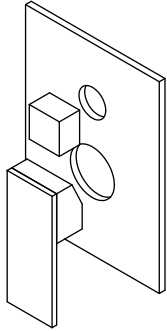


**MATCHING SHOWER ARMS:**

- 1) HS1020

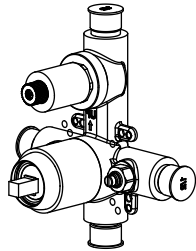


**160.2101 | Tub / Shower Trim Set With Pressure Balance Valve & 2-Way Diverter with Integrated Volume Control**



Trim  
[ 160.2101T\*\* ]

+



Valve  
[ PBV1005A\*\* ]

**SPECIFICATIONS:**

- Includes Pressure balance valve (PBV1005A\*\*) w/ service stops
- Lift Handle to control volume. Turn left for hot, right for cold.
- Small knob controls 2-way water diversion
- Pressure Balance Valve Flow Rate - 5.5 GPM @ 60 PSI

**FAST SHIP FINISHES:**

- Chrome - 160.2101CP / Brushed Nickel - 160.2101BN

\*\* Denotes Finish (CP, BN, etc.)

Legislation Compliance

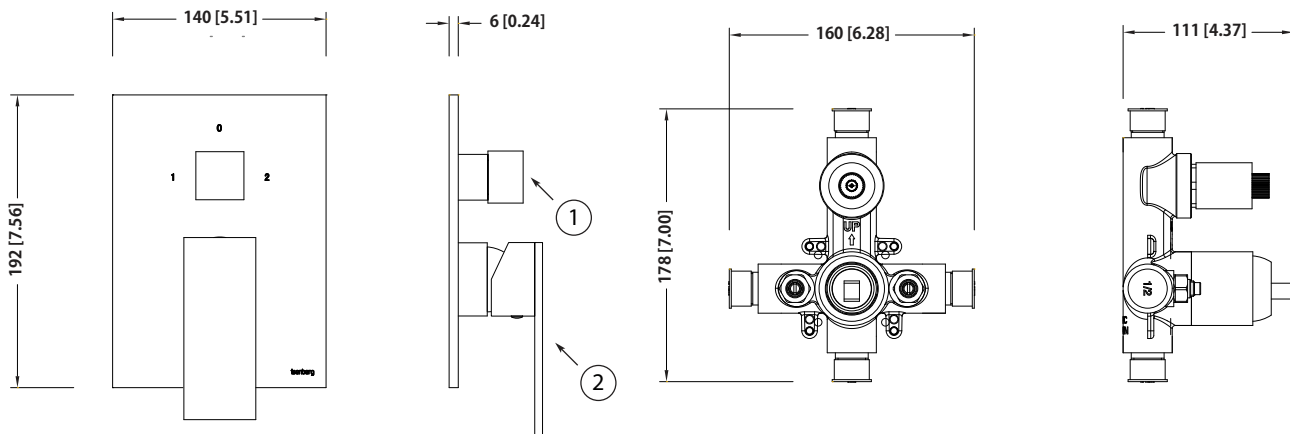


ZeroDrip Technology

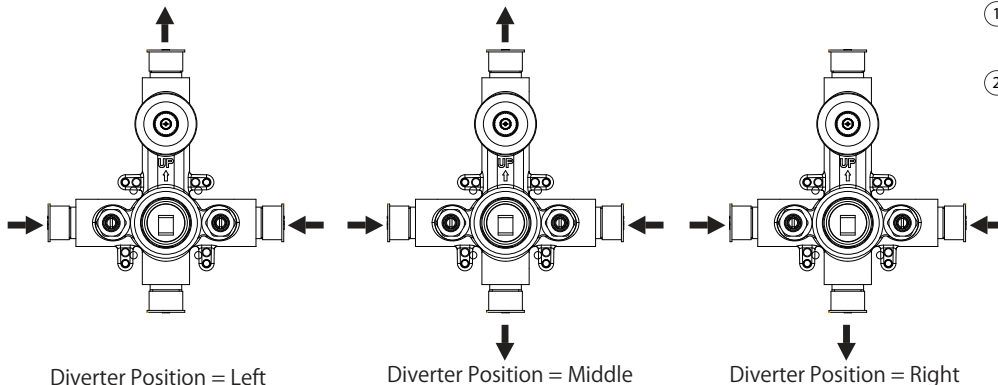


See Spec Sheet For  
PBV1005A For Detailed  
Information On Valve.

**Technical Diagram**



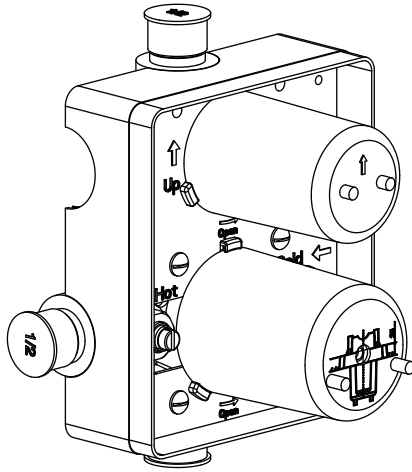
**Water Diversion Diagram**



**Part Number Guide:**

- ① Diverter Handle - 160.PBV.DIVCP - Chrome  
Diverter Handle - 160.PBV.DIVBN - Brushed Nickel
- ② Hot-Cold Handle - 160.PBV.TMPCP - Chrome  
Hot-Cold Handle - 160.PBV.TMPBN - Brushed Nickel

**PBV1005A | Pressure Balance Valve With Integrated 2-Way Diverter** Page 1 of 2



**SPECIFICATIONS:**

- Lift Handle to control volume. Turn left for hot, right for cold.
- Knob controls 2-way water diversion - shared output.
- Pressure Balance Valve Flow Rate - 5.5 GPM @ 60 PSI
- Extension Available - PBV.2100E\*\*

**FAST SHIP FINISHES :**

- Chrome - PBV1005ACP / Brushed Nickel - PBV1005ABN /

**STANDARDS:**

- ASME A112.18.1 / CSA B125.1

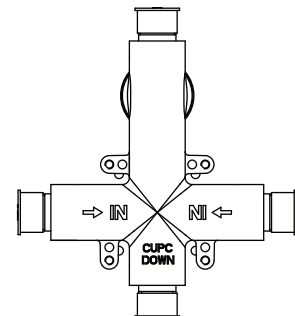
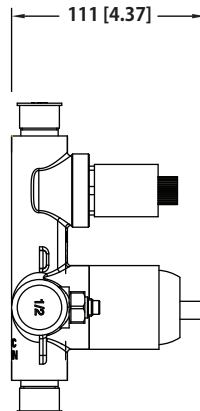
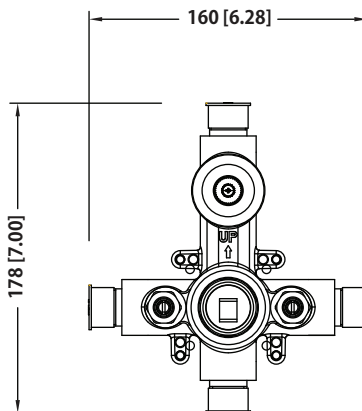
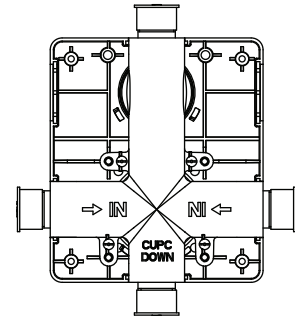
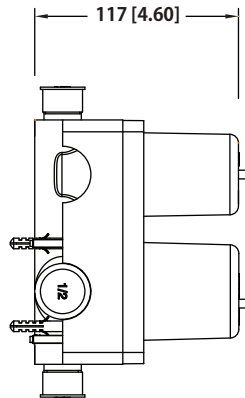
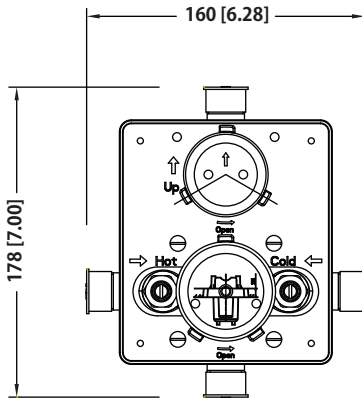
Legislation Compliance



ZeroDrip Technology



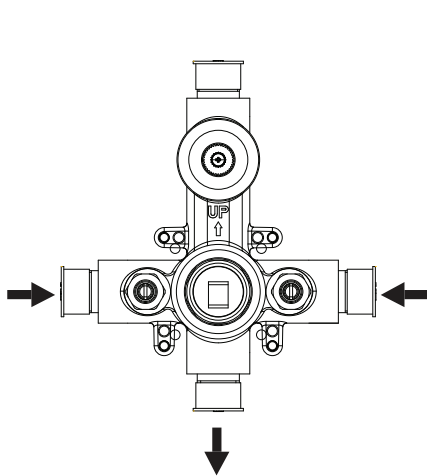
**Technical Diagram**



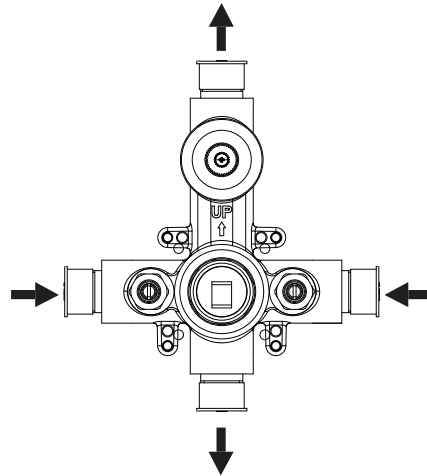
PBV1005A | Pressure Balance Valve With Integrated 2-Way Diverter Page 2 of 2



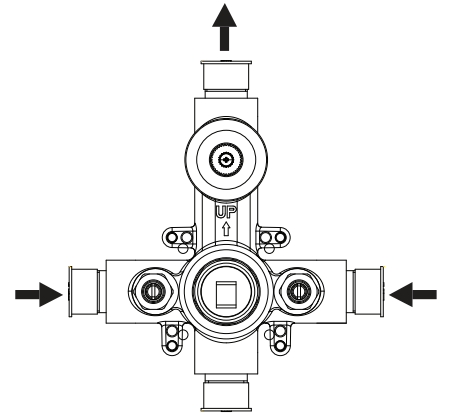
Water Diversion Diagram



Diverter Position = Left

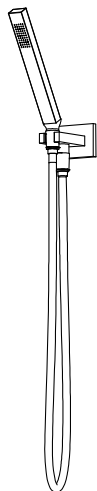


Diverter Position = Middle  
Shared Flow is Low Transition Flow



Diverter Position = Right

**HS1003 | Solid Brass Hand Shower Set**



**SPECIFICATIONS:**

- Solid Brass construction
- Single function hand held
- 1/2" female elbow connection
- Includes check valve with back-flow prevention
- 1.8 GPM Flow Rate

Legislation Compliance



ZeroDrip Technology



**Technical Diagram**

