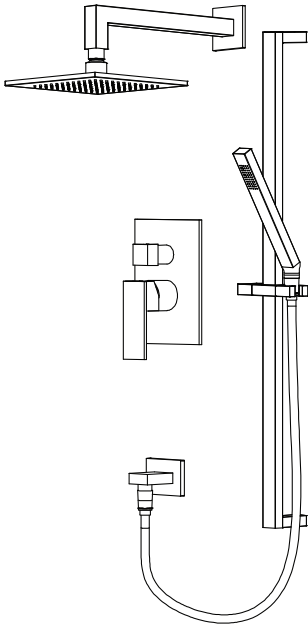


160.3350 | Shower Set – 8" Shower Head & Hand Shower Set With Slide Bar  
– Pressure Balance Valve & Trim



COMPONENTS

- HS1001SA - 12" Shower Arm
- HS1001A - 8" Shower Head
- 160.2101T - Shower Trim
- PBV.1005A - Shower Valve
- HS1006H - Hand Held
- 160.5505 - Wall Elbow
- SP.150EM - 1.5m Hose
- 160.601003A - Slide Bar

SHOWER VALVE:

- Pressure balance shower valve
- Valve includes service stops
- Lift bottom handle to control volume
- Turn left for hot, right for cold.
- Top handle controls water diversion
- 1/2" NPT

SHOWER HEAD:

- Solid brass construction
- 1.8 GPM flow rate

HAND HELD W/ SLIDE BAR & ELBOW:

- Solid Brass construction
- Hand held flow rate = 1.8 GPM
- 1/2" female NPT elbow connection
- With back flow prevention check valve

STANDARDS:

- ASME A112.18.1 / CSA B125.1

See individual component specification sheets on following pages for further details.



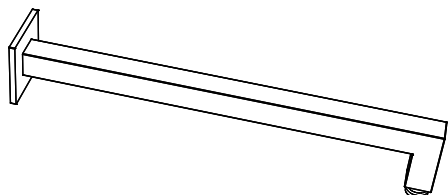
**HS1011SA | Square Shower Arm - 400mm - 16"**

**SPECIFICATIONS:**

- Solid Brass Shower Arm
- With Sliding Flange

**FAST SHIP FINISHES :**

- Chrome - HS1011SACP / Brushed Nickel - HS1011SABN



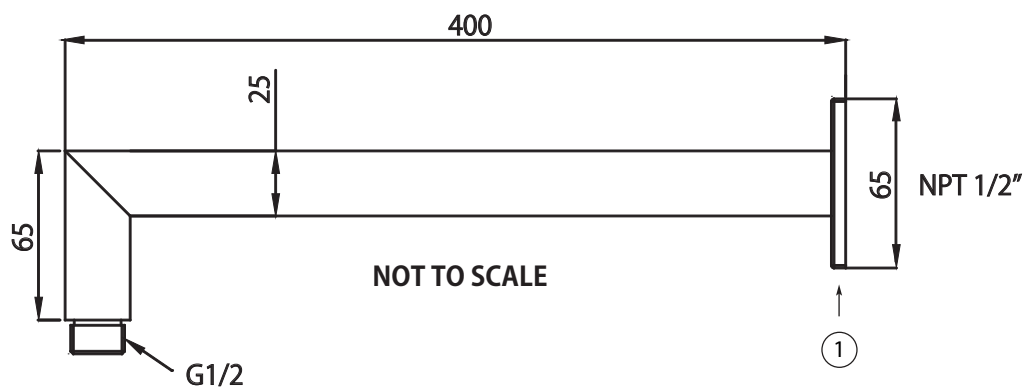
Legislation Compliance



ZeroDrip Technology



**Technical Diagram**



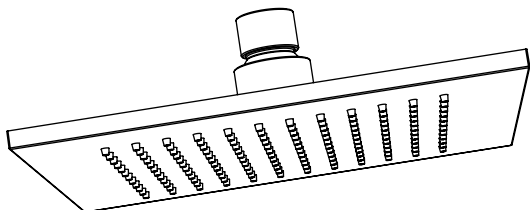
**Part Number Guide:**

- ① Flange - HS1001SA-1253CP - Chrome  
HS1001SA-1253BN - Brushed Nickel

**HS1001A | 8" Brass Shower Head**

**SPECIFICATIONS:**

- Solid Brass Shower Head
- Scrub rubber nozzles to easily clean water sediment
- 1.8 GPM Flow Rate



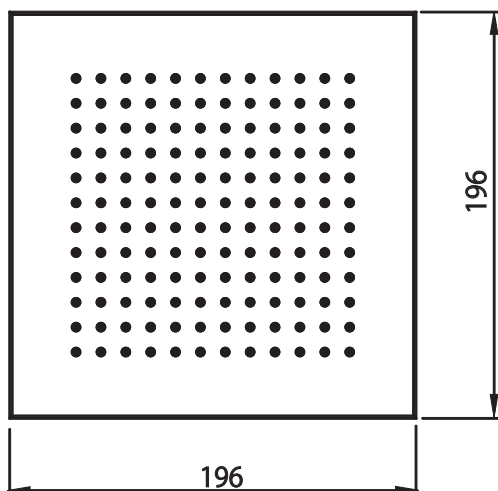
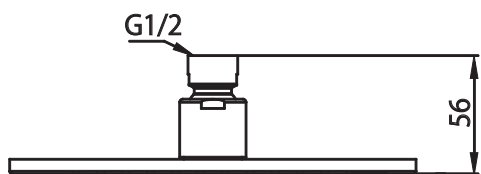
Legislation Compliance



ZeroDrip Technology

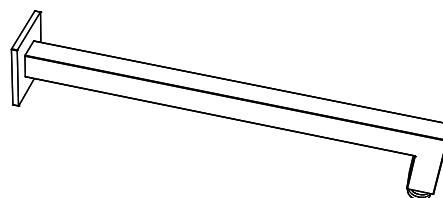


**Technical Diagram**

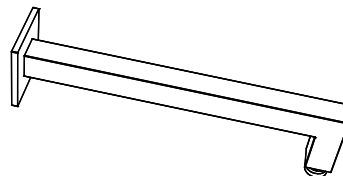


**MATCHING SHOWER ARMS:**

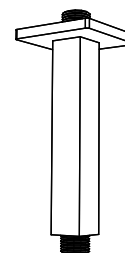
- 1) HS1011SA (16" Wall Mount Shower Arm)



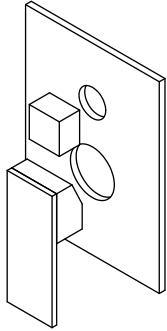
- 2) HS1001SA (12" Wall Mount Shower Arm)



- 3) 160.6CSA (6" Ceiling Mount Shower Arm)

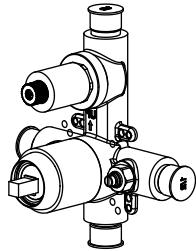


**160.2101 | Tub / Shower Trim Set With Pressure Balance Valve & 2-Way Diverter with Integrated Volume Control**



Trim  
[ 160.2101T\*\* ]

+



Valve  
[ PBV1005A\*\* ]

**SPECIFICATIONS:**

- Includes Pressure balance valve (PBV1005A\*\*) w/ service stops
- Lift Handle to control volume. Turn left for hot, right for cold.
- Small knob controls 2-way water diversion
- Pressure Balance Valve Flow Rate - 5.5 GPM @ 60 PSI

**FAST SHIP FINISHES:**

- Chrome - 160.2101CP / Brushed Nickel - 160.2101BN

\*\* Denotes Finish (CP, BN, etc.)

Legislation Compliance

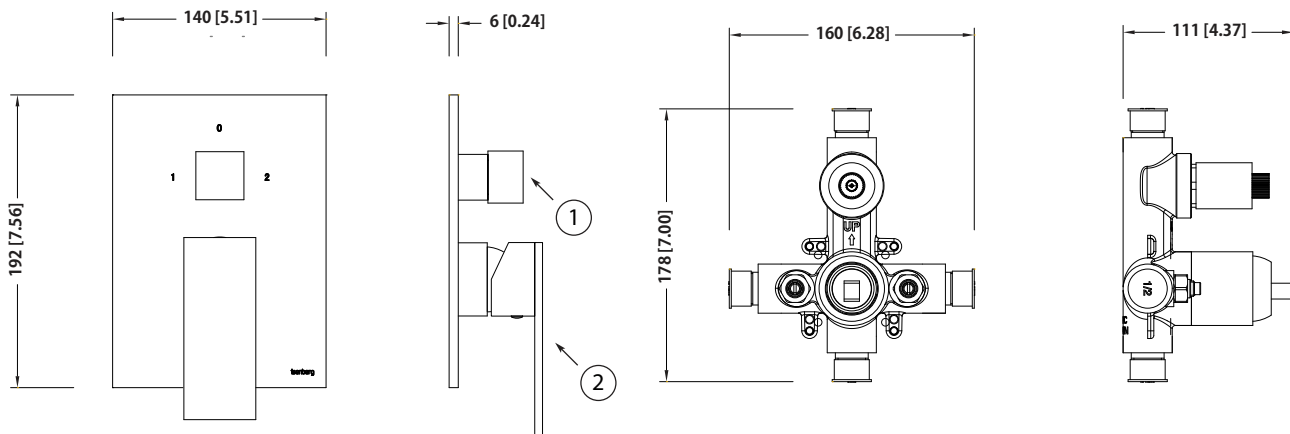


ZeroDrip Technology

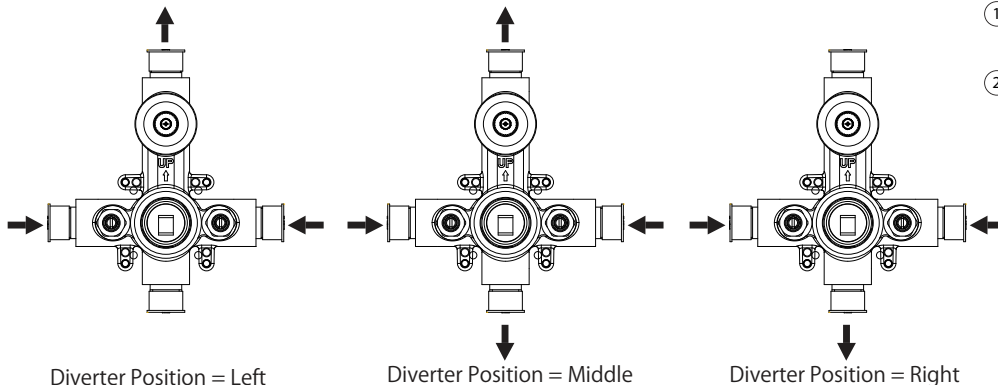


See Spec Sheet For  
PBV1005A For Detailed  
Information On Valve.

**Technical Diagram**



**Water Diversion Diagram**



**Part Number Guide:**

- ① Diverter Handle - 160.PBV.DIVCP - Chrome  
Diverter Handle - 160.PBV.DIVBN - Brushed Nickel
- ② Hot-Cold Handle - 160.PBV.TMPCP - Chrome  
Hot-Cold Handle - 160.PBV.TMPBN - Brushed Nickel



**PBV1005A | Pressure Balance Valve With Integrated 2-Way Diverter** Page 1 of 2

**SPECIFICATIONS:**

- Lift Handle to control volume. Turn left for hot, right for cold.
- Knob controls 2-way water diversion - shared output.
- Pressure Balance Valve Flow Rate - 5.5 GPM @ 60 PSI

**FAST SHIP FINISHES :**

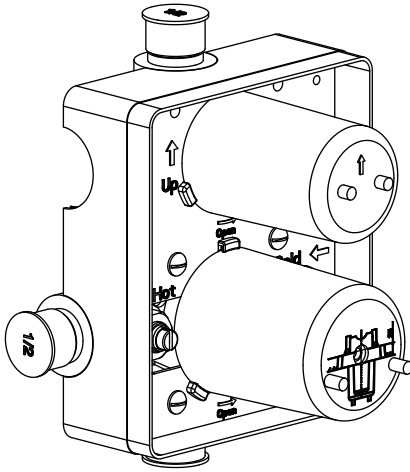
- Chrome - PBV1005ACP / Brushed Nickel - PBV1005ABN /

**STANDARDS:**

- ASME A112.18.1 / CSA B125.1

**WARRANTY:**

- Limited lifetime warranty to the original consumer purchaser against finish and workmanship

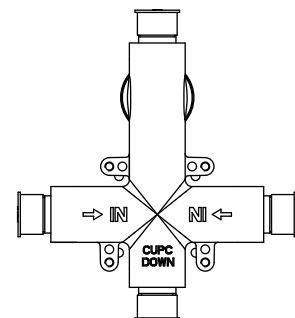
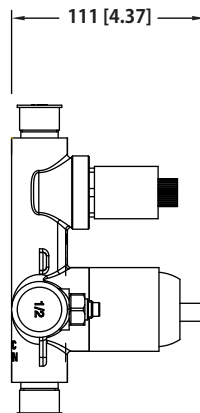
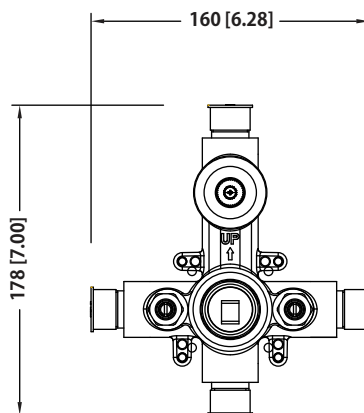
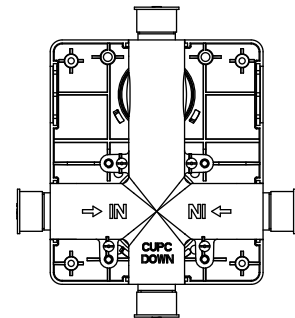
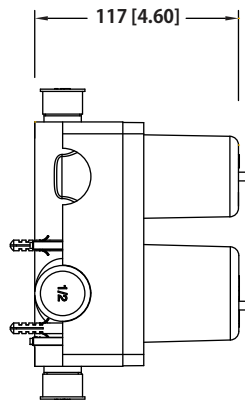
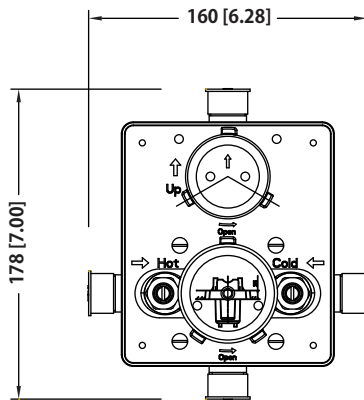


Legislation Compliance

ZeroDrip Technology



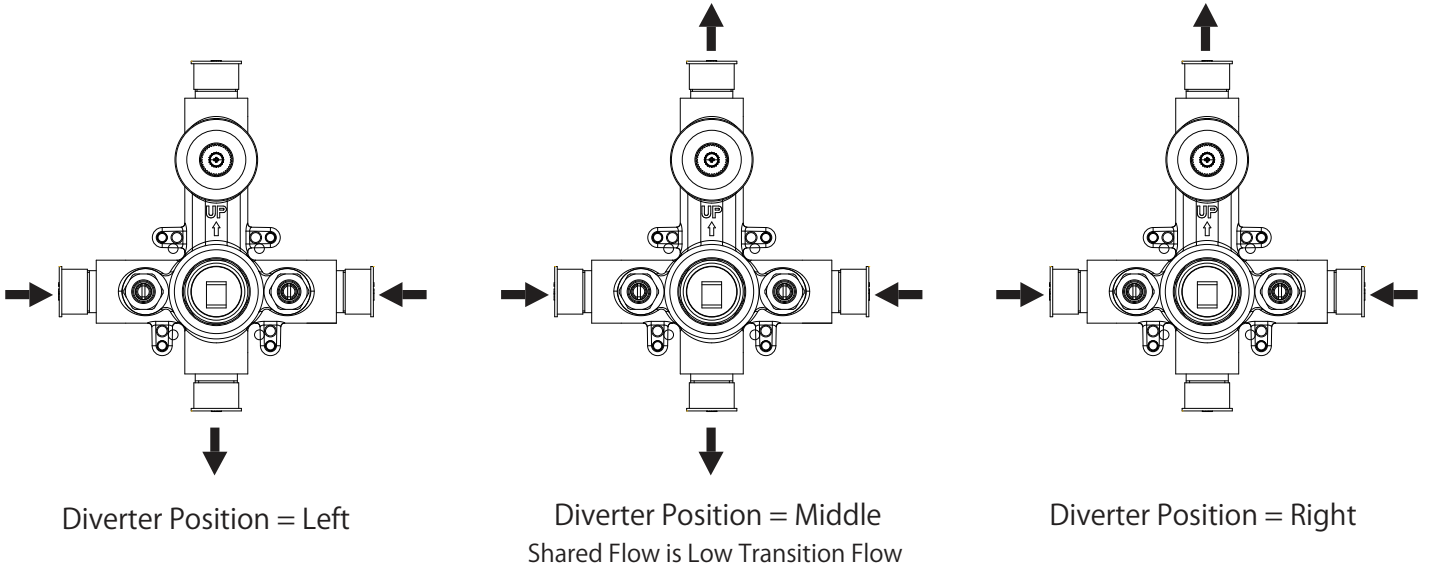
**Technical Diagram**



**PBV1005A | Pressure Balance Valve With Integrated 2-Way Diverter** Page 2 of 2



**Water Diversion Diagram**

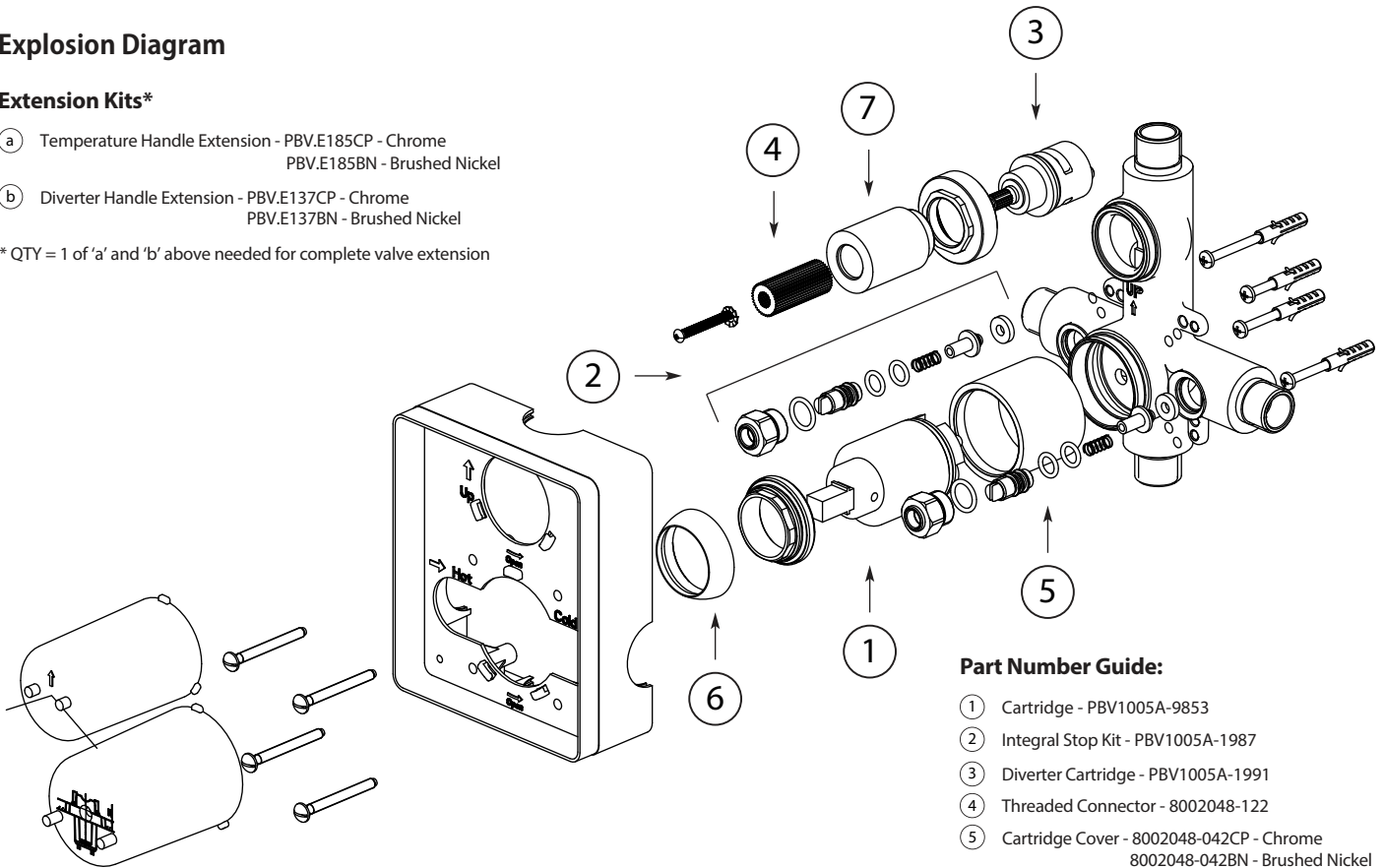


**Explosion Diagram**

**Extension Kits\***

- a) Temperature Handle Extension - PBV.E185CP - Chrome  
PBV.E185BN - Brushed Nickel
- b) Diverter Handle Extension - PBV.E137CP - Chrome  
PBV.E137BN - Brushed Nickel

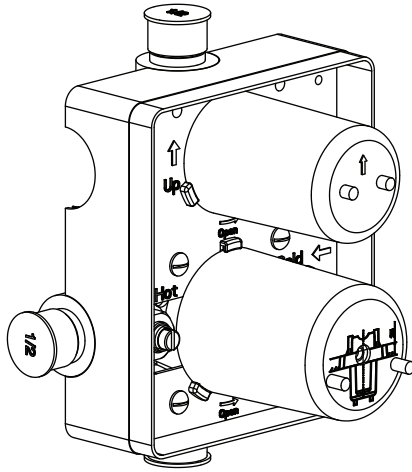
\* QTY = 1 of 'a' and 'b' above needed for complete valve extension



**Part Number Guide:**

- ① Cartridge - PBV1005A-9853
- ② Integral Stop Kit - PBV1005A-1987
- ③ Diverter Cartridge - PBV1005A-1991
- ④ Threaded Connector - 8002048-122
- ⑤ Cartridge Cover - 8002048-042CP - Chrome  
8002048-042BN - Brushed Nickel
- ⑥ Cartridge Bezel - 8002048-072CP - Chrome  
8002048-072BN - Brushed Nickel
- ⑦ Diverter Cover - 6032029-383CP - Chrome  
6032029-383BN - Brushed Nickel

**PBV1005A | Pressure Balance Valve With Integrated 2-Way Diverter** Page 1 of 2



**SPECIFICATIONS:**

- Lift Handle to control volume. Turn left for hot, right for cold.
- Knob controls 2-way water diversion - shared output.
- Pressure Balance Valve Flow Rate - 5.5 GPM @ 60 PSI
- Extension Available - PBV.2100E\*\*

**FAST SHIP FINISHES :**

- Chrome - PBV1005ACP / Brushed Nickel - PBV1005ABN /

**STANDARDS:**

- ASME A112.18.1 / CSA B125.1

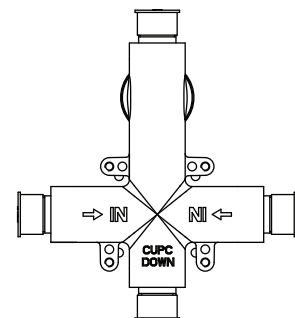
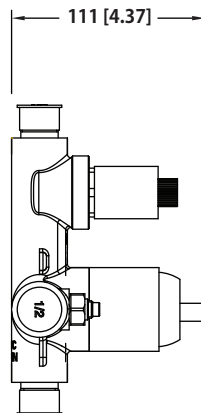
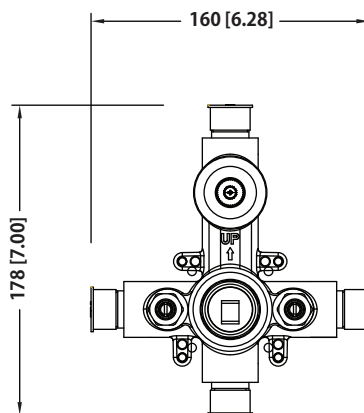
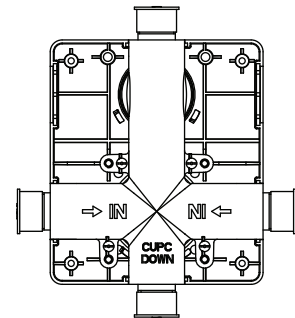
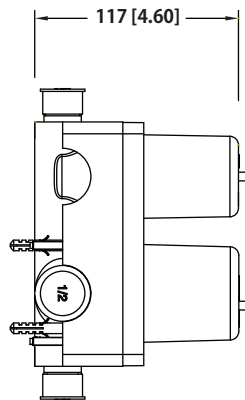
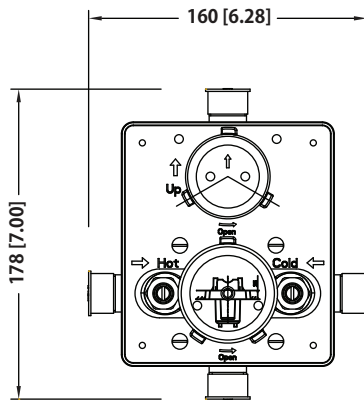
Legislation Compliance



ZeroDrip Technology



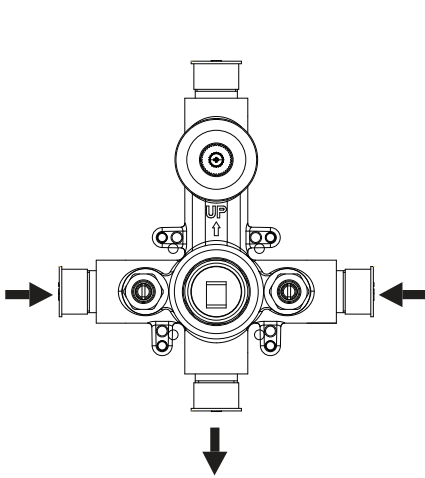
**Technical Diagram**



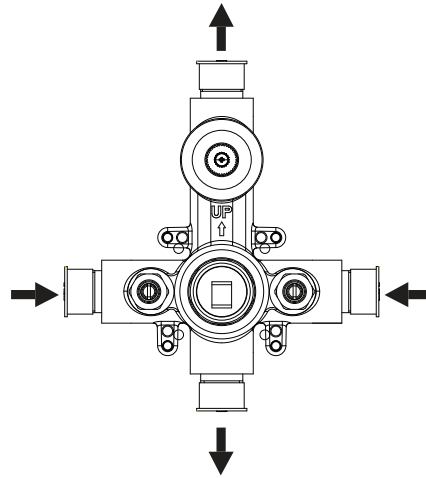
PBV1005A | Pressure Balance Valve With Integrated 2-Way Diverter Page 2 of 2



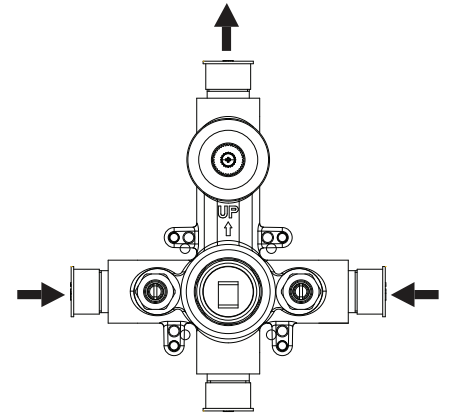
Water Diversion Diagram



Diverter Position = Left



Diverter Position = Middle  
Shared Flow is Low Transition Flow



Diverter Position = Right



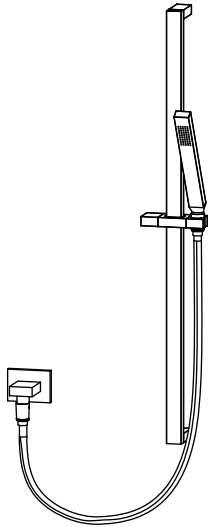
**SHS.1016 | Hand Shower Set with Slide Bar and Elbow**

**SPECIFICATIONS:**

- Solid Brass construction with single function hand held
- 1/2" female elbow connection
- Includes check valve with back flow prevention
- 1.8 GPM flow rate

**STANDARDS:**

- ASME A112.18.1 / CSA B125.1



Legislation Compliance



ZeroDrip Technology



**Technical Diagram**

