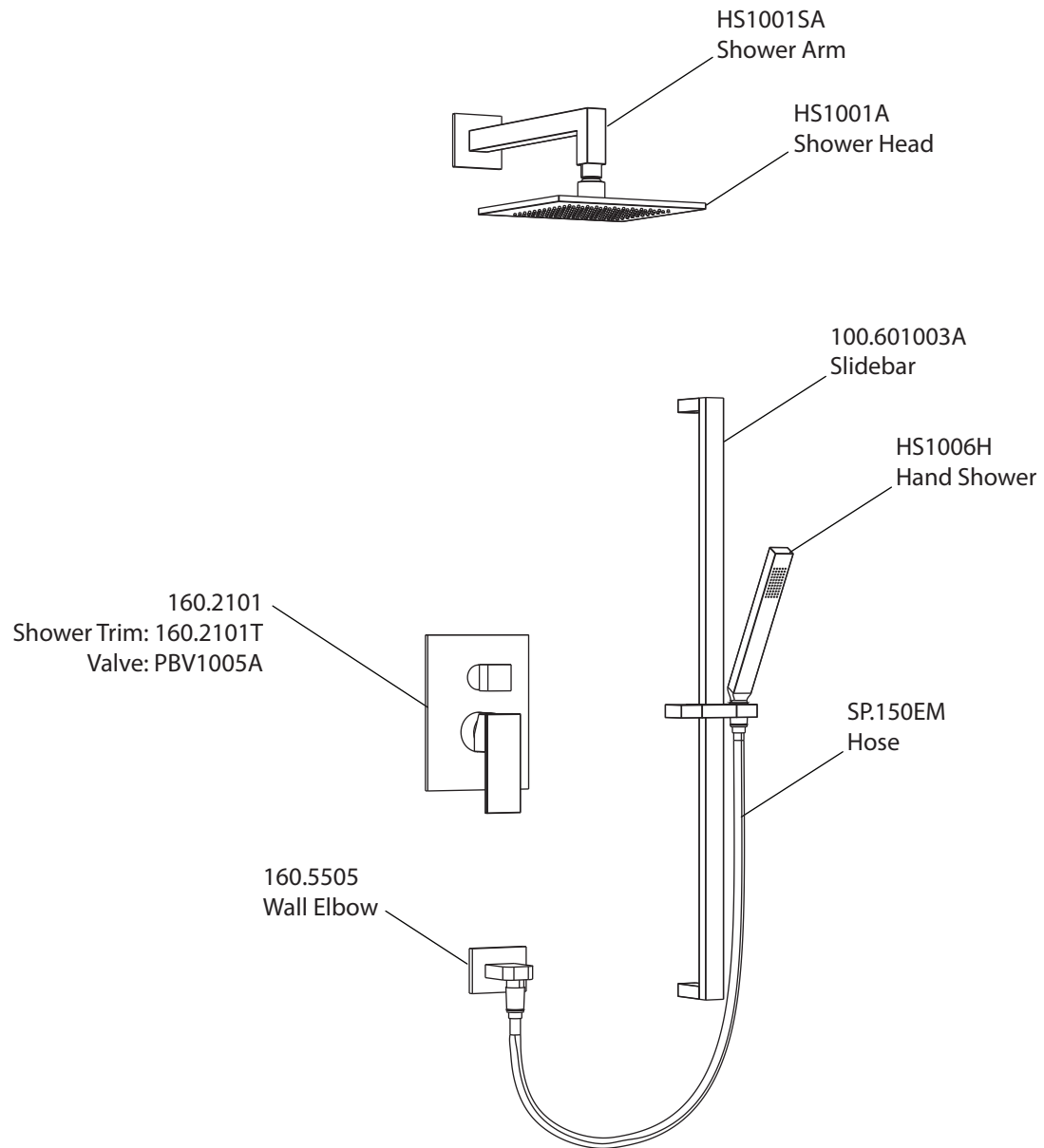


# Product Parts Breakdown



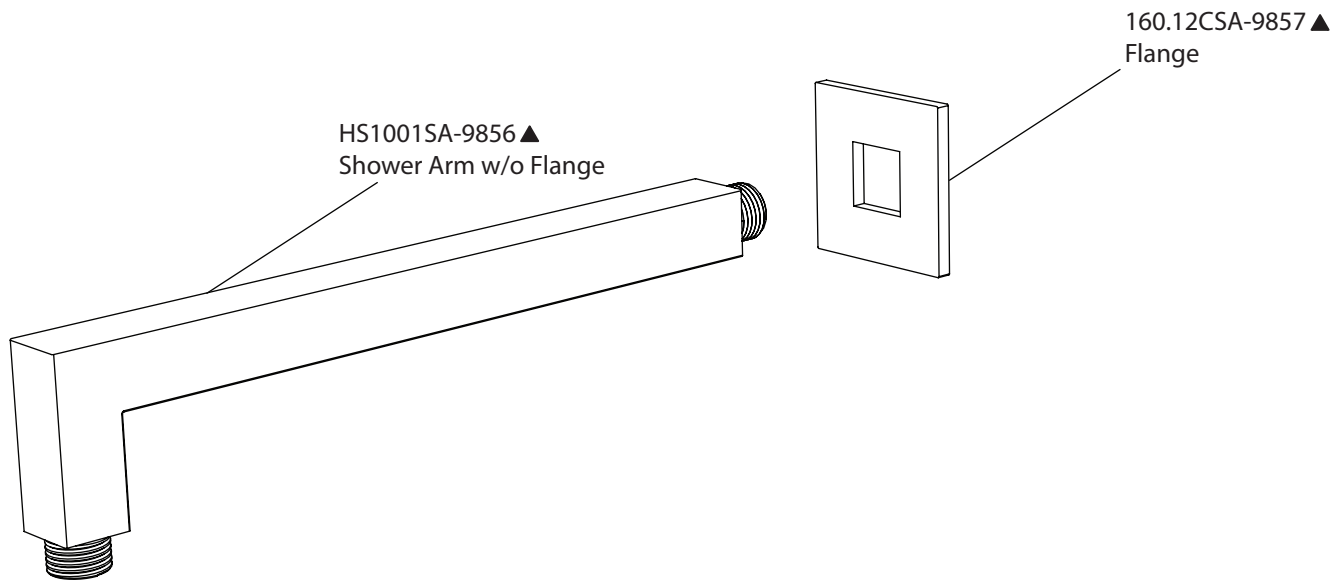
**isenberg**  
innovation+design

160.3350

Ver 2.53

# Product Parts Breakdown

▲ Specify Finish



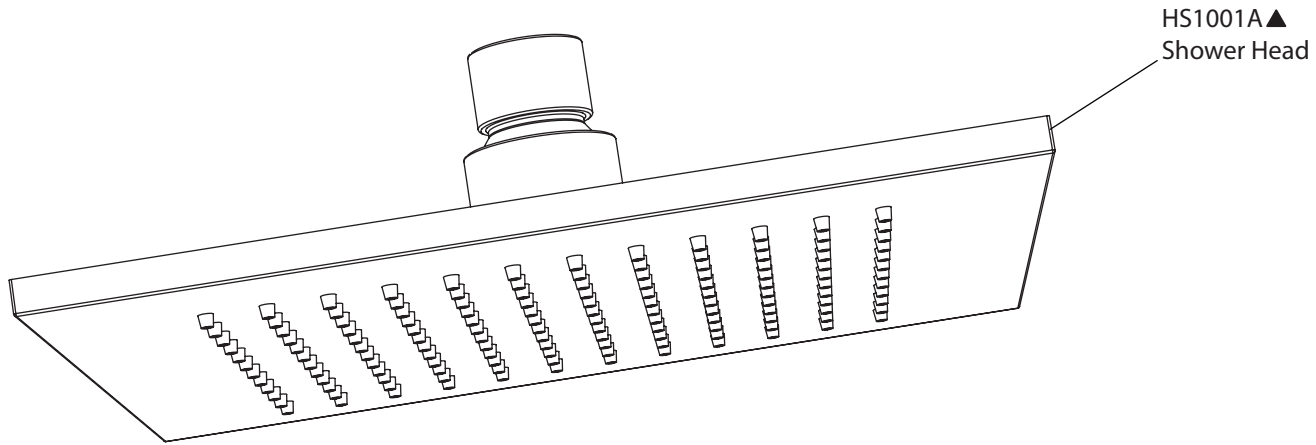
**isenberg**  
innovation+design

HS1001SA

Ver 2.53

# Product Parts Breakdown

Specify Finish



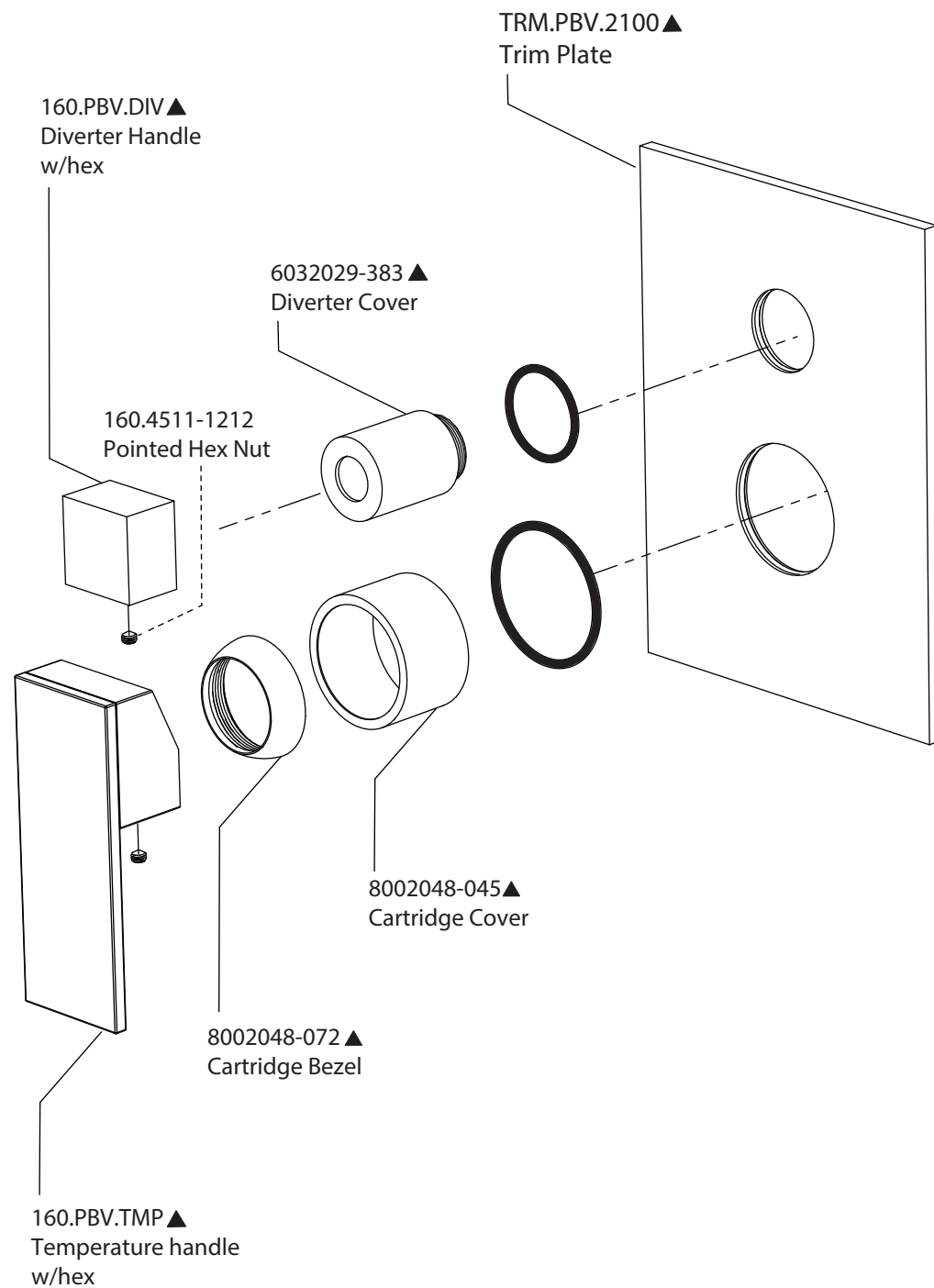
**isenberg**  
innovation+design

HS1001A

Ver 2.53

# Product Parts Breakdown

▲ Specify Finish

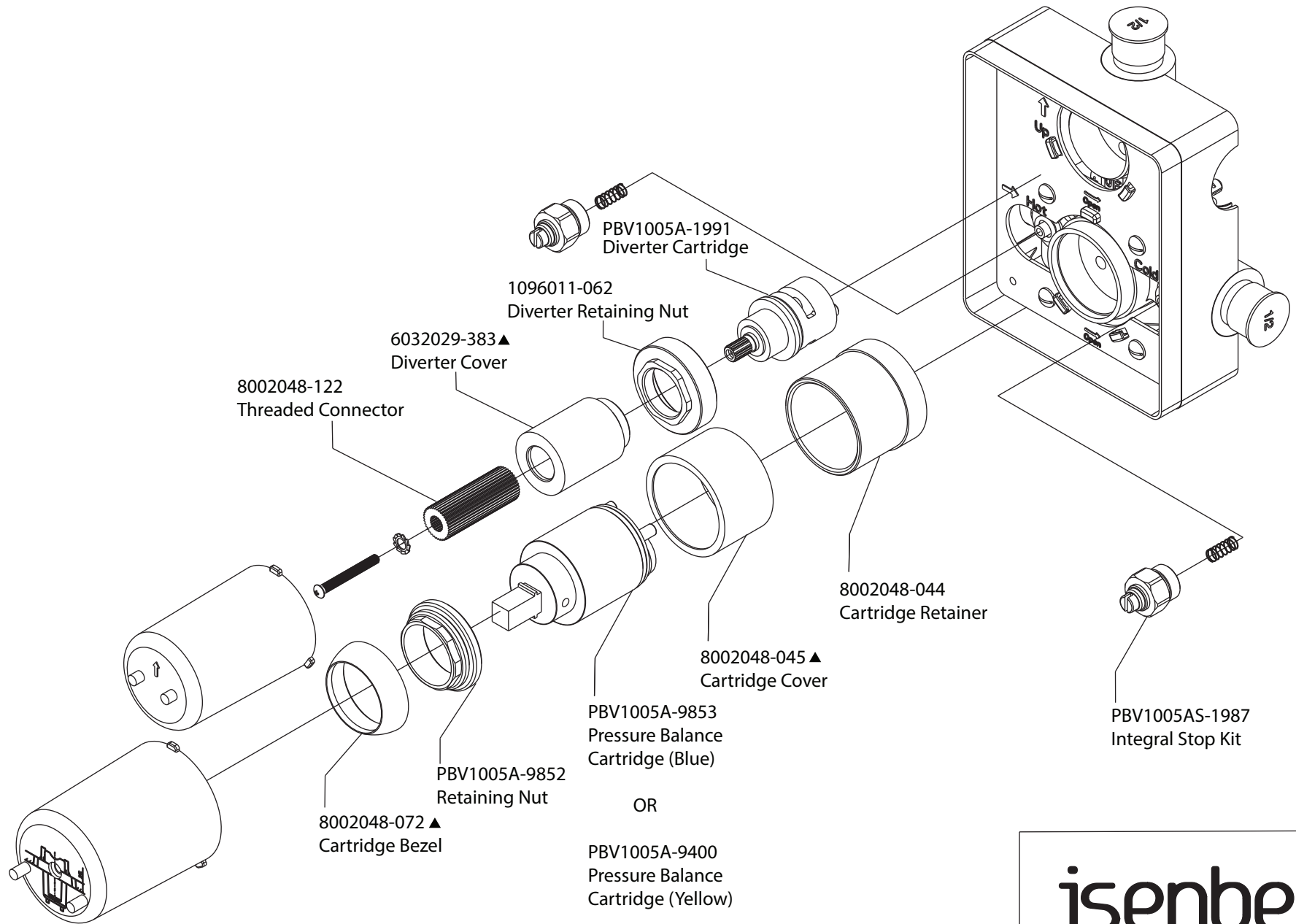


**isenberg**  
innovation+design

160.2101T

Ver 2.58

# Product Parts Breakdown

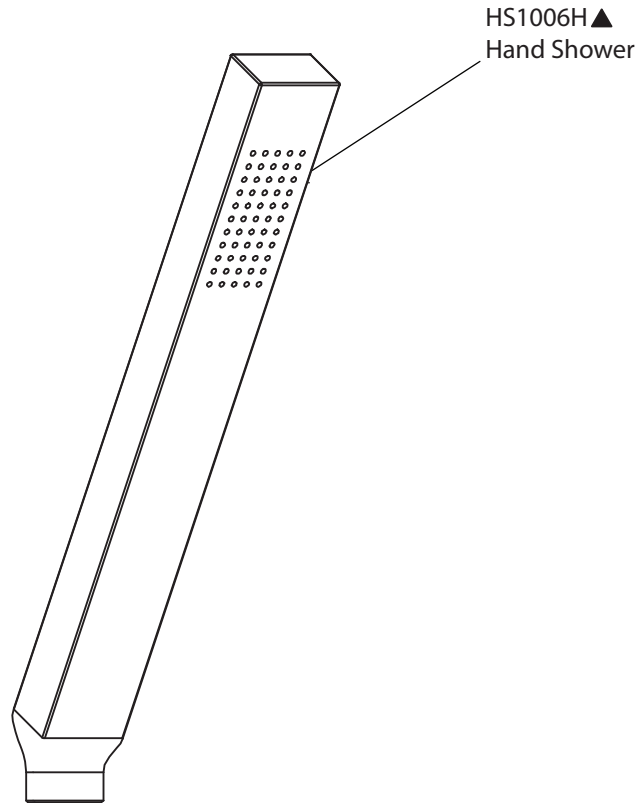


**isenberg**  
innovation+design

PBV1005A

# Product Parts Breakdown

▲ Specify Finish

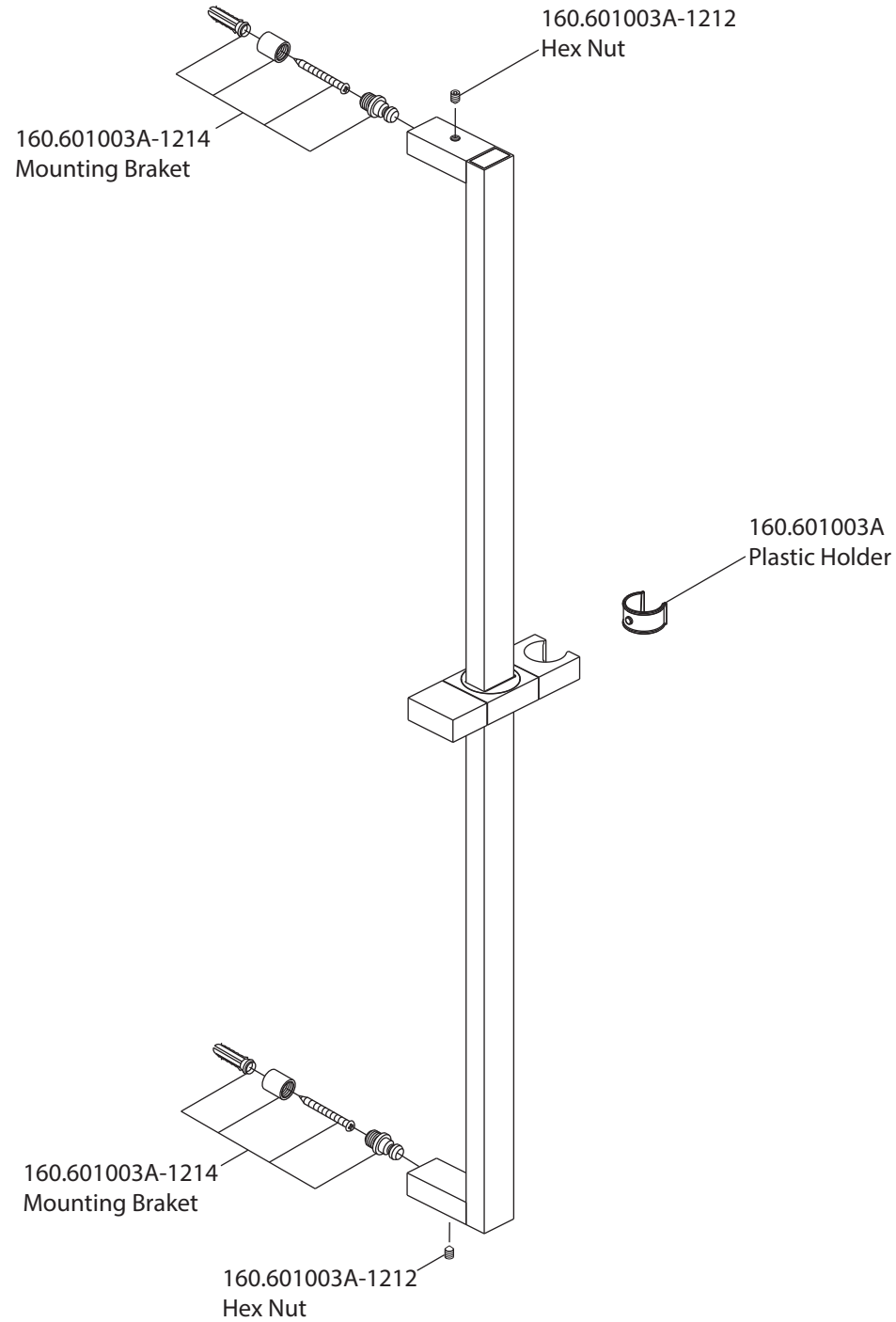


**isenberg**  
innovation+design

HS1006H

Ver 2.55

# Product Parts Breakdown

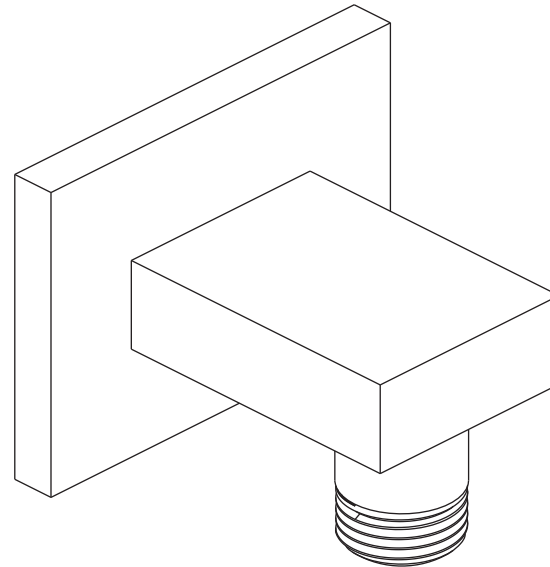
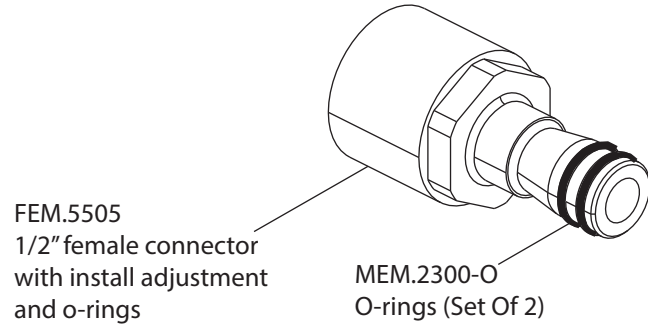


**isenberg**  
innovation+design

100.601003A

Ver 2.55

# Product Parts Breakdown



**isenberg**  
innovation+design

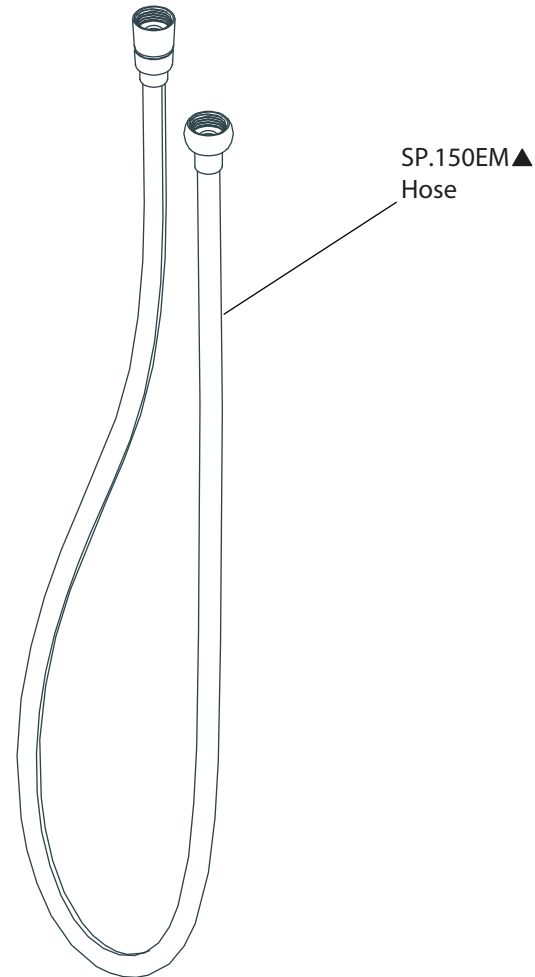
160.5505

Ver 2.53



# Product Parts Breakdown

▲ Specify Finish



**isenberg**  
innovation+design

SP.150EM

Ver 2.55