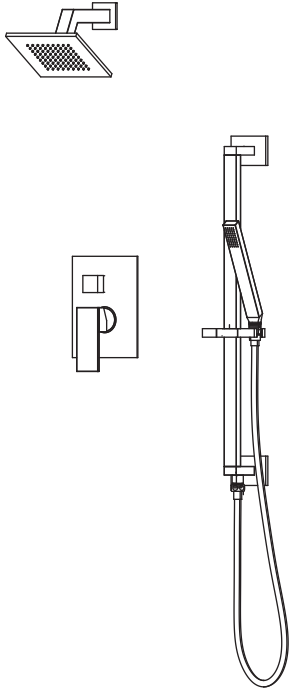


160.3400 | Two Output Shower W/ Rain Head & Hand Held



COMPONENTS

- HS1020 - 7" Shower Arm
- HSB.6S - 6" Shower Head
- 196.2101T - Shower Trim
- PBV.1005A - Shower Valve
- HS1006H - Hand Held
- 160.601024A - Slide Bar w/ Elbow
- SP.150EM - 1.5m Hose

SHOWER VALVE:

- Pressure balance shower valve
- Valve includes service stops
- Lift bottom handle to control volume
- Turn left for hot, right for cold.
- Top handle controls water diversion
- 1/2" NPT

SHOWER HEAD:

- Solid brass construction
- 1.8 GPM flow rate

STANDARDS:

- ASME A112.18.1 / CSA B125.1

See individual component specification sheets on following pages for further details.



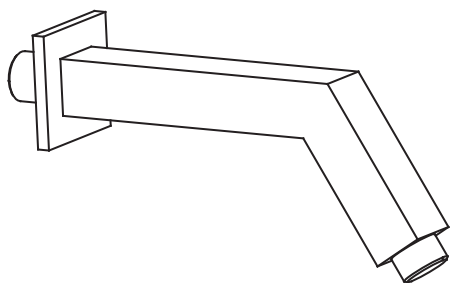
## HS1020 | Square Shower Arm

### SPECIFICATIONS:

- Solid Brass Shower Arm
- With Sliding Flange

### FAST SHIP FINISHES :

- Chrome - HS1020CP / Brushed Nickel - HS1020BN



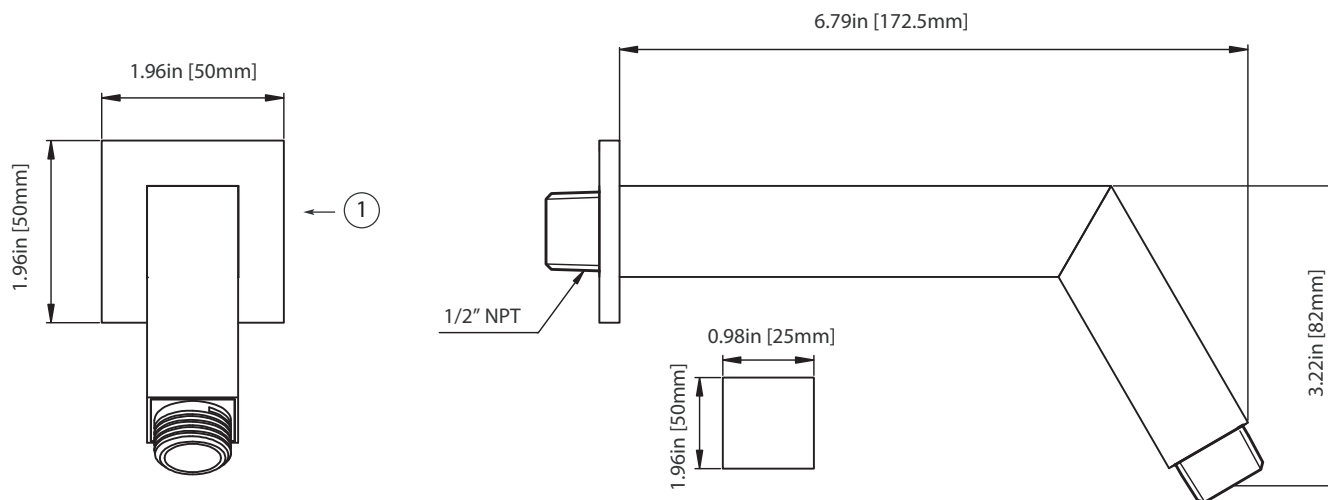
Legislation Compliance



ZeroDrip Technology



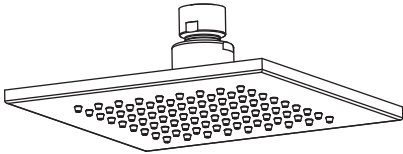
### Technical Diagram



HSB.6S | 6" Brass Shower Head

SPECIFICATIONS:

- Solid Brass Shower Head
- Scrub rubber nozzles to easily clean water sediment
- 1.8 GPM Flow Rate
- 81 Nozzles
- Use with HS1020 Shower Arm



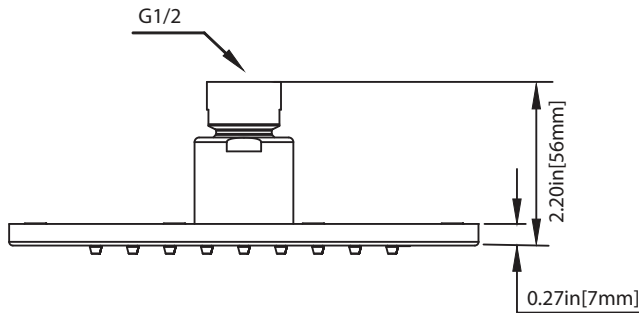
Legislation Compliance



ZeroDrip Technology

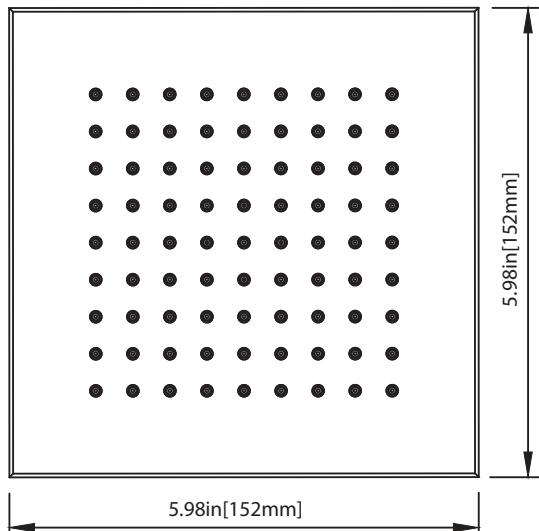
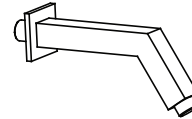


Technical Diagram



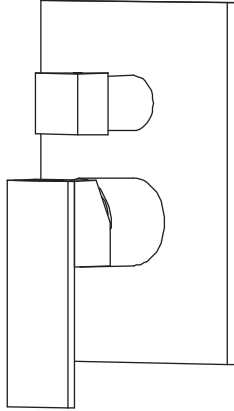
MATCHING SHOWER ARMS:

- 1) HS1020



160.2101T | Tub / Shower Trim

SPECIFICATIONS:



- Solid brass construction
- Valve not included- trim only
- Lift Handle to control volume. Turn left for hot, right for cold.
- Small knob controls 2-way water diversion

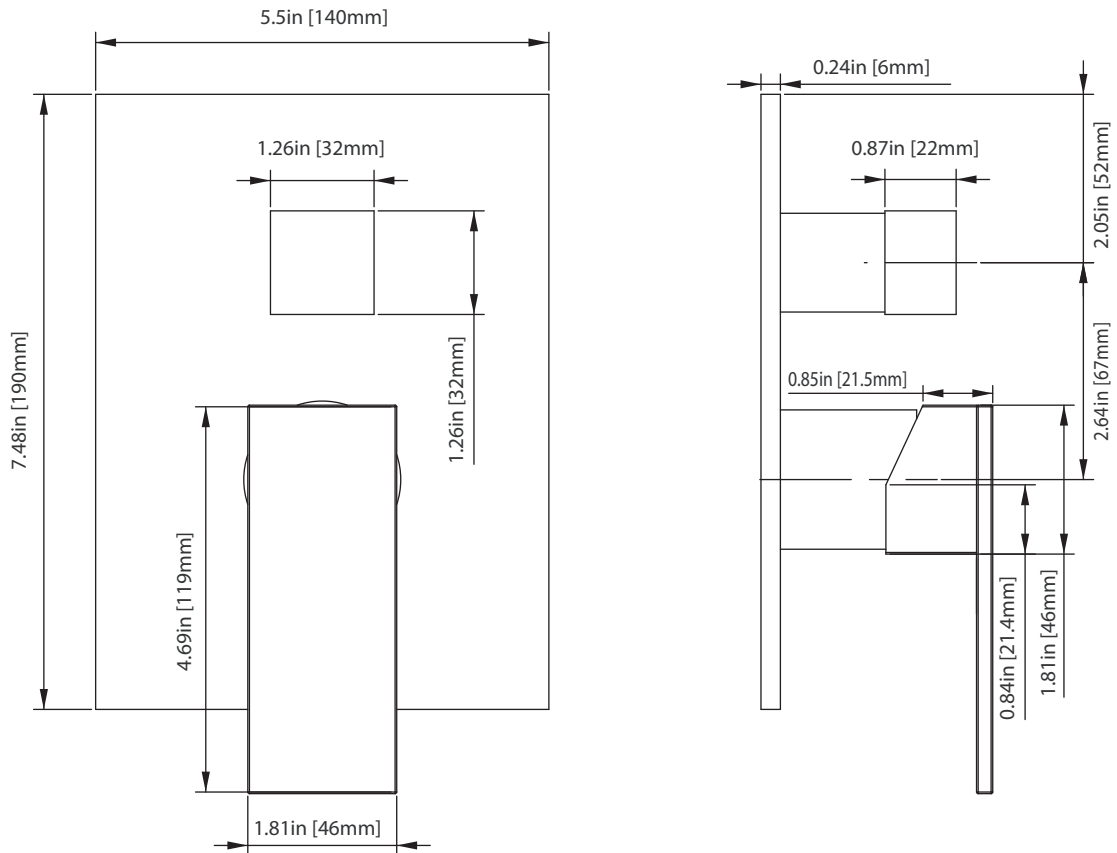
Legislation Compliance



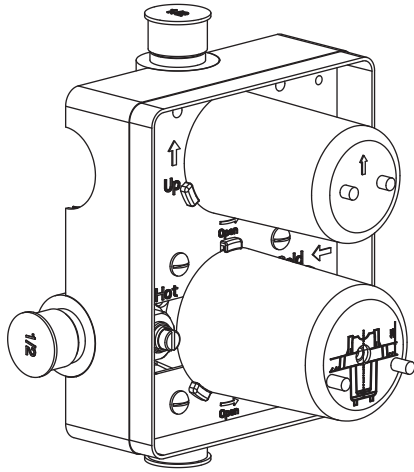
ZeroDrip Technology



Technical Diagram



**PBV1005A | Pressure Balance Valve With Integrated 2-Way Diverter**



**SPECIFICATIONS:**

- Lift Handle to control volume. Turn left for hot, right for cold.
- Knob controls 2-way water diversion - shared output.
- Pressure Balance Valve Flow Rate - 5.5 GPM @ 60 PSI

**FAST SHIP FINISHES :**

- Chrome - PBV1005ACP / Brushed Nickel - PBV1005ABN /

**STANDARDS:**

- ASME A112.18.1 / CSA B125.1

**WARRANTY:**

- Limited lifetime warranty to the original consumer purchaser against finish and workmanship

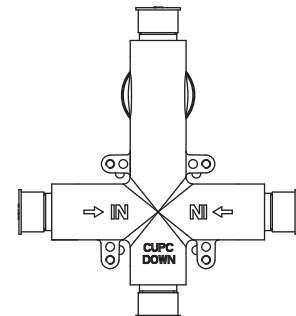
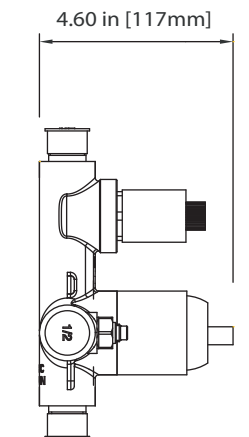
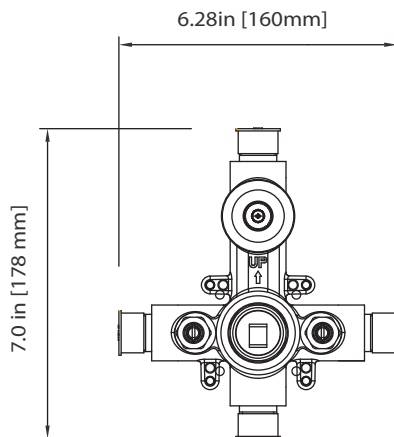
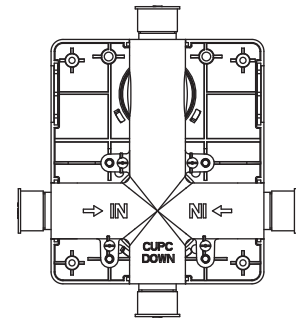
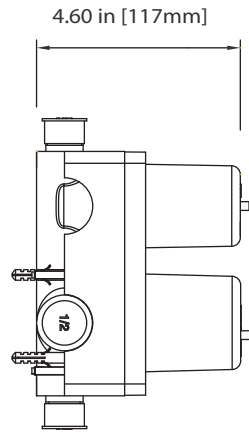
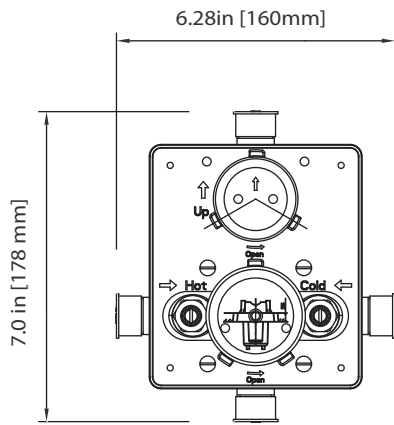
Legislation Compliance



ZeroDrip Technology



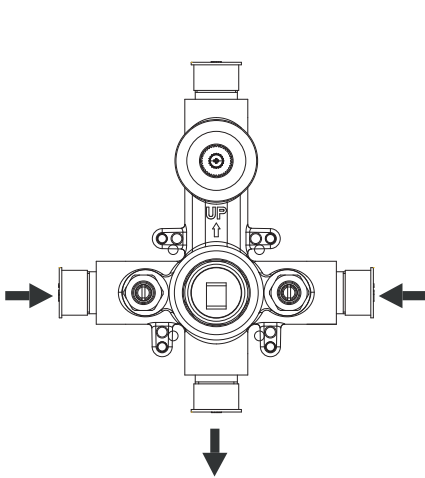
**Technical Diagram**



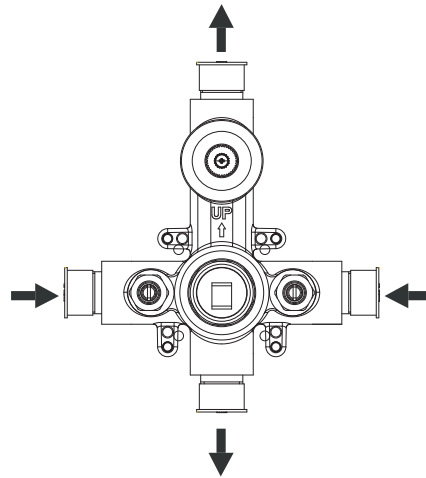
PBV1005A | Pressure Balance Valve With Integrated 2-Way Diverter



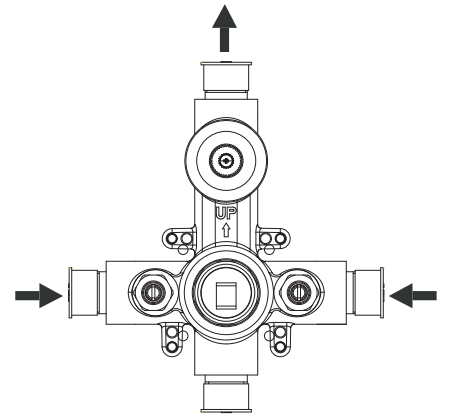
Water Diversion Diagram



Diverter Position = Left



Diverter Position = Middle  
Shared Flow is Low Transition Flow

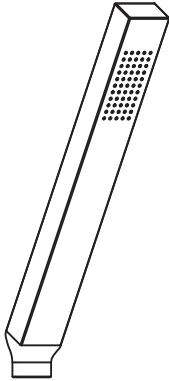


Diverter Position = Right

HS1006H | Solid Brass Hand Shower

SPECIFICATIONS:

- Solid Brass Construction
- 1.8 GPM Flow Rate
- With back flow prevention check valve



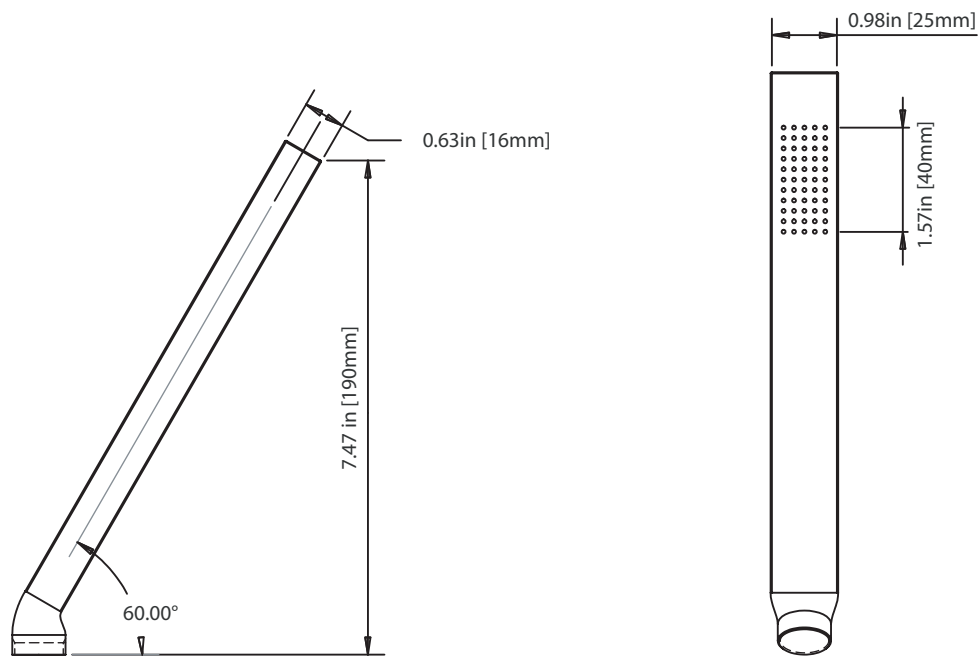
Legislation Compliance



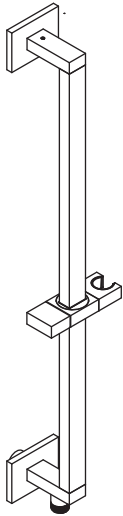
ZeroDrip Technology



Technical Diagram



160.601024A | Slide Bar With Integrated Wall Elbow



SPECIFICATIONS:

- Solid Brass Construction
- Easy front of wall installation
- Integrated wall elbow
- 1/2" female connection with adjustable slide on installation
- Includes check valve with back-flow prevention

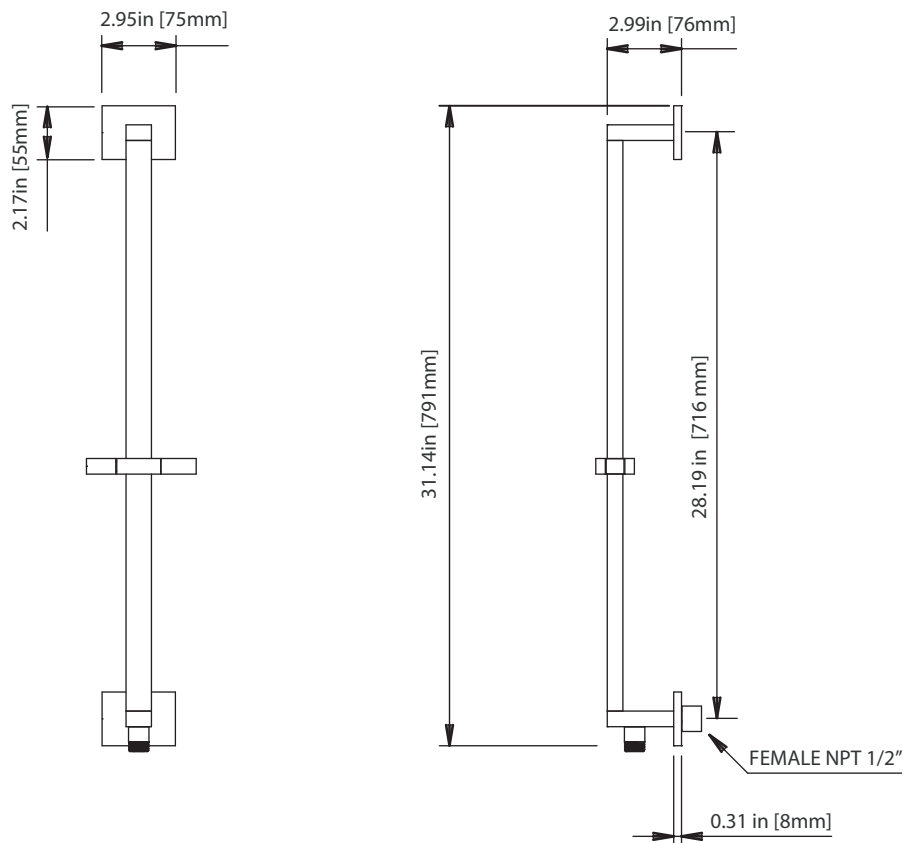
Legislation Compliance



ZeroDrip Technology



Technical Diagram





SP.150EM | Easy Maneuver Hose

SPECIFICATIONS:

- Stainless steel construction
- G-1/2" connection
- 1.5m length



Legislation Compliance



ZeroDrip Technology



Technical Diagram

