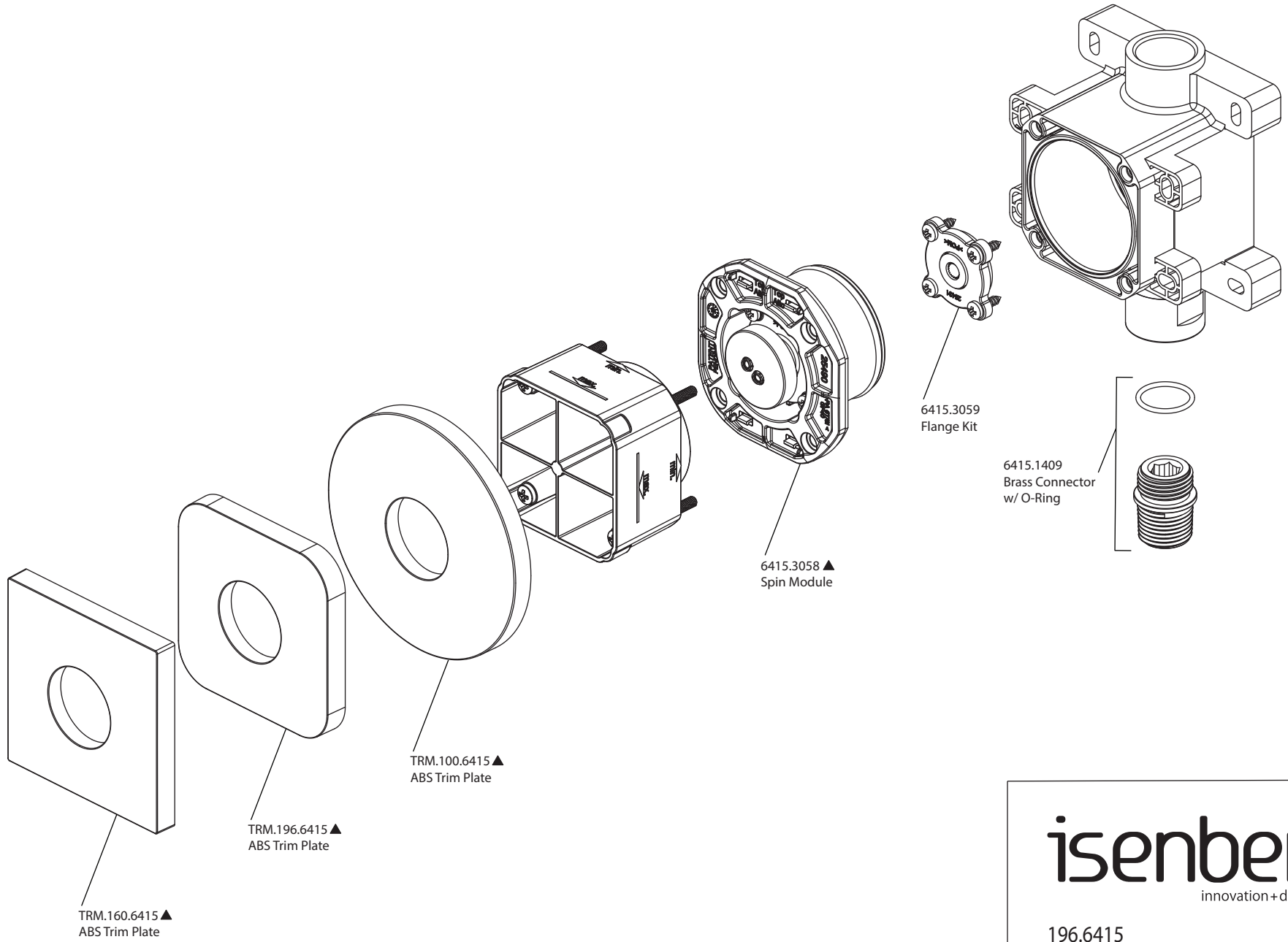


Product Parts Breakdown



isenberg
innovation+design

196.6415
160.6415
100.6415

Ver 2.53