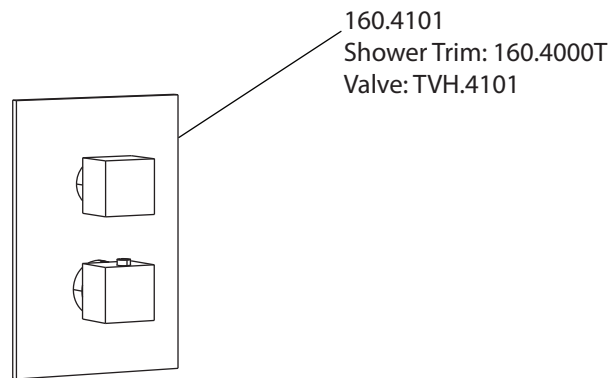
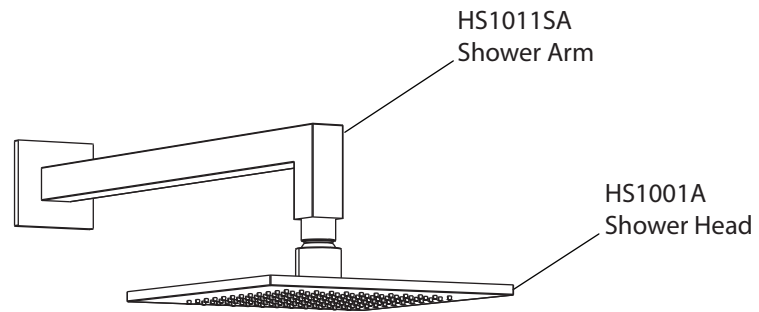


Product Parts Breakdown

▲ Specify Finish

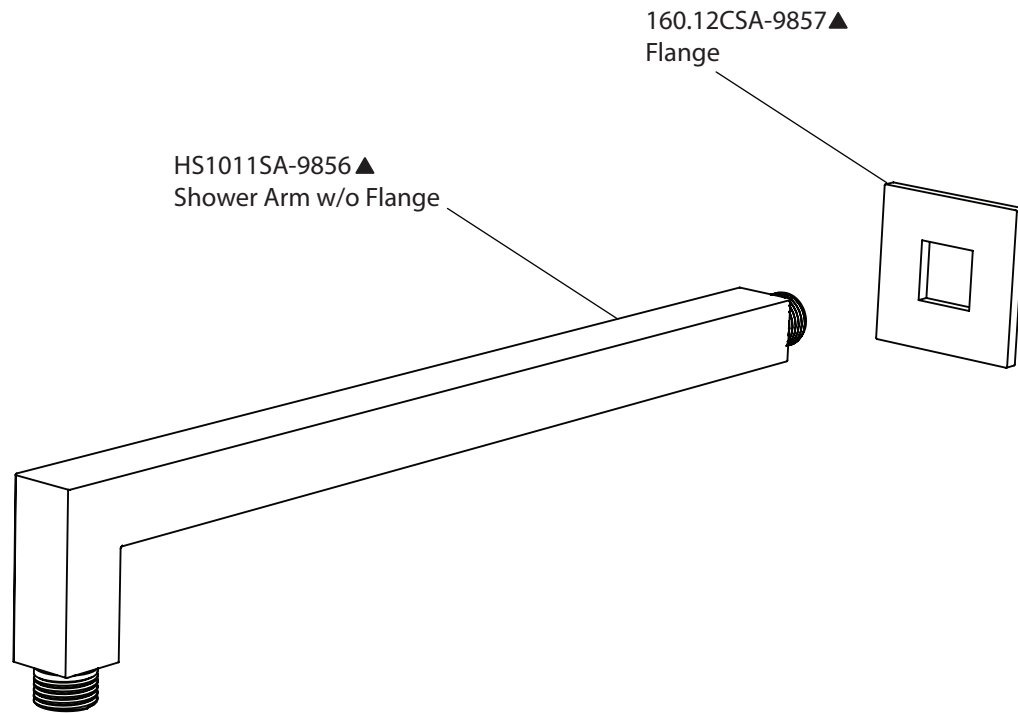


isenberg
innovation+design

160.7000

Product Parts Breakdown

▲ Specify Finish



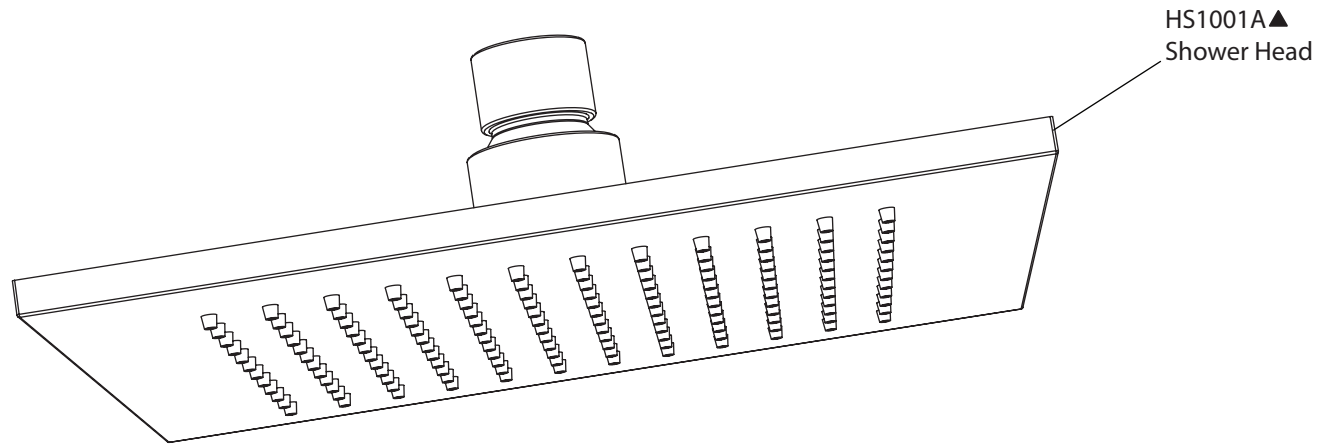
isenberg
innovation+design

HS1011SA

Ver 2.53

Product Parts Breakdown

▲ Specify Finish

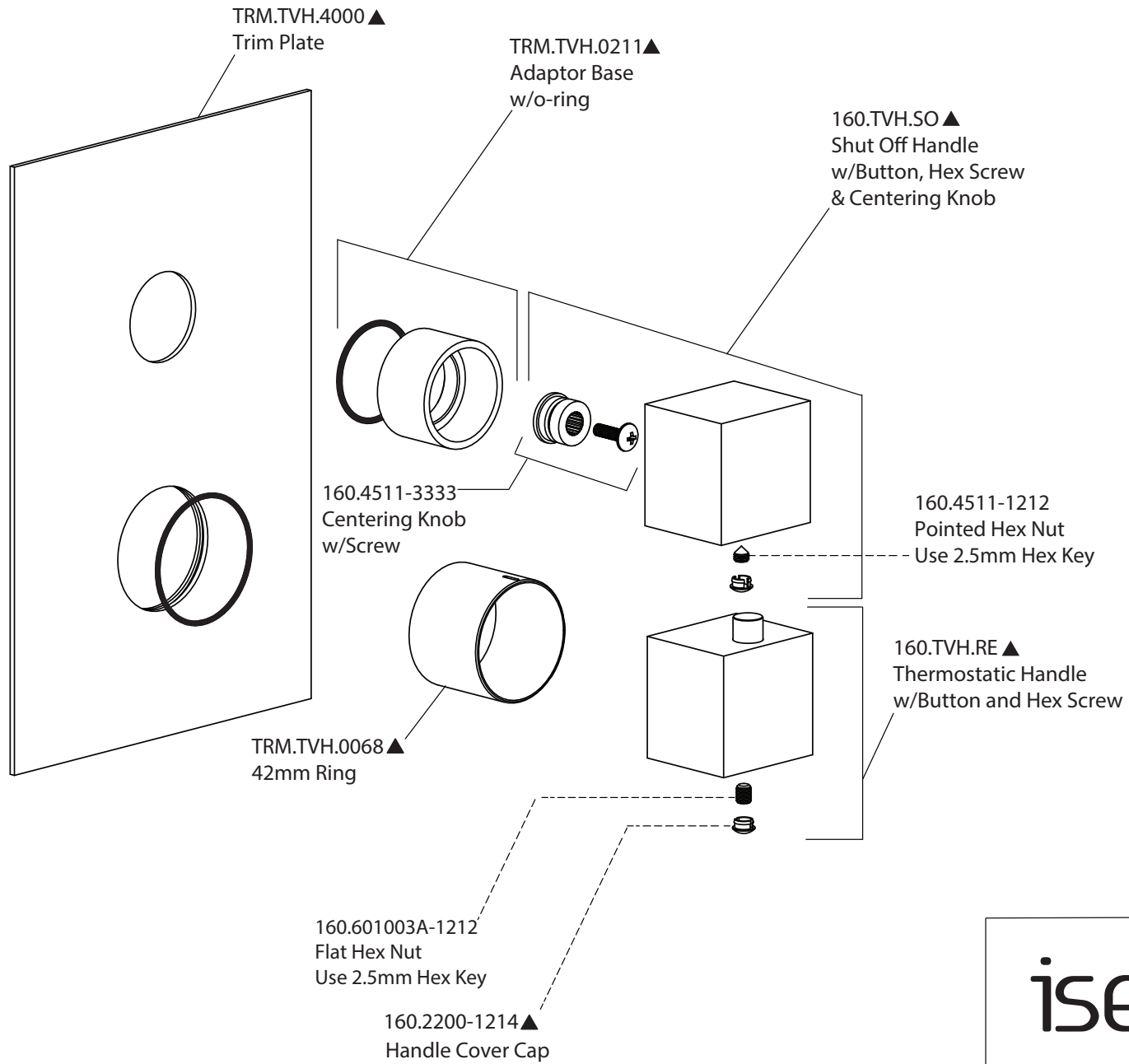


isenberg
innovation+design

HS1001A

Ver 2.53

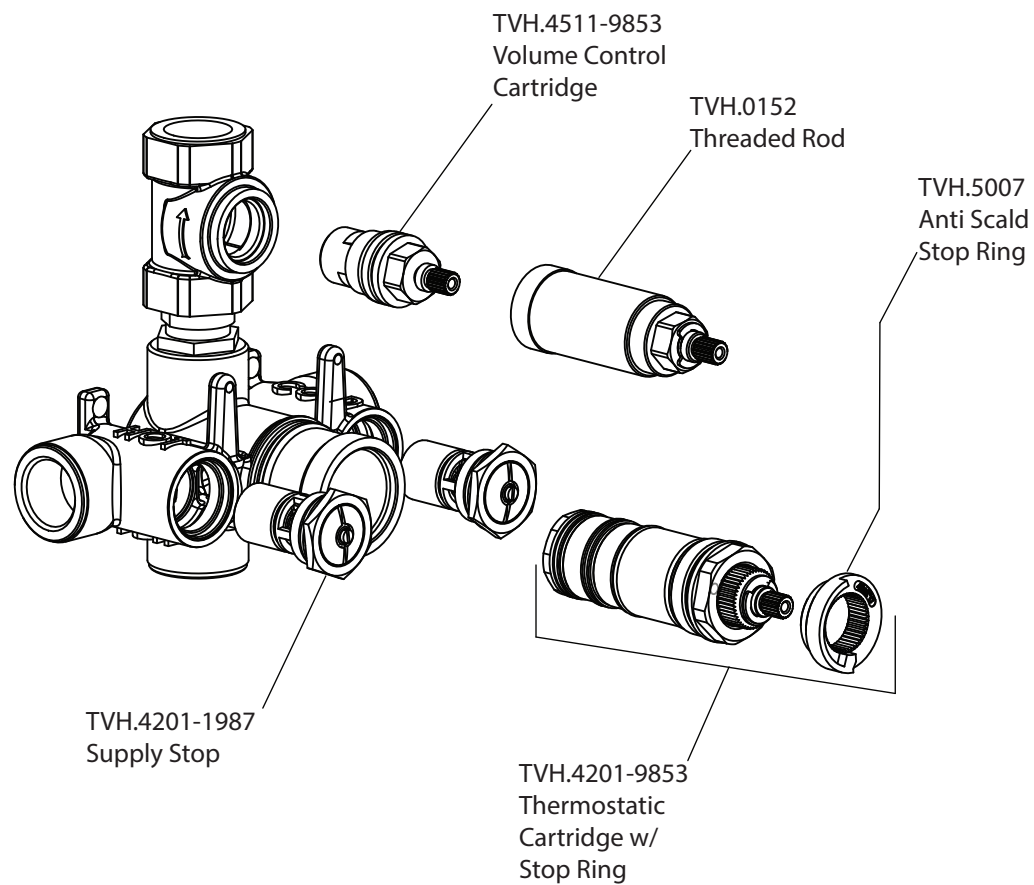
Product Parts Breakdown



isenberg
innovation+design

160.4000T

Product Parts Breakdown



isenberg
innovation+design

TVH.4101

Ver 2.53