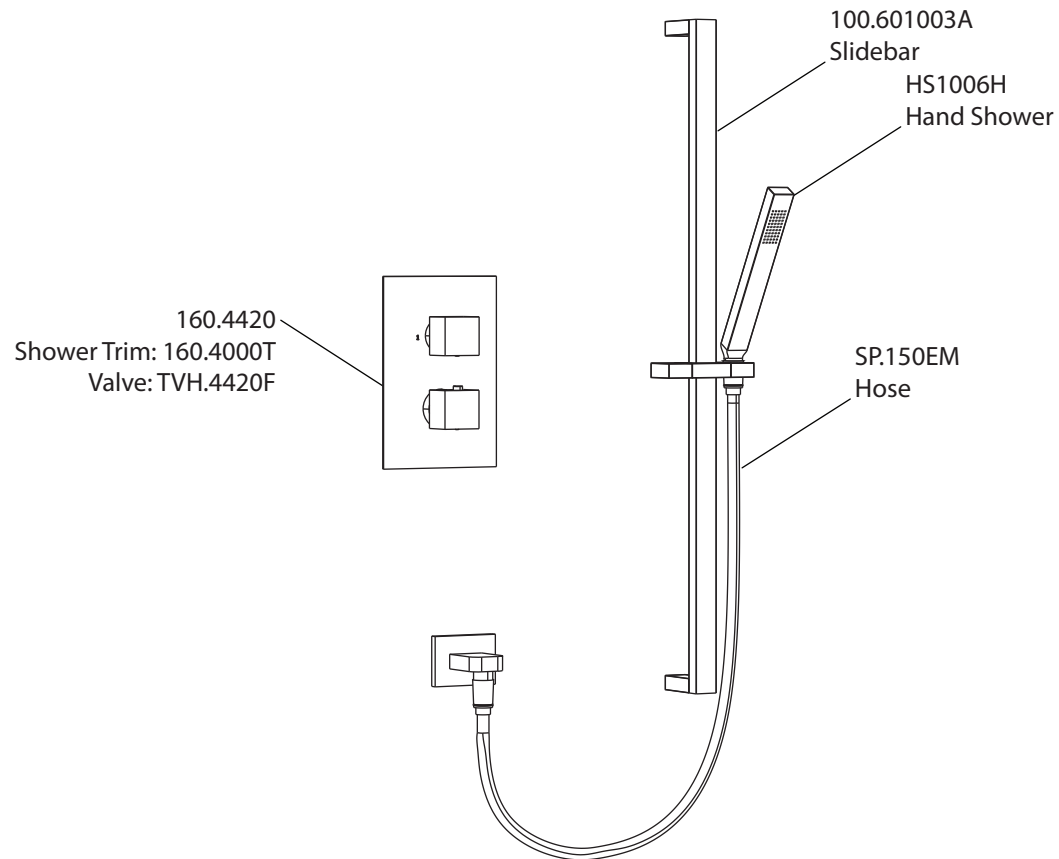
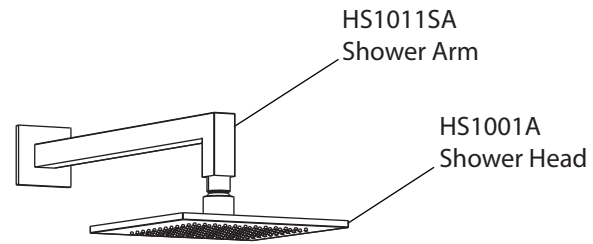


# Product Parts Breakdown

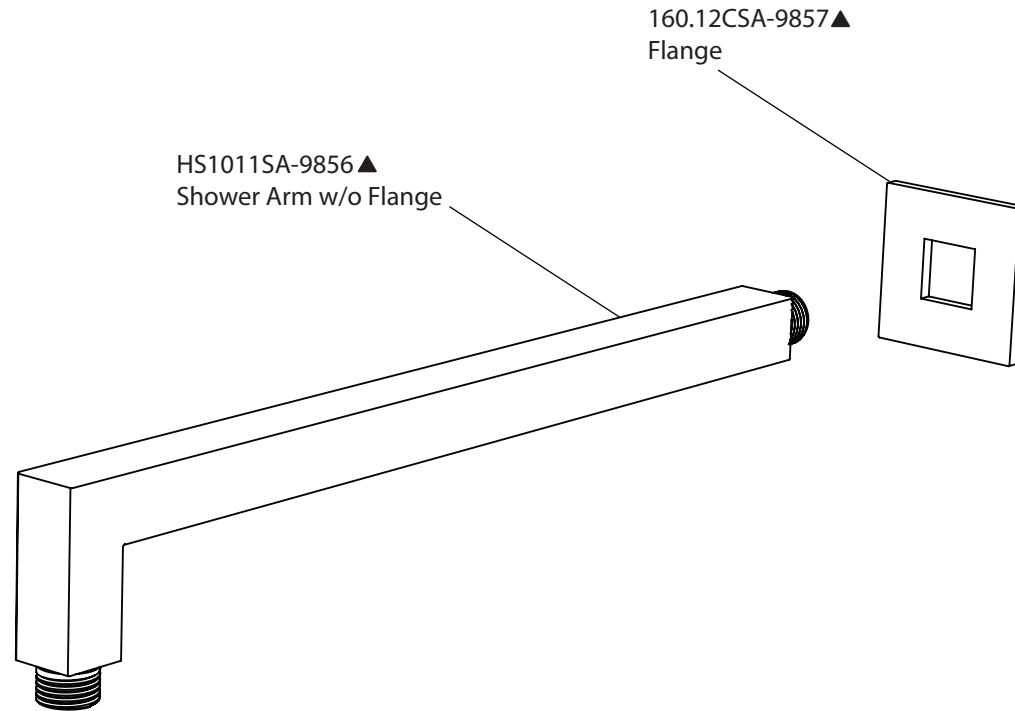


**isenberg**  
innovation+design

160.7100

# Product Parts Breakdown

▲ Specify Finish



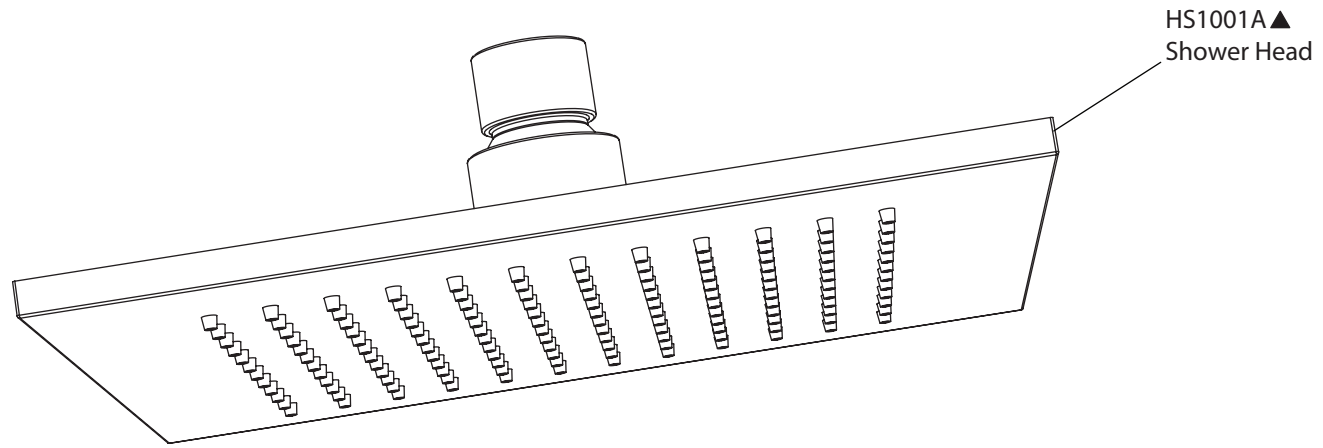
**isenberg**  
innovation+design

HS1011SA

Ver 2.53

# Product Parts Breakdown

▲ Specify Finish



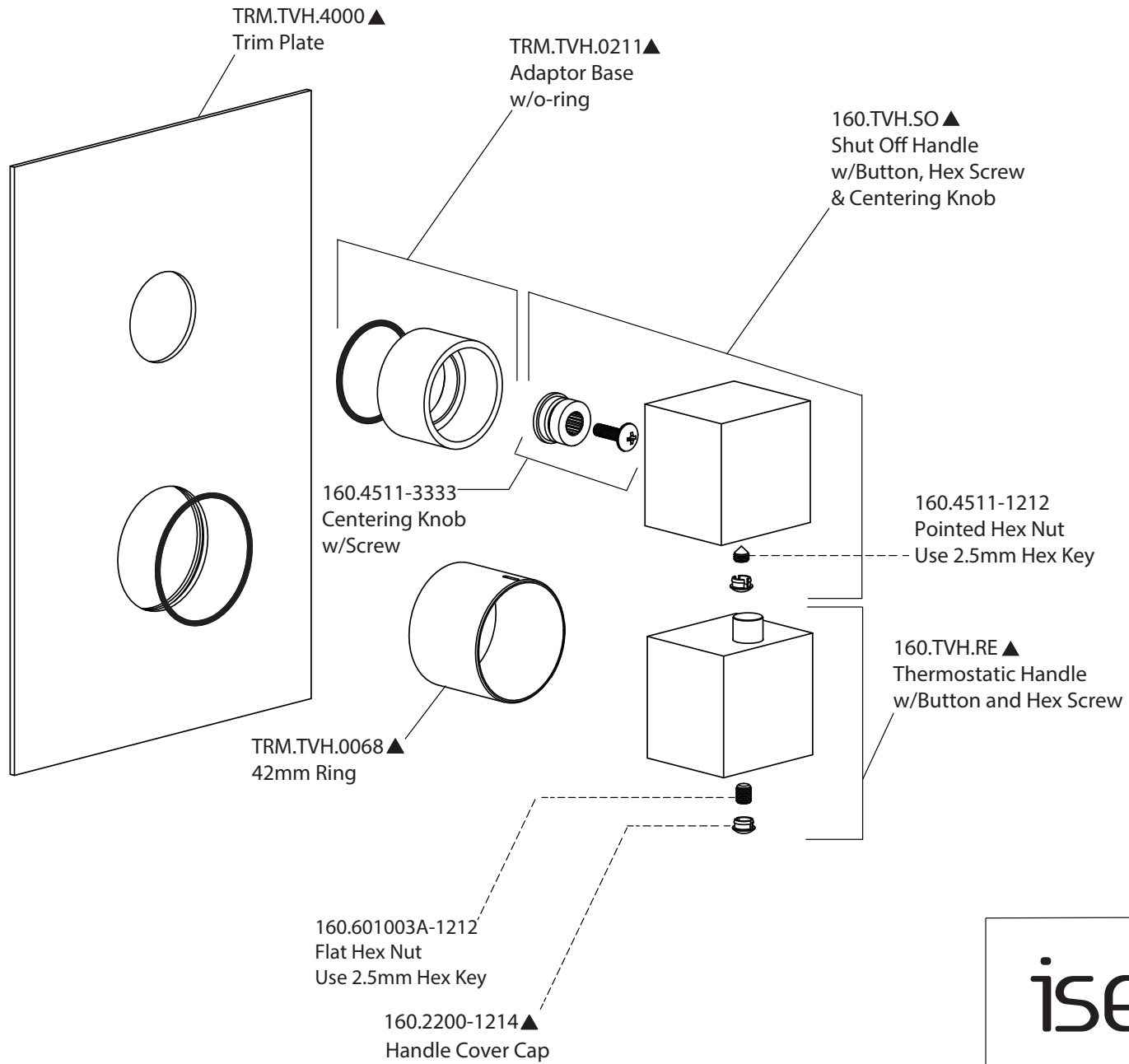
HS1001A▲  
Shower Head

**isenberg**  
innovation+design

HS1001A

Ver 2.53

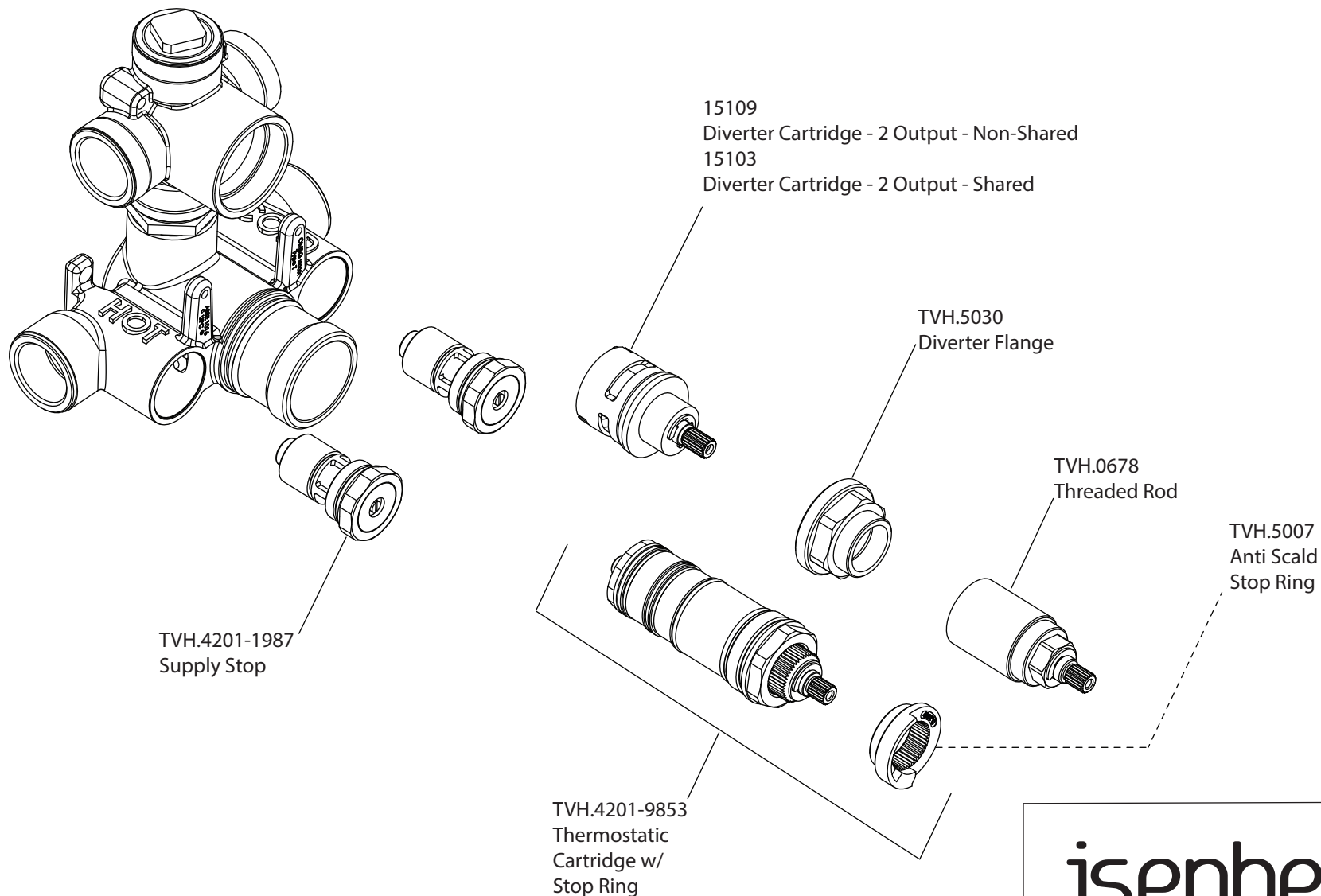
# Product Parts Breakdown



**isenberg**  
innovation+design

160.4000T

# Product Parts Breakdown



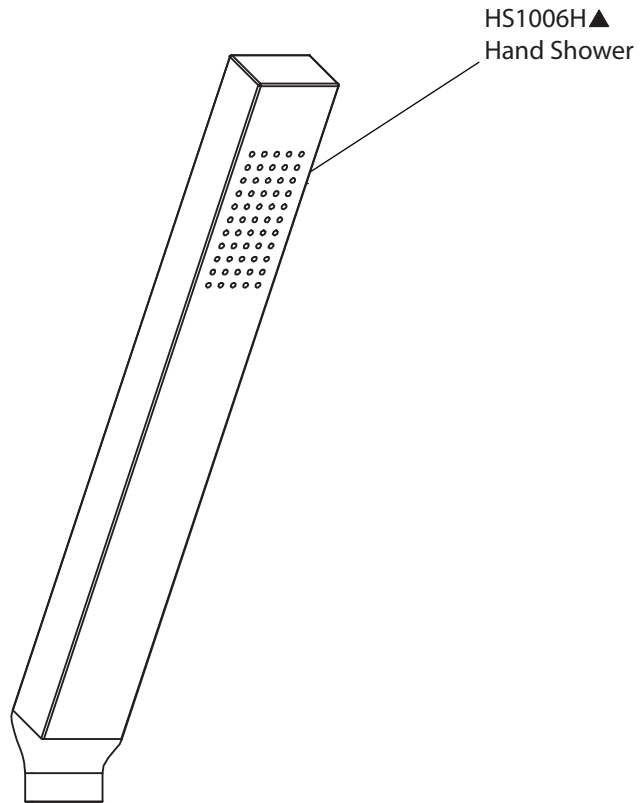
**isenberg**  
innovation+design

TVH.4420F

Ver 2.54

# Product Parts Breakdown

▲ Specify Finish

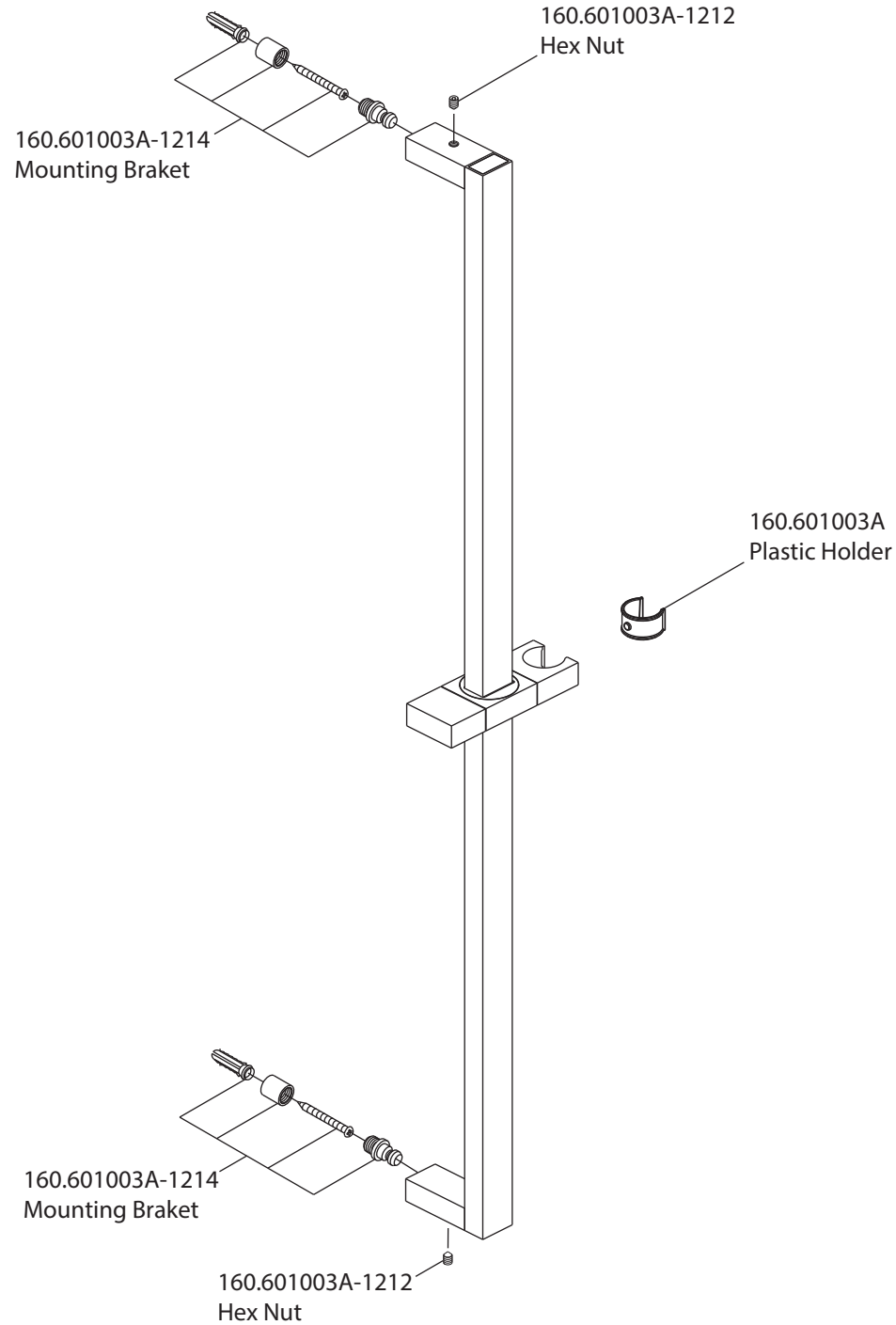


**isenberg**  
innovation+design

HS1006H

Ver 2.55

# Product Parts Breakdown



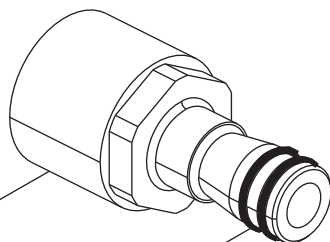
**isenberg**  
innovation+design

160.601003A

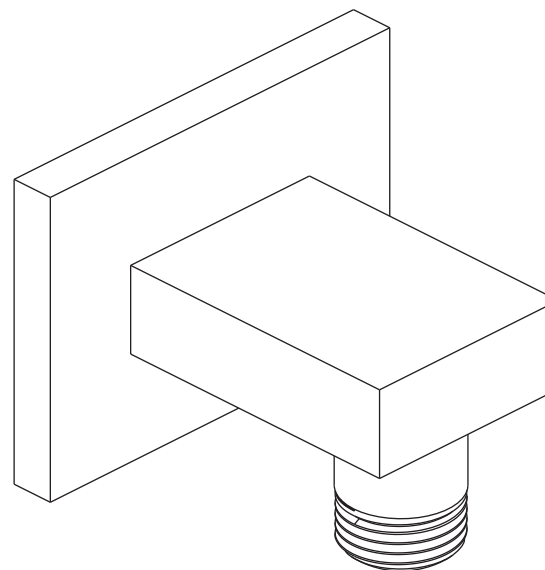
Ver 2.54

# Product Parts Breakdown

FEM.5505  
1/2" female connector  
with install adjustment  
and o-rings



MEM.2300-O  
O-rings (Set Of 2)



HEX.101  
Pointed Hex  
Screw

**isenberg**  
innovation+design

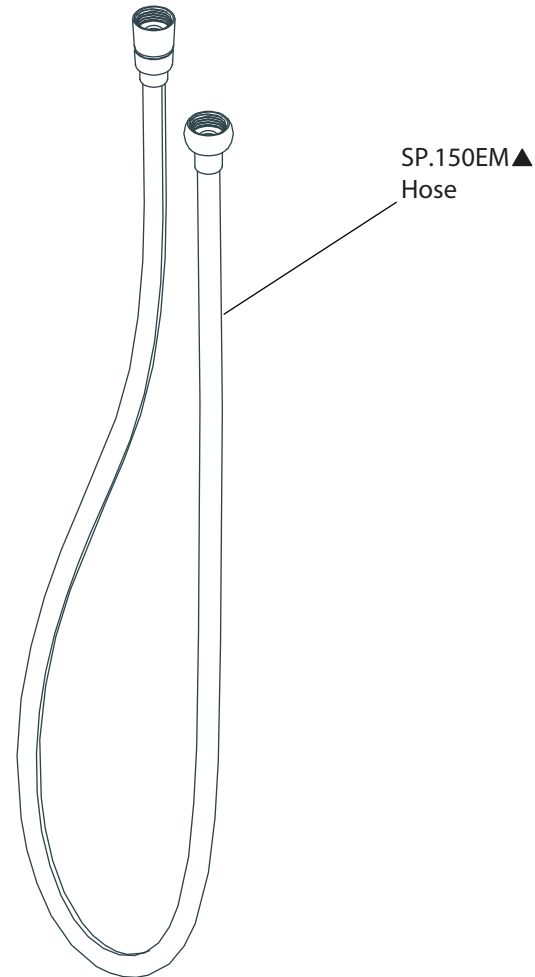
160.5505

Ver 2.53



# Product Parts Breakdown

▲ Specify Finish



**isenberg**  
innovation+design

SP.150EM

Ver 2.55