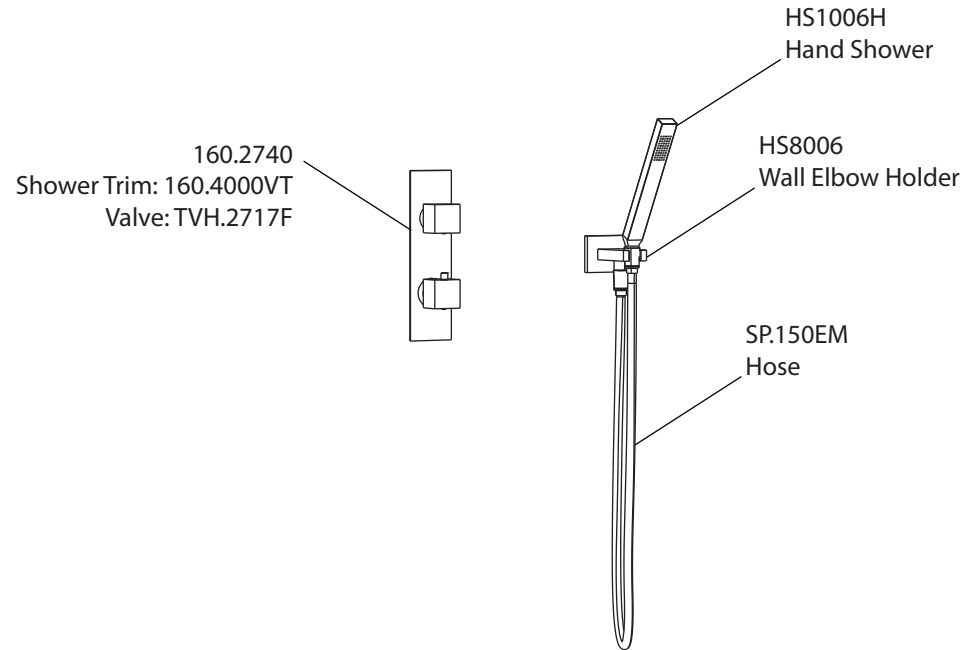
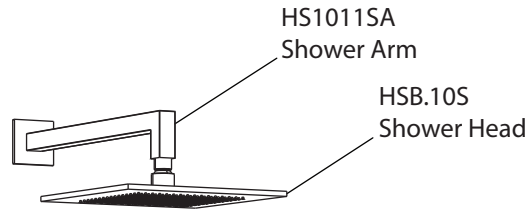


Product Parts Breakdown

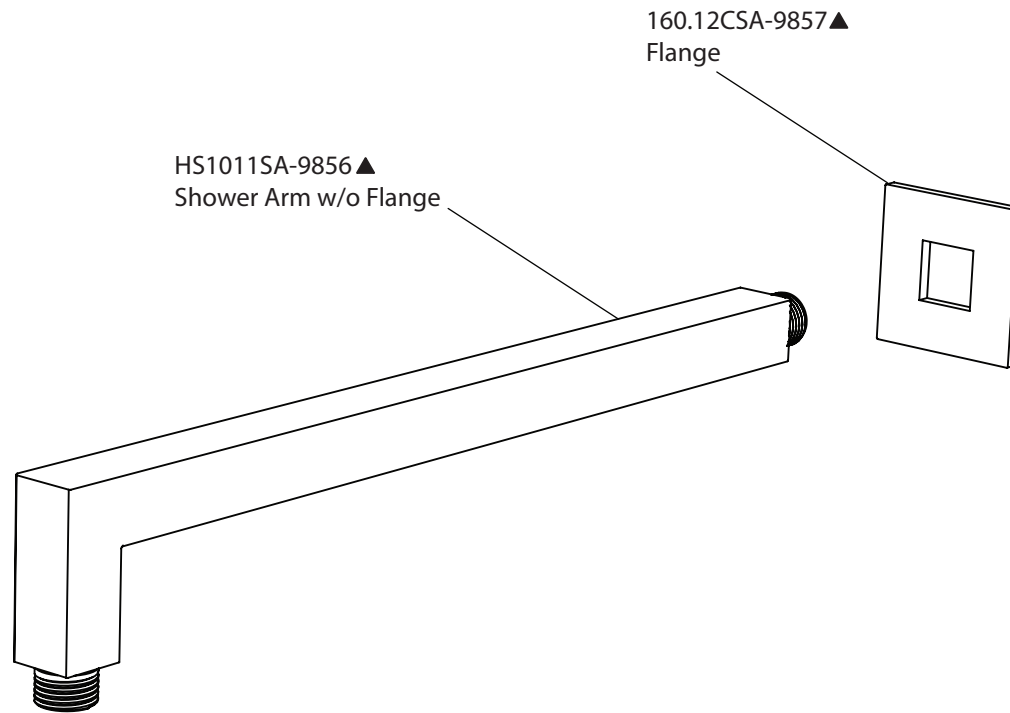


isenberg
innovation+design

160.7250

Product Parts Breakdown

▲ Specify Finish



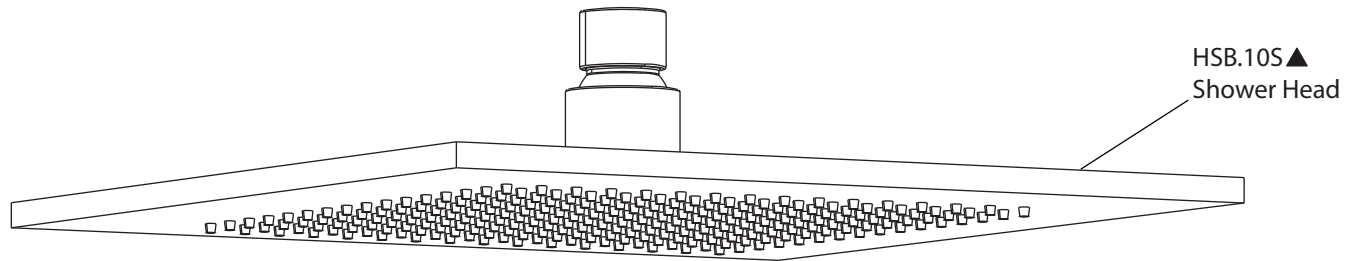
isenberg
innovation+design

HS1011SA

Ver 2.53

Product Parts Breakdown

▲ Specify Finish

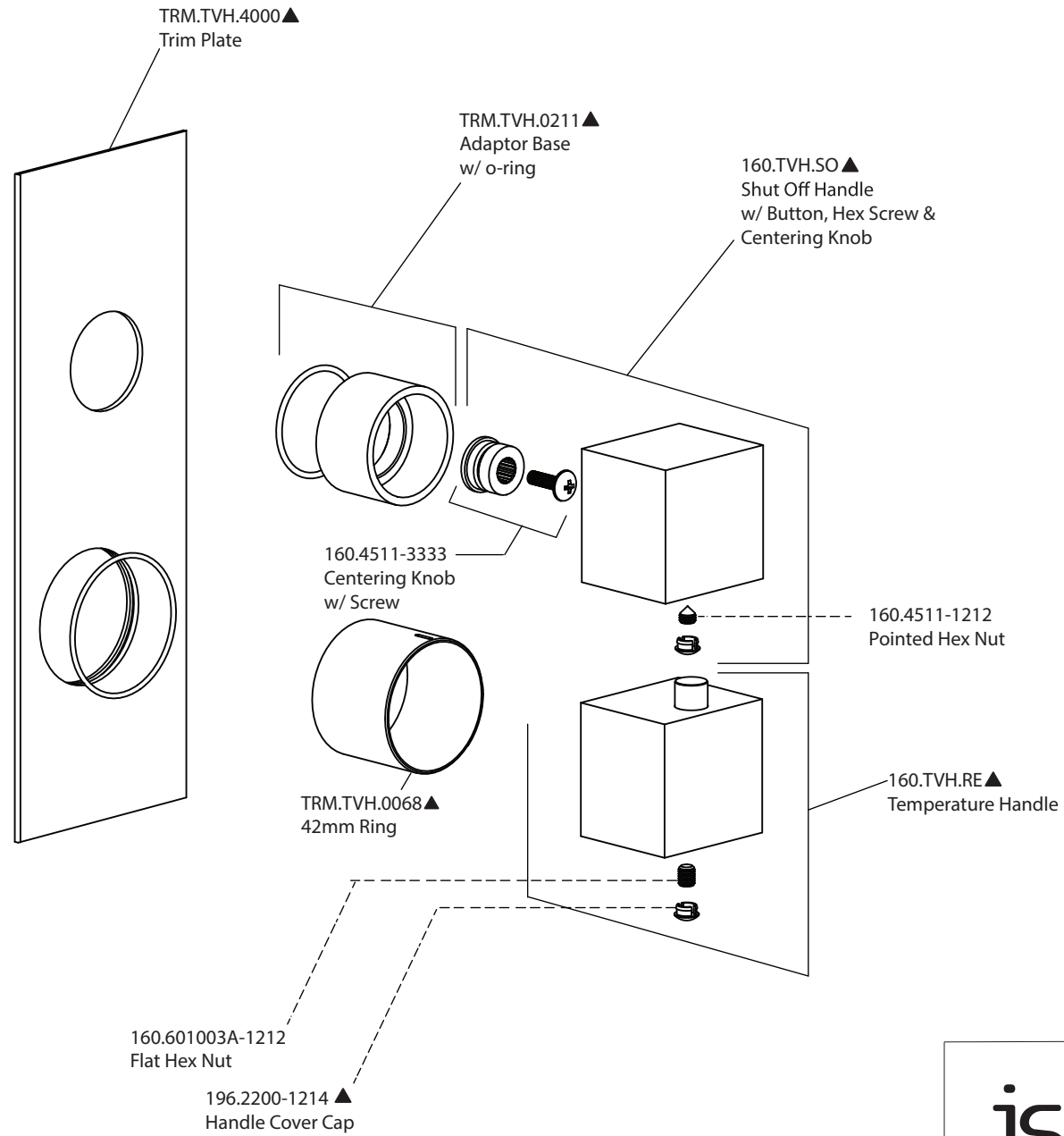


isenberg
innovation+design

HSB.10S

Ver 2.53

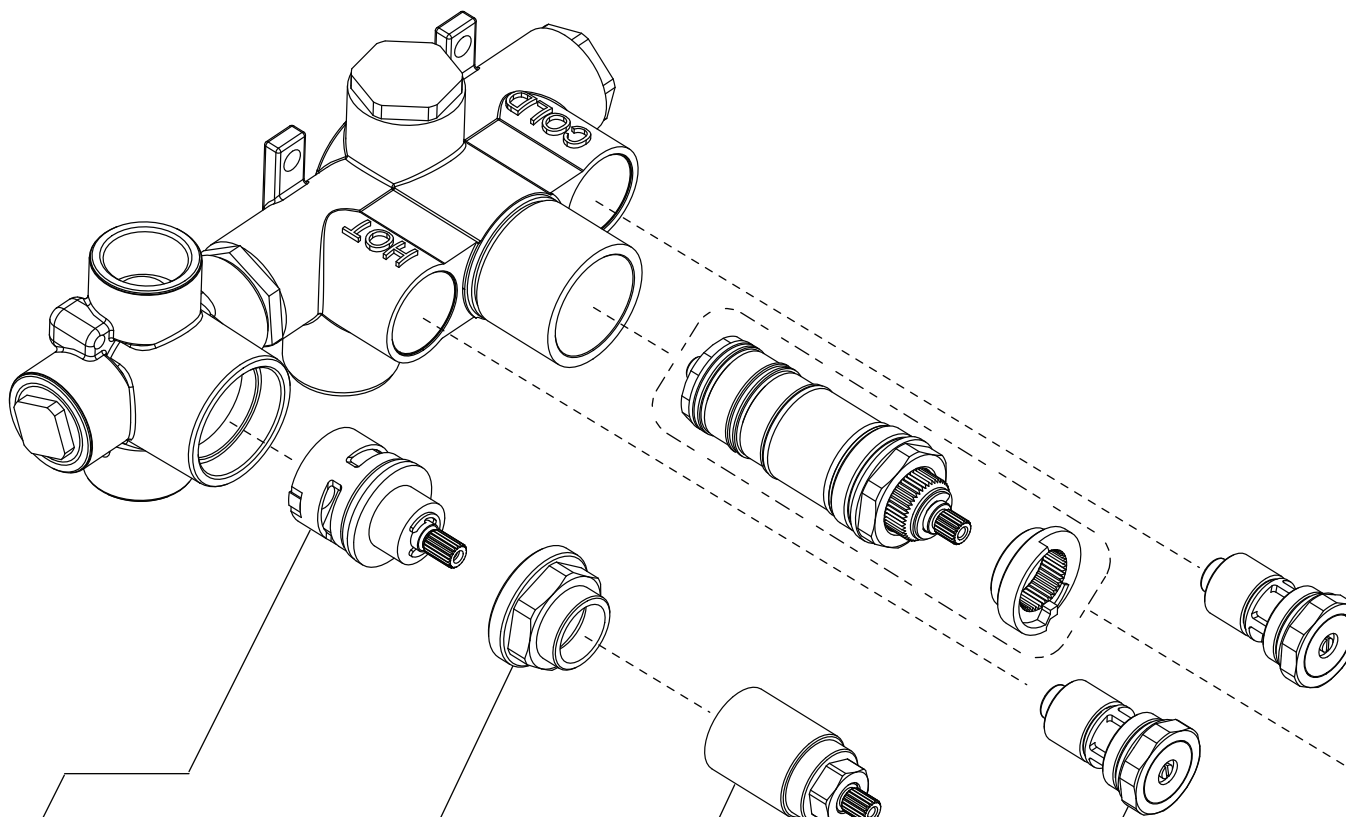
Product Parts Breakdown



isenberg
innovation+design

160.400VT

Product Parts Breakdown



15109
Diverter Cartridge - 2 Output - Non-Shared
15103
Diverter Cartridge - 2 Output - Shared

TVH.5030
Diverter Flange

TVH.0678
Threaded Rod

TVH.4201-1987
Supply Stop

TVH.4201-9853
Thermostatic
Cartridge w/
Stop Ring

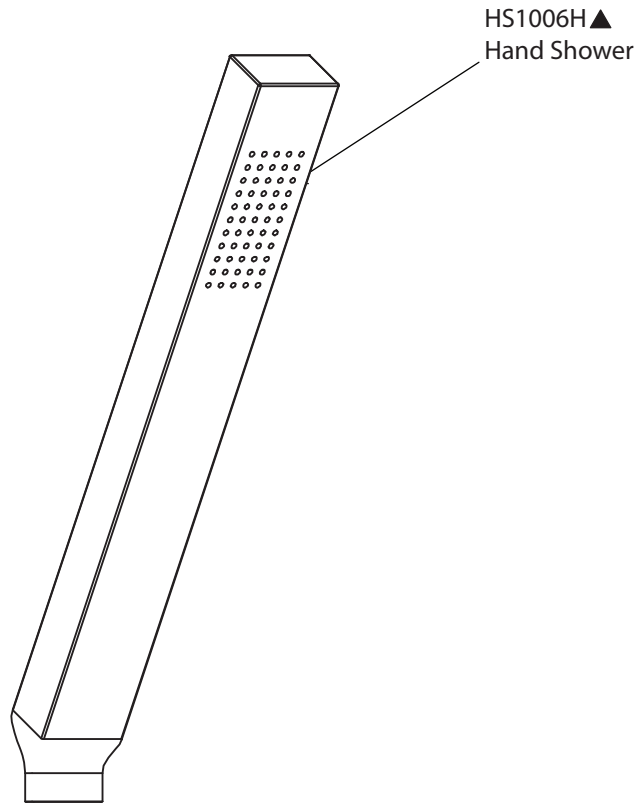
isenberg
innovation+design

TVH.2717F

Ver 2.54

Product Parts Breakdown

▲ Specify Finish

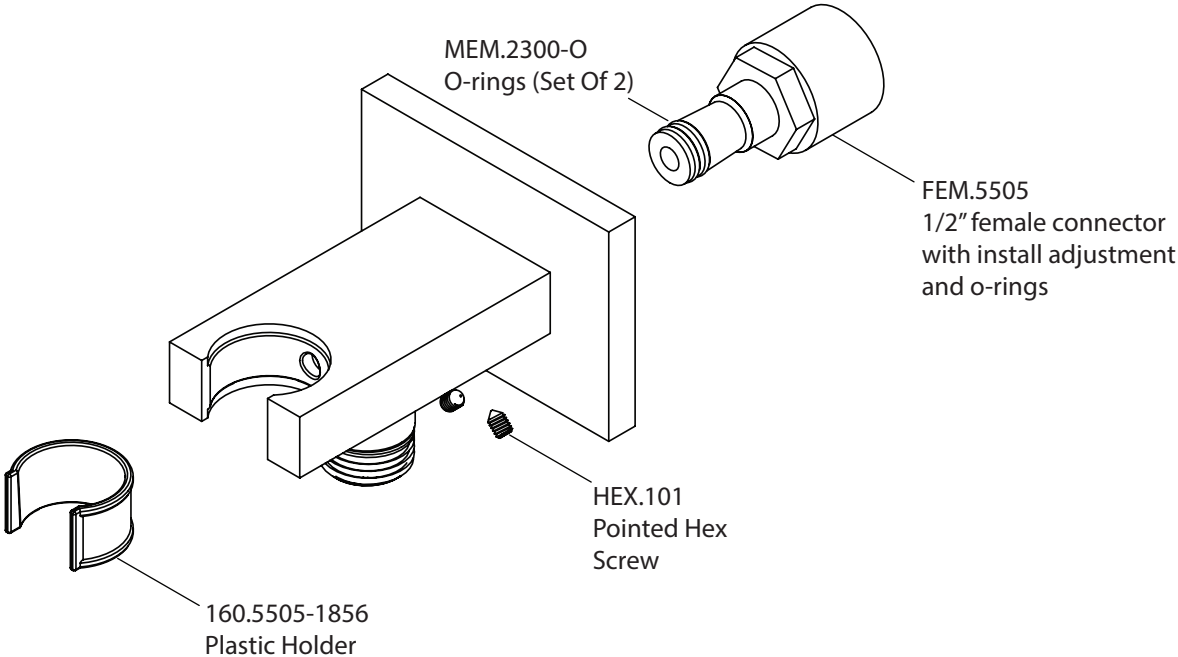


isenberg
innovation+design

HS1006H

Ver 2.55

Product Parts Breakdown



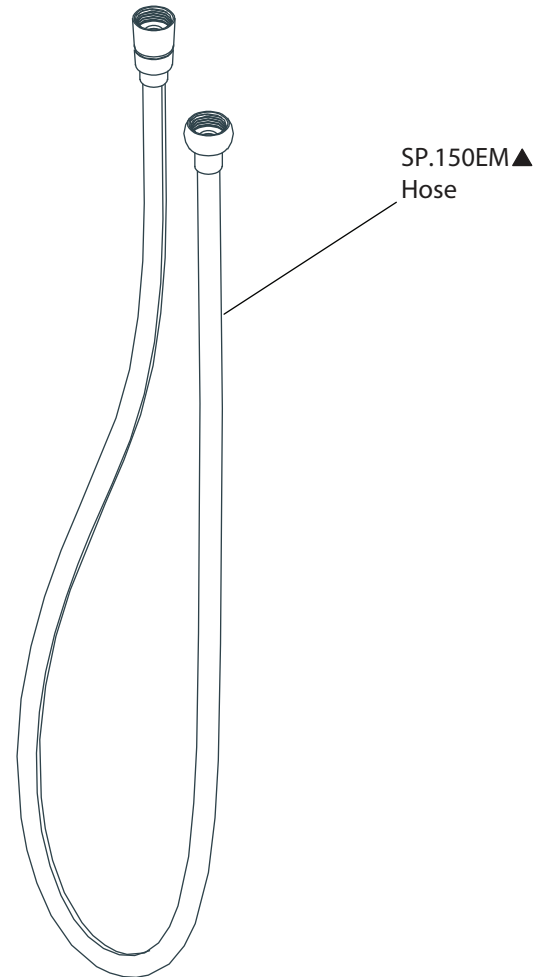
isenberg
innovation+design

HS8006

Ver 2.54

Product Parts Breakdown

▲ Specify Finish



isenberg
innovation+design

SP.150EM

Ver 2.55