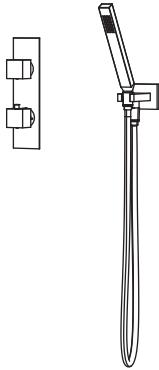


160.7250 | Two Output Shower W/ Rain Head & Hand Held



COMPONENTS

- HS1011SA - 16" Shower Arm
- HSB.10S - 10" Shower Head
- 160.4000VT - Shower Trim
- TVH.2717F - Shower Valve
- HS1006H - Hand Held
- HS8006 - Wall Elbow w/ Holder
- SP.150EM - 1.5m Hose

SHOWER VALVE:

- Thermostatic shower valve
- Valve includes service stops
- Turn bottom handle to set temp.
- Top handle controls water diversion
- Includes 15109 non-shared cartridge

SHOWER HEAD:

- Solid brass construction
- 1.8 GPM flow rate

STANDARDS:

- ASME A112.18.1 / CSA B125.1

See individual component specification sheets on following pages for further details.



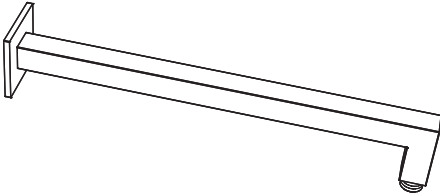
HS1011SA | Square Shower Arm - 400mm - 16"

SPECIFICATIONS:

- Solid Brass Shower Arm
- With Sliding Flange

FAST SHIP FINISHES :

- Chrome - HS1011SACP / Brushed Nickel - HS1011SABN



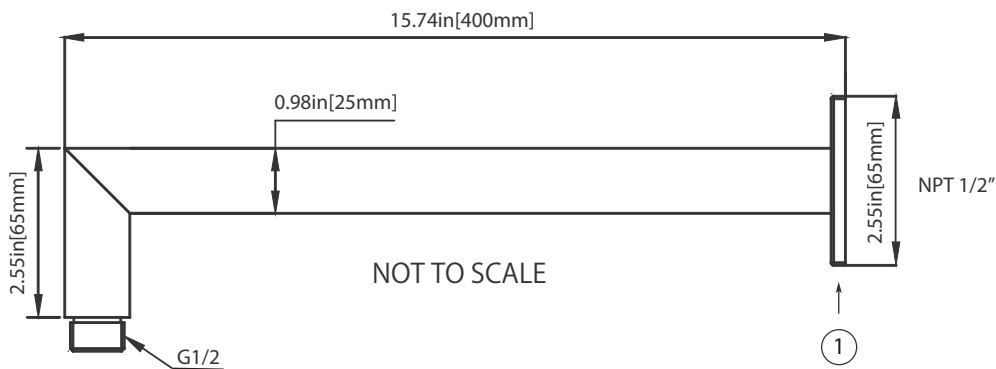
Legislation Compliance



ZeroDrip Technology



Technical Diagram



Part Number Guide:

- ① Flange - HS1001SA-1253CP - Chrome
HS1001SA-1253BN - Brushed Nickel

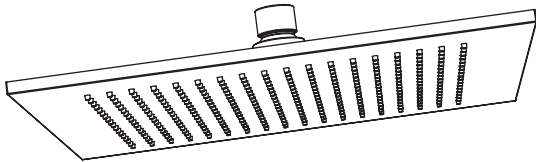
HSB.10S | 10" Brass Shower Head

SPECIFICATIONS:

- Solid Brass Shower Head
- Scrub rubber nozzles to easily clean water sediment
- 2.0 GPM Flow Rate

FINISHES :

- Chrome - HSB.10SCP / Brushed Nickel - HSB.10SBN



Belgian Mirror Finish



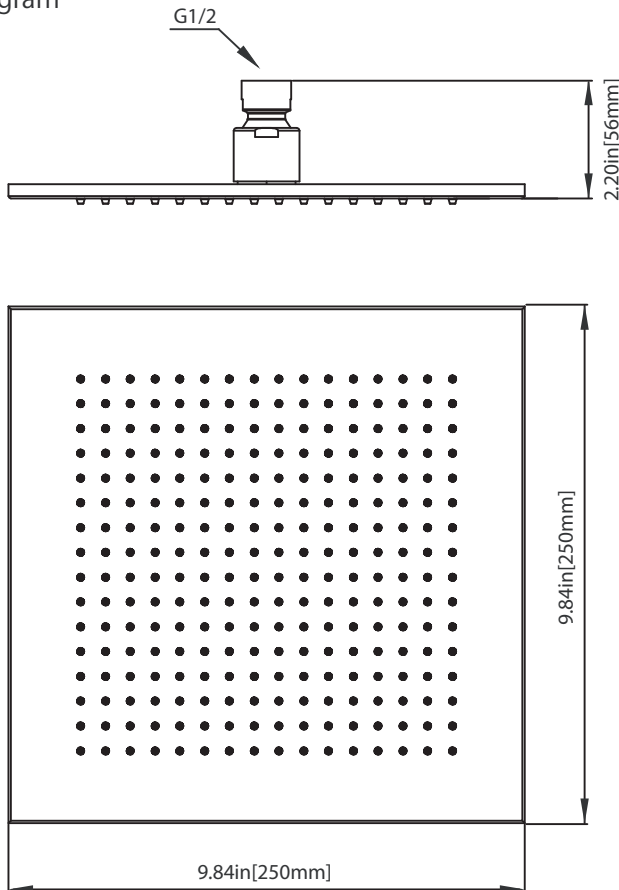
Legislation Compliance



ZeroDrip Technology

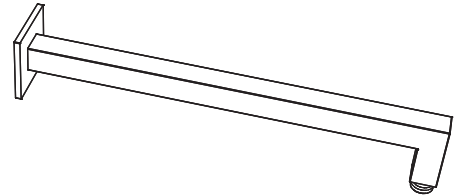


Technical Diagram

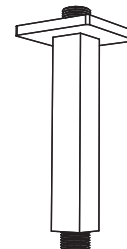


MATCHING SHOWER ARMS:

1) HS1011SA (16" Wall Mount Shower Arm)



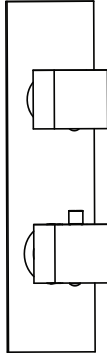
2) 160.6CSA (6" Ceiling Mount Shower Arm)



160.4000VT | Thermostatic Shower Trim

SPECIFICATIONS:

- Solid Brass construction
- Valve not included - Trim only
- Turn bottom handle to control temperature.
- Turn top handle to control volume.



Belgian Mirror Finish



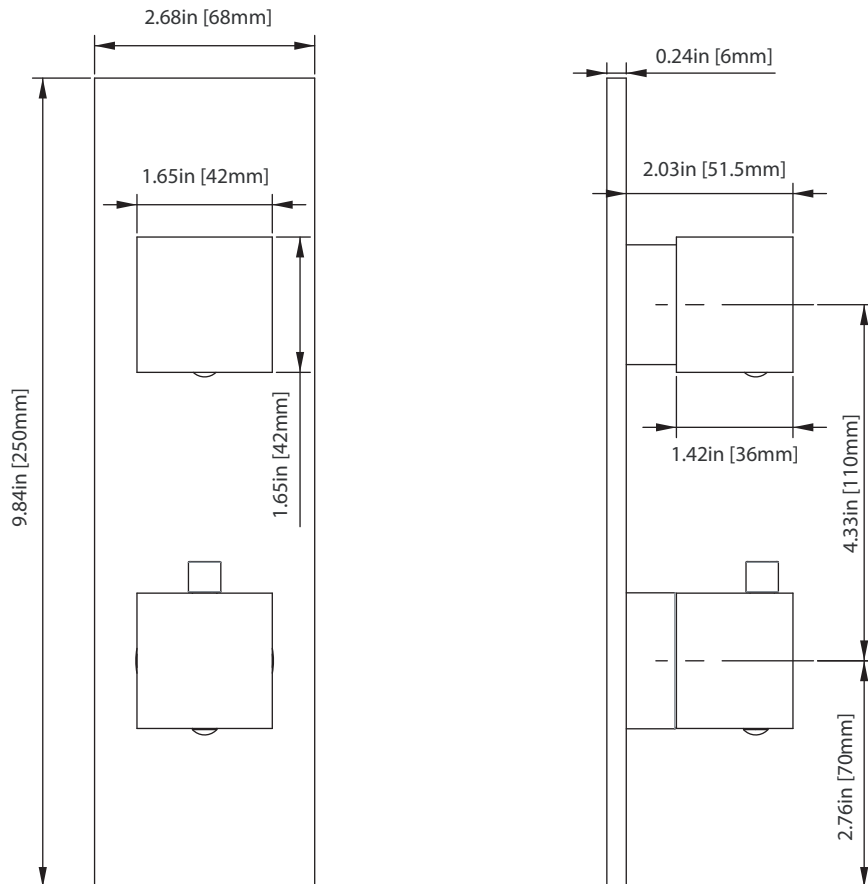
Legislation Compliance



ZeroDrip Technology

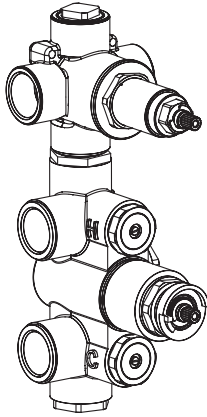


Technical Diagram





TVH.2717F | 3/4" Thermostatic Valve With 2-Way Diverter & Integrated Volume Control Page 1 of 2



SPECIFICATIONS:

- Turn bottom knob to control temperature.
- Turn top knob to control water flow.
- Thermostatic Valve Flow Rate - 8.0 GPM @ 60 PSI
- Extension Available - TVH.4101E**

STANDARDS:

- ASME A112.18.1 / CSA B125.1

!
A separate volume control is not needed to turn water supply off. Volume control functionality is integrated within this valve.

CALGreen Compliant



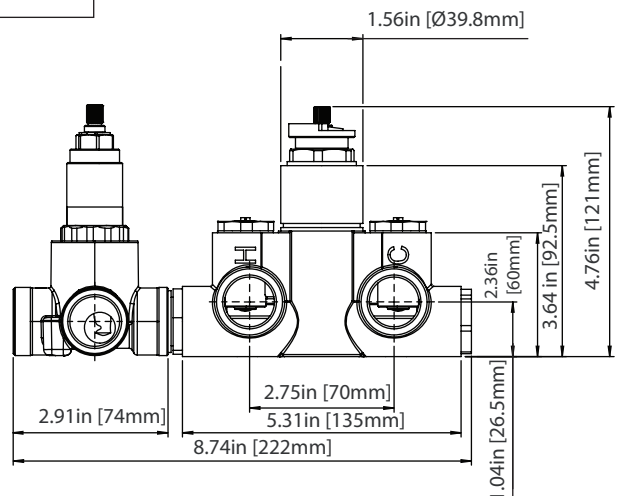
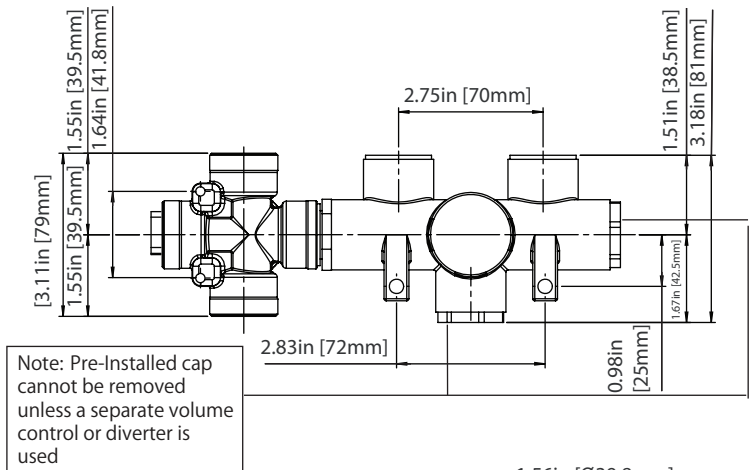
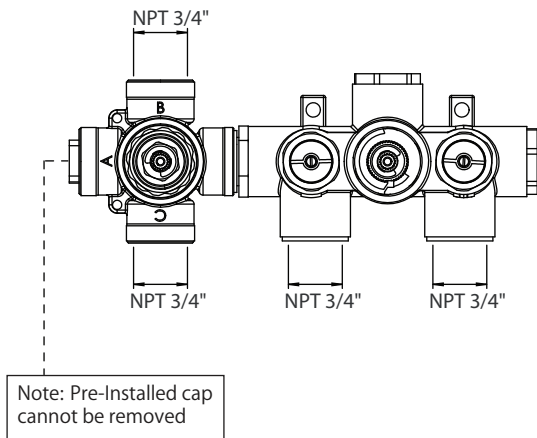
Legislation Compliance



ZeroDrip Technology



Technical Diagram



TVH.2717F | 3/4" Thermostatic Valve With 2-Way Diverter & Integrated
Volume Control Page 2 of 2

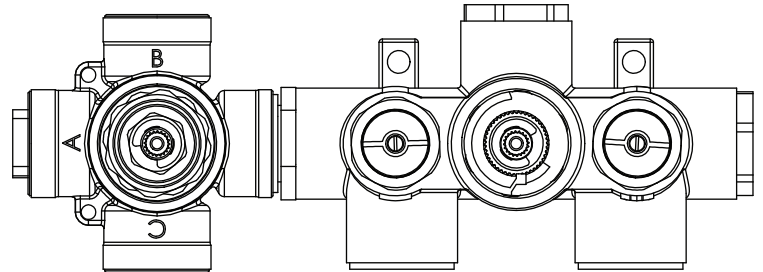


TWO OUTPUT - CAL-GREEN - NO SHARED PORT OPERATION

Diverter Cartridge # - 15109 (Included)

Total 3 Positions as defined below, with only 1 port active at one time.

- Position 0 - Off - No Water Flow
- Position 1 - Output B Activated
- Position 2 - Output C Activated



TWO OUTPUT - SHARED PORT OPERATION

Diverter Cartridge # - 15103 (Not Included)

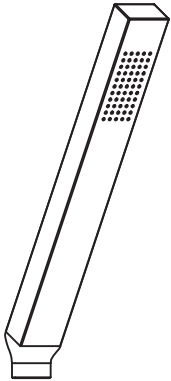
Total 4 Positions as defined below, with 2 ports active at one time.

- Position 0 - Off - No Water Flow
- Position 1 - Output B Activated
- Position 2 - Output B+C Activated
- Position 3 - Output C Activated

HS1006H | Solid Brass Hand Shower

SPECIFICATIONS:

- Solid Brass Construction
- 1.8 GPM Flow Rate
- With back flow prevention check valve



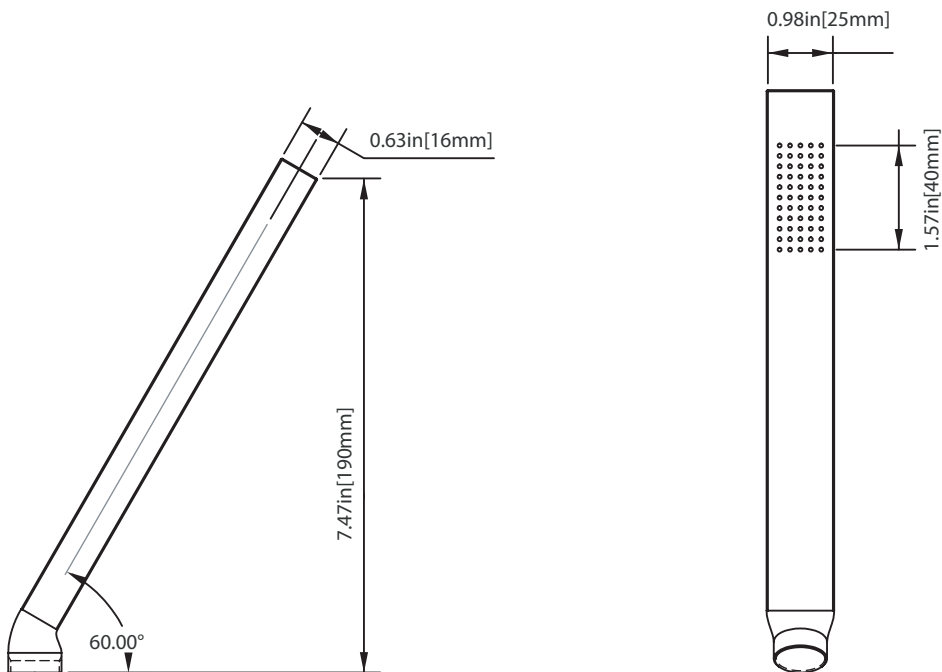
Legislation Compliance



ZeroDrip Technology



Technical Diagram



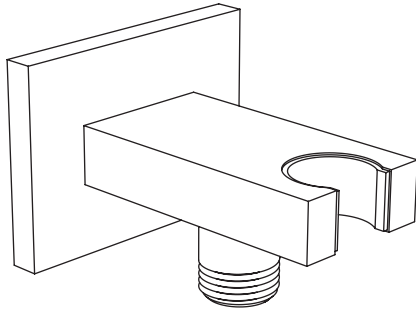
HS8006 | Wall Elbow With Holder Combo

SPECIFICATIONS:

- Solid Brass Construction
- Includes Check Valve with back flow prevention.

FAST SHIP FINISHES :

- Chrome - HS8006CP / Brushed Nickel - HS8006BN



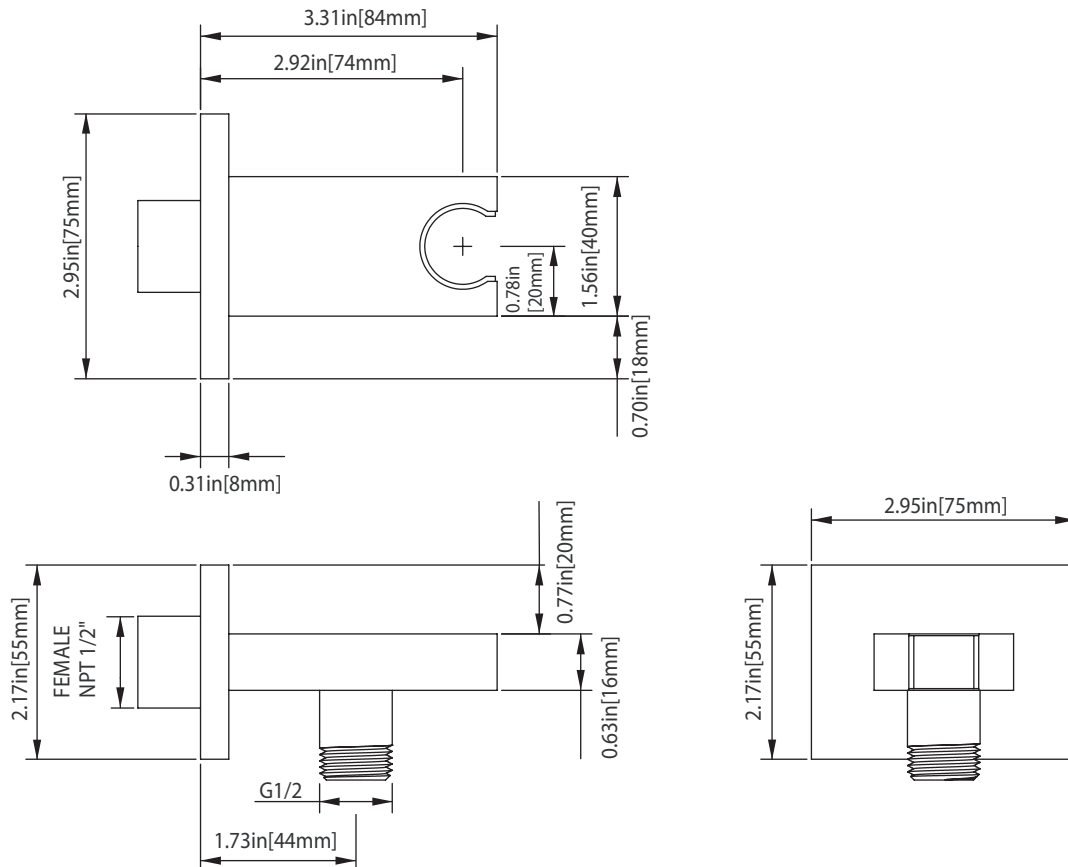
Legislation Compliance



ZeroDrip Technology



Technical Diagram



SP.150EM | Easy Maneuver Hose

SPECIFICATIONS:

- Stainless steel construction
- G-1/2" connection
- 1.5m length



Legislation Compliance



ZeroDrip Technology



Technical Diagram

