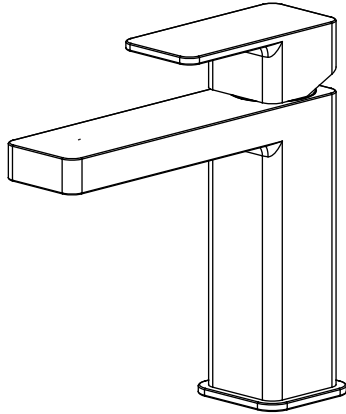


196.1000 | Single Hole Faucet



SPECIFICATIONS:

- Solid Brass construction
- Single Hole Installation
- 1.5 GPM Flow Rate @ 60 PSI (1.2 GPM For California)
- ADA compliant with adjustable hot limit safety stop



Drain Included

FAST SHIP FINISHES :

- Chrome - 196.1000CP / Brushed Nickel - 196.1000BN

STANDARDS:

- ASME A112.18.1 / CSA B125.1, NSF-61

LowFlow Capable



Legislation Compliance



Low Lead Compliant



ZeroDrip Technology



Technical Diagram

