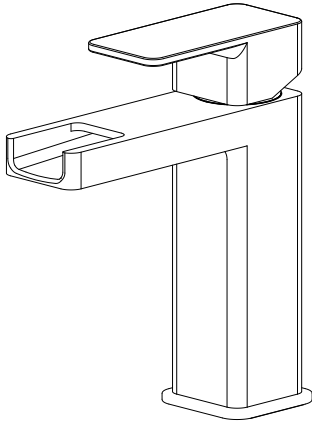


**196.1000CF | Single Hole Cascade Flow Faucet**



**SPECIFICATIONS:**

- Solid Brass construction
- Single Hole Installation
- 1.5 GPM Flow Rate @ 60 PSI (1.2 GPM For California)
- ADA compliant with adjustable hot limit safety stop

**FAST SHIP FINISHES :**

- Chrome - 196.1000CFCP

**STANDARDS:**

- ASME A112.18.1 / CSA B125.1, NSF-61



Drain Included

Legislation Compliance



Low Lead Compliant



ZeroDrip Technology



**Technical Diagram**

