

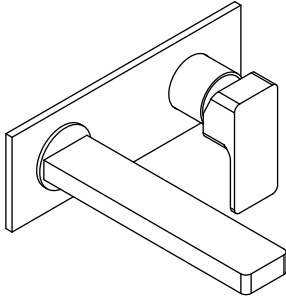
196.1800 | Single Lever Wall Mount Faucet

SPECIFICATIONS:

- Solid Brass construction - includes valve
- Wall Mount Installation
- 1.2 GPM Flow Rate @ 60 PSI
- Ceramic disc cartridge allows both volume and temperature control

STANDARDS:

- ASME A112.18.1 / CSA B125.1, NSF-61



LowFlow Capable



Legislation Compliance



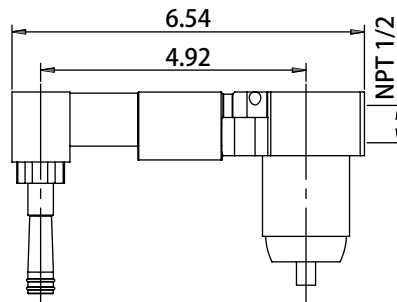
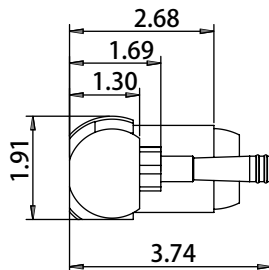
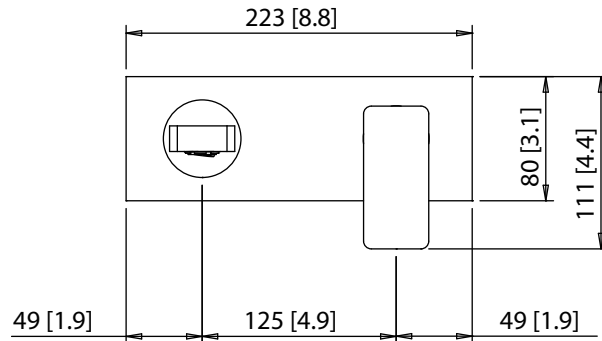
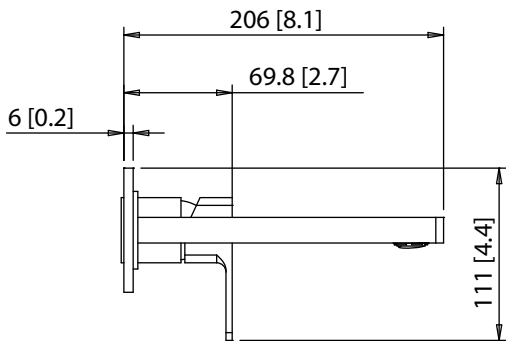
Low Lead Compliant



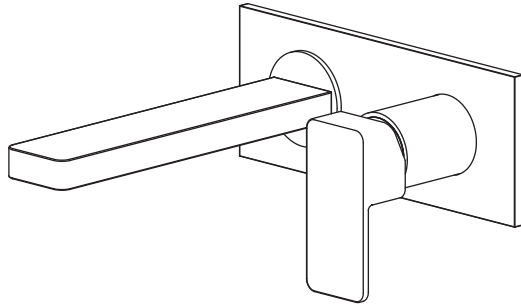
ZeroDrip Technology



Technical Diagram



196.1800 | Single Lever Wall Mount Faucet



SPECIFICATIONS:

- Solid Brass construction - includes valve
- Single Hole Installation
- 1.5 GPM Flow Rate @ 60 PSI (1.2 GPM For California)
- Ceramic disc cartridge allows both volume and temperature control
- No Extension Available

FAST SHIP FINISHES :

- Chrome - 196.1800CP, Brushed Nickel - 196.1800BN

STANDARDS:

- ASME A112.18.1 / CSA B125.1, NSF-61

LowFlow Capable



Legislation Compliance



Low Lead Compliant

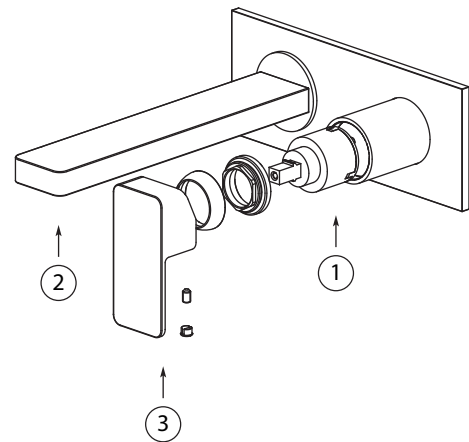
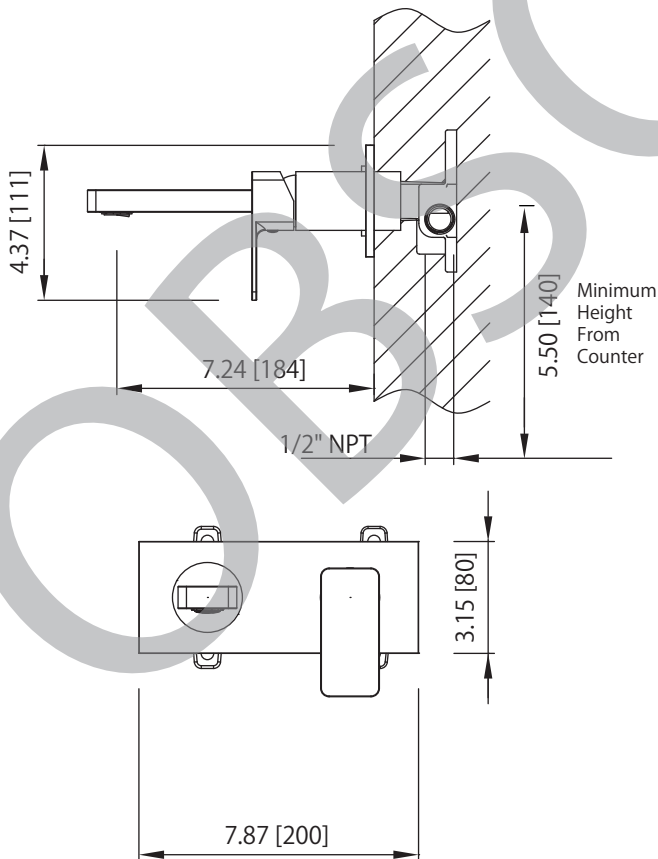


ZeroDrip Technology



Technical Diagram

Exploded View



Part Number Guide:

- ① Cartridge - 196.1000-9853
- ② Aerator - 196.1000-2364
- ③ Handle Kit - 196.1800-2352CP - Chrome
196.1800-2352BN - Brushed Nickel