



### 196.2200 | 1-way Shower Trim Set With Pressure Balance Valve

#### SPECIFICATIONS:

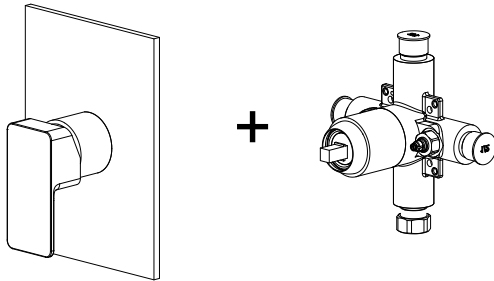
- Solid Brass Trim & Handle set
- Includes Pressure balance valve (PBV1005AS\*\*) w/ service stops
- Lift Handle to control volume. Turn left for hot, right for cold.
- Pressure Balance Valve Flow Rate - 5.5 GPM @ 60 PSI
- Extension Available - PBV.E185\*\*

#### FAST SHIP FINISHES :

- Chrome - 196.2200CP / Brushed Nickel - 196.2200BN

#### STANDARDS:

- ASME A112.18.1 / CSA B125.1



Trim  
[ 196.2200T\*\* ]

Valve  
[ PBV1005AS\*\* ]

\*\* Denotes Finish (CP Or BN)

Legislation Compliance

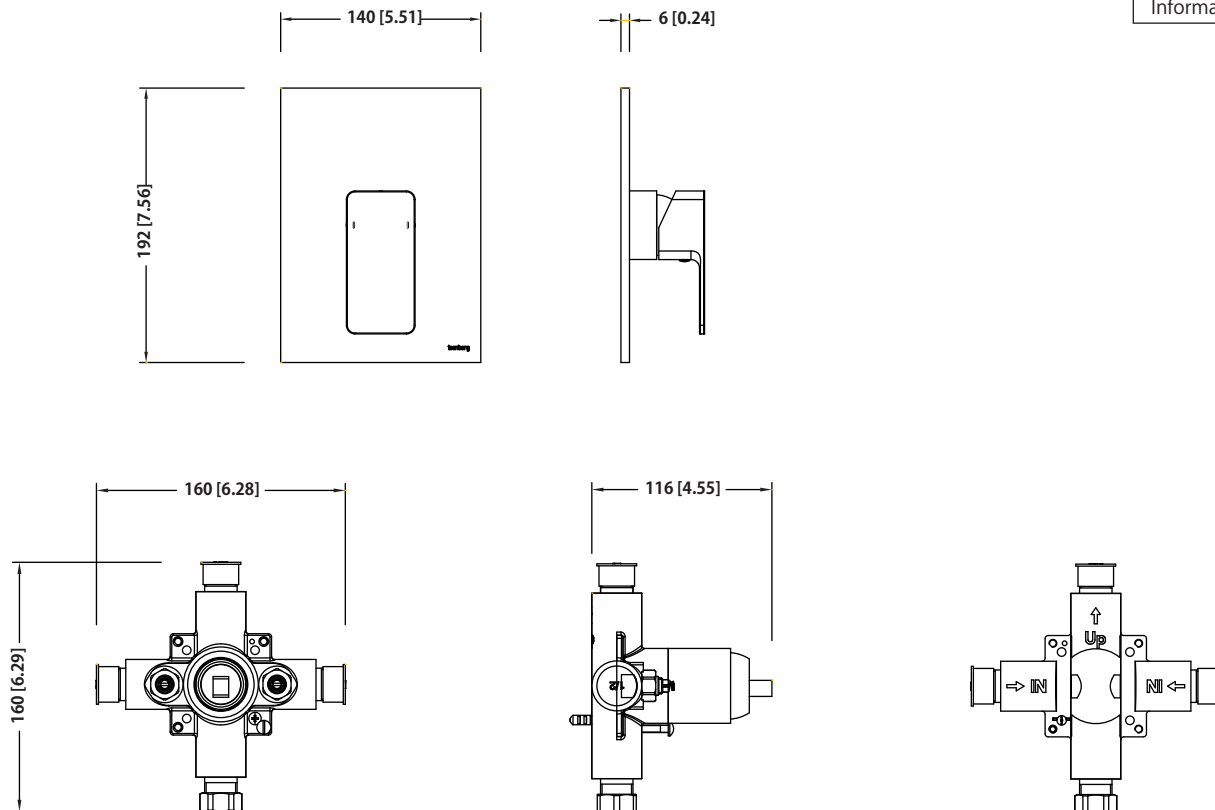


ZeroDrip Technology



#### Technical Diagram

See Spec Sheet For  
PBV1005AS For Detailed  
Information On Valve.





**PBV1005AS | Single Control Pressure Balance Valve** Page 1 of 2

**SPECIFICATIONS:**

- Lift Handle to control volume. Turn left for hot, right for cold.
- Pressure Balance Valve Flow Rate - 5.5 GPM @ 60 PSI

**FAST SHIP FINISHES :**

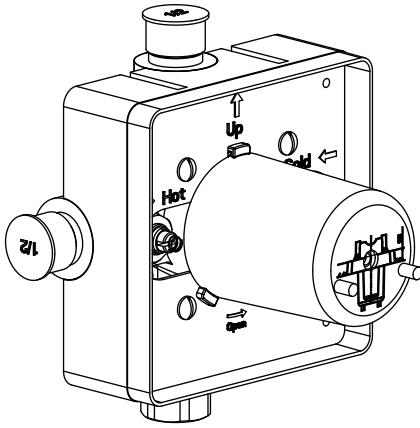
- Chrome - PBV1005ASCP / Brushed Nickel - PBV1005ASBN

**STANDARDS:**

- ASME A112.18.1 / CSA B125.1

**WARRANTY:**

- Limited lifetime warranty to the original consumer purchaser against finish and workmanship

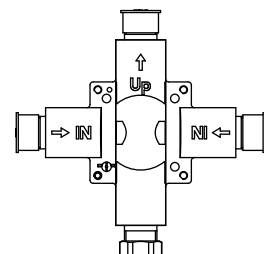
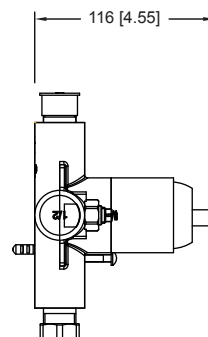
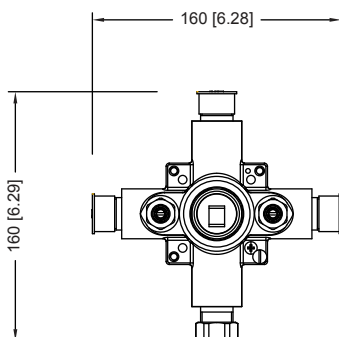
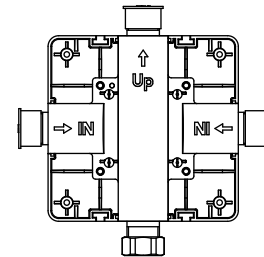
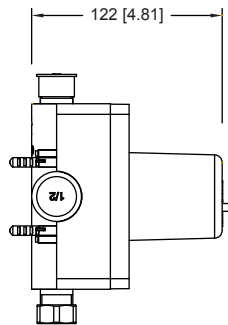
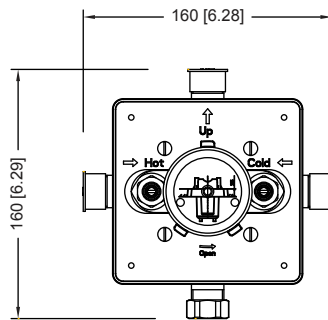


Legislation Compliance

ZeroDrip Technology



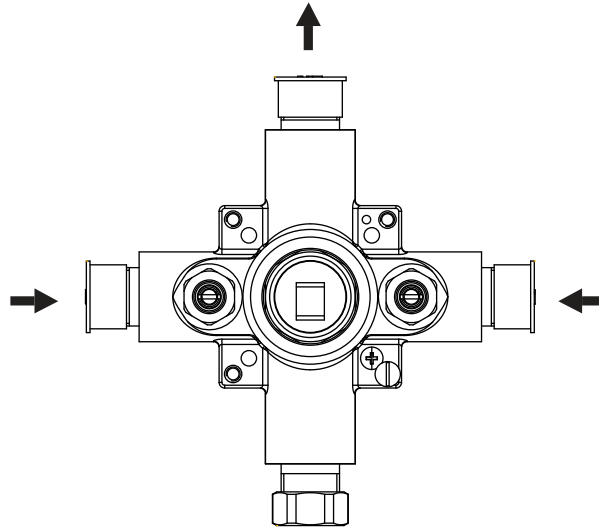
**Technical Diagram**



PBV1005AS | Single Control Pressure Balance Valve Page 2 of 2



Water Flow Diagram



Extension Kits

- a Temperature Handle Extension - PBV.E185CP - Chrome  
PBV.E185BN - Brushed Nickel