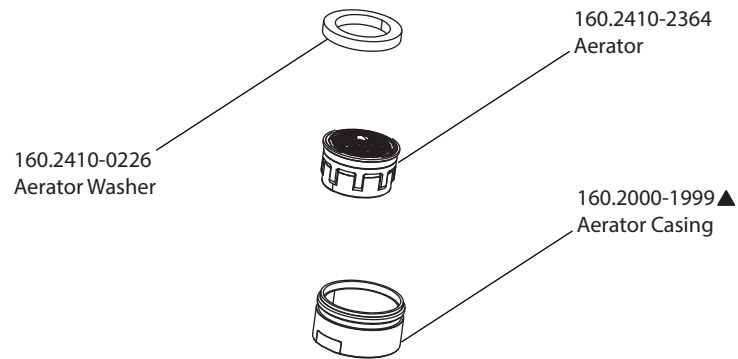
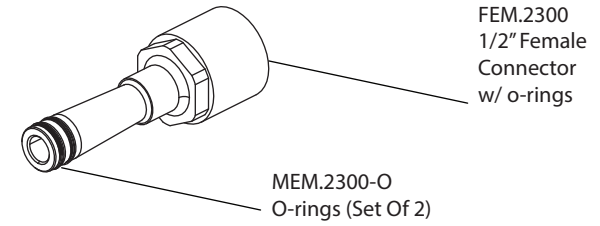
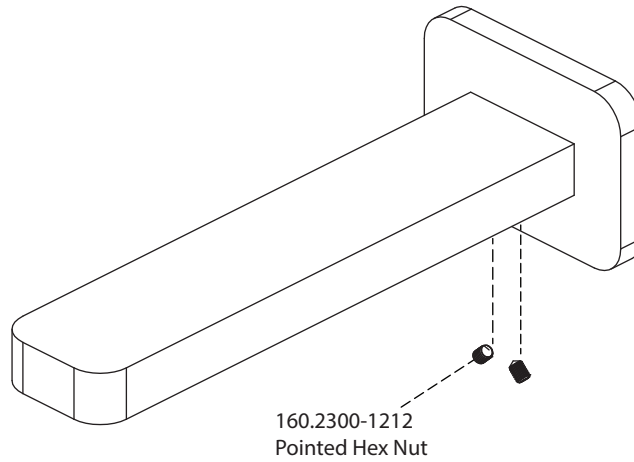


Product Parts Breakdown

▲ Specify Finish



isenberg
innovation+design

196.2300

Ver 2.55