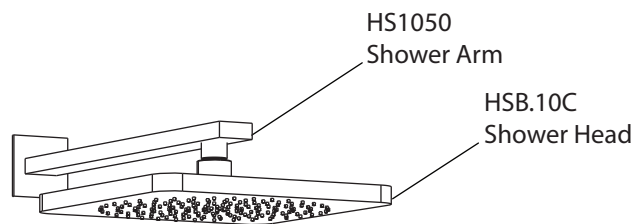
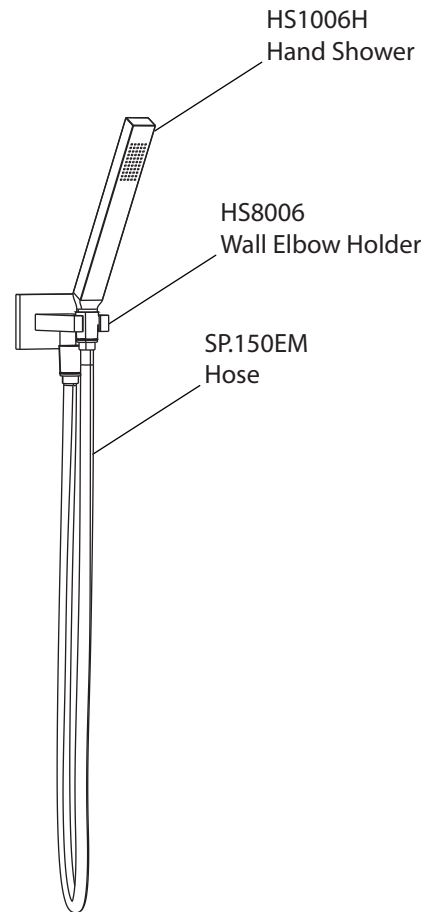
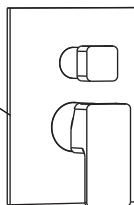


Product Parts Breakdown

▲ Specify Finish



196.2100
Shower Trim: 196.2100T
Valve: PBV1005A



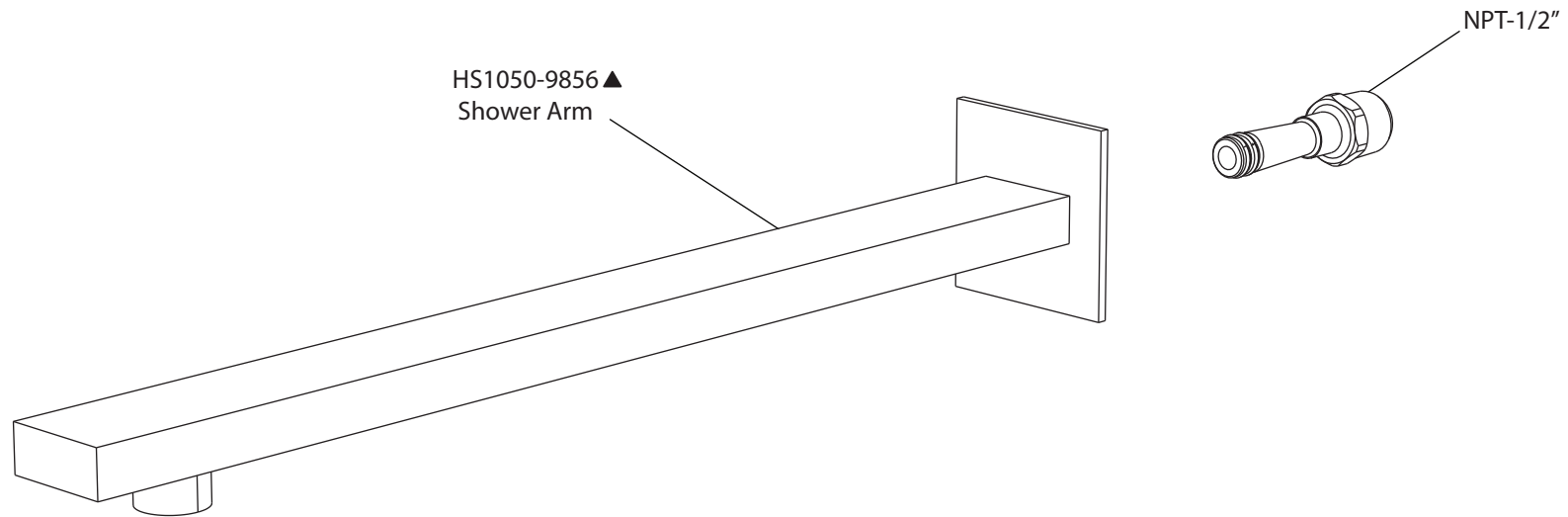
isenberg
innovation+design

196.3300

Ver 2.53

Product Parts Breakdown

▲ Specify Finish



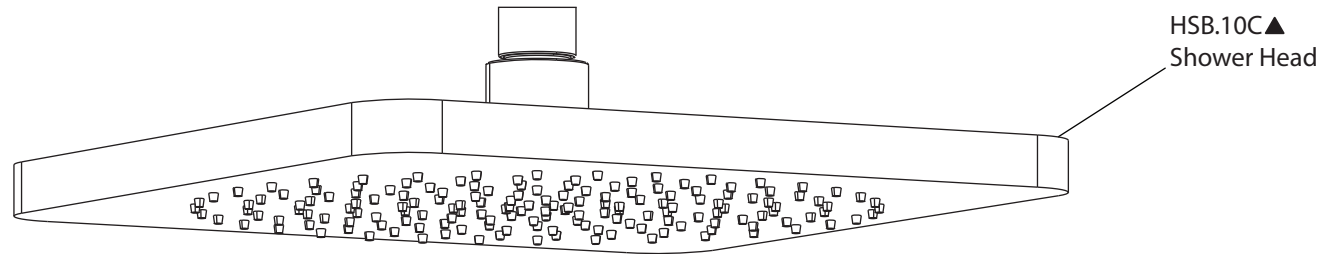
isenberg
innovation+design

HS1050

Ver 2.53

Product Parts Breakdown

▲ Specify Finish



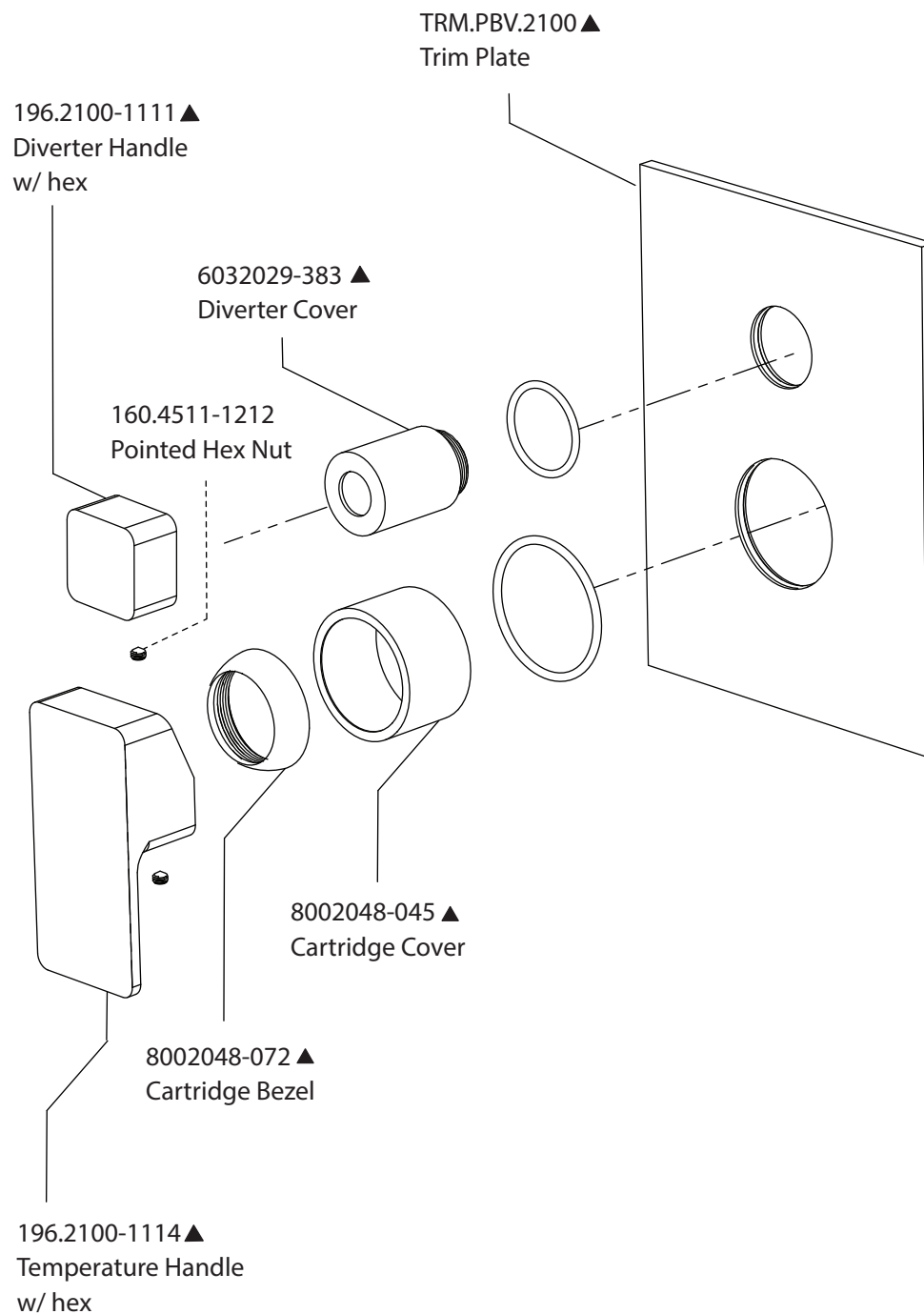
isenberg
innovation+design

HSB.10C

Ver 2.53

Product Parts Breakdown

▲ Specify Finish

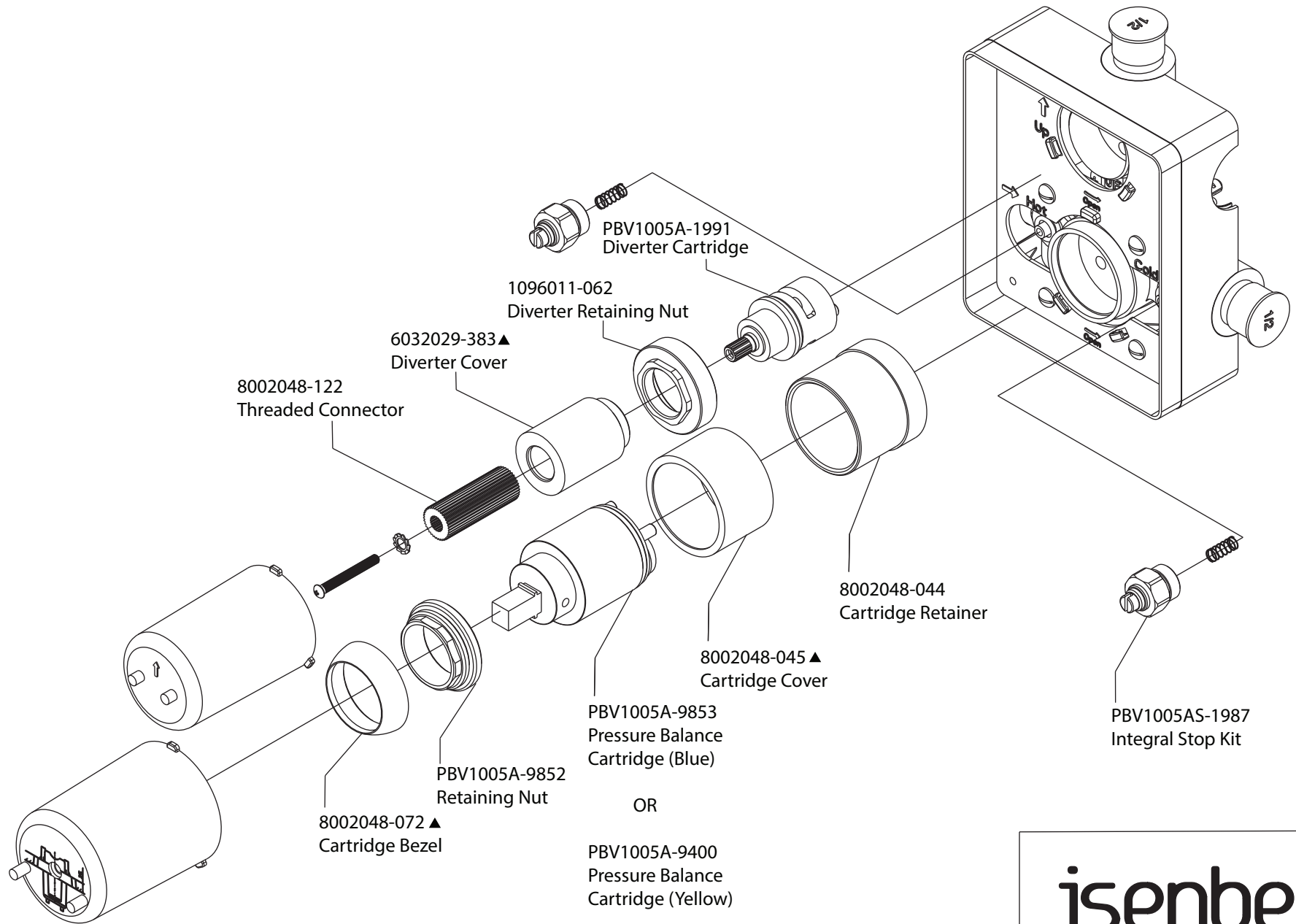


isenberg
innovation+design

196.2100T

Ver 2.53

Product Parts Breakdown

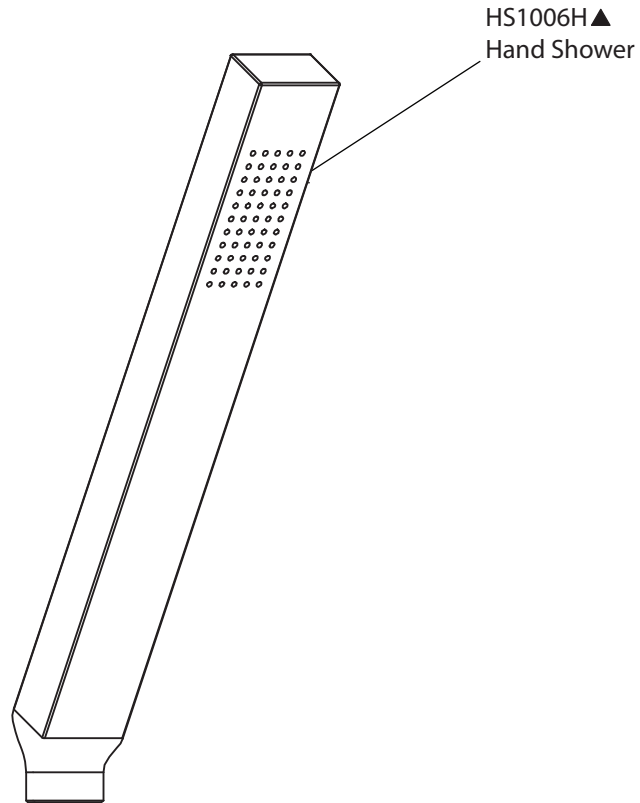


isenberg
innovation+design

PBV1005A

Product Parts Breakdown

▲ Specify Finish

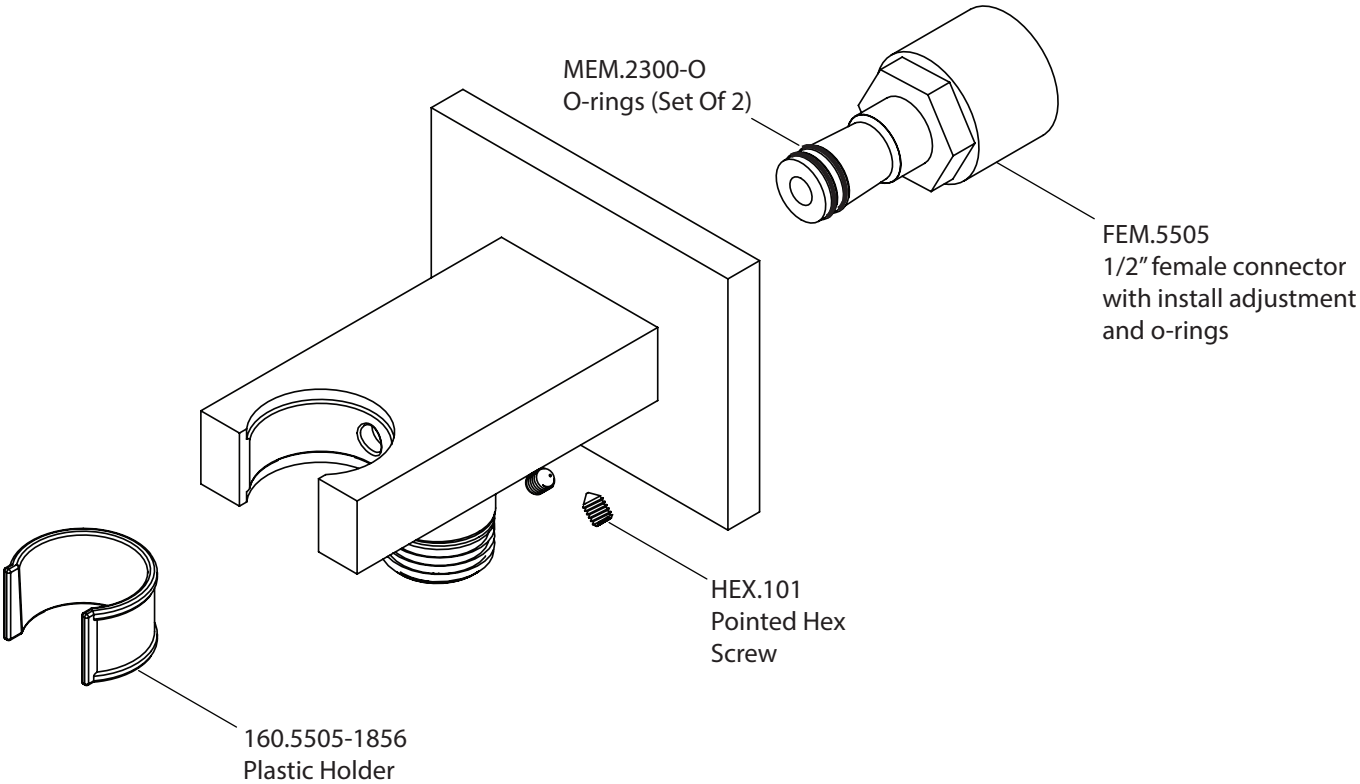


isenberg
innovation+design

HS1006H

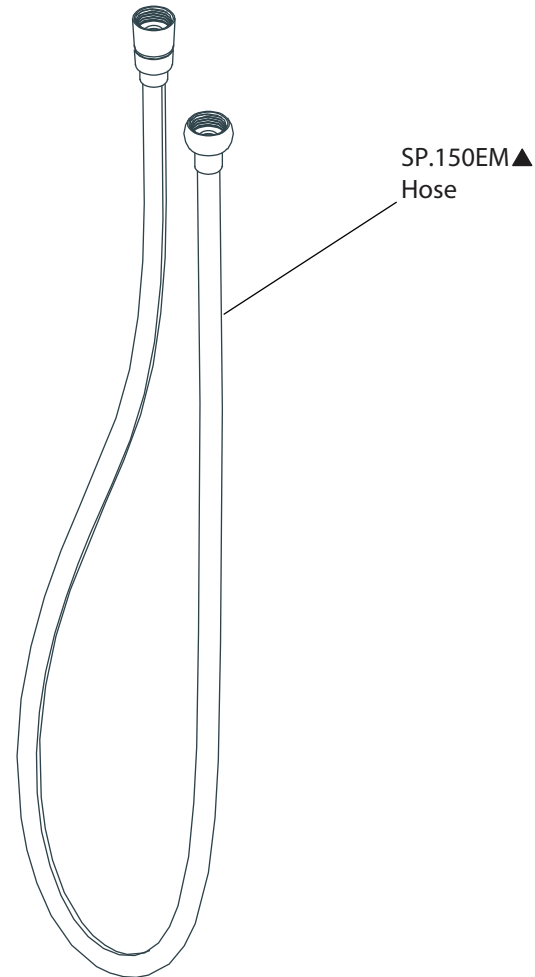
Ver 2.55

Product Parts Breakdown



Product Parts Breakdown

▲ Specify Finish



isenberg
innovation+design

SP.150EM

Ver 2.55