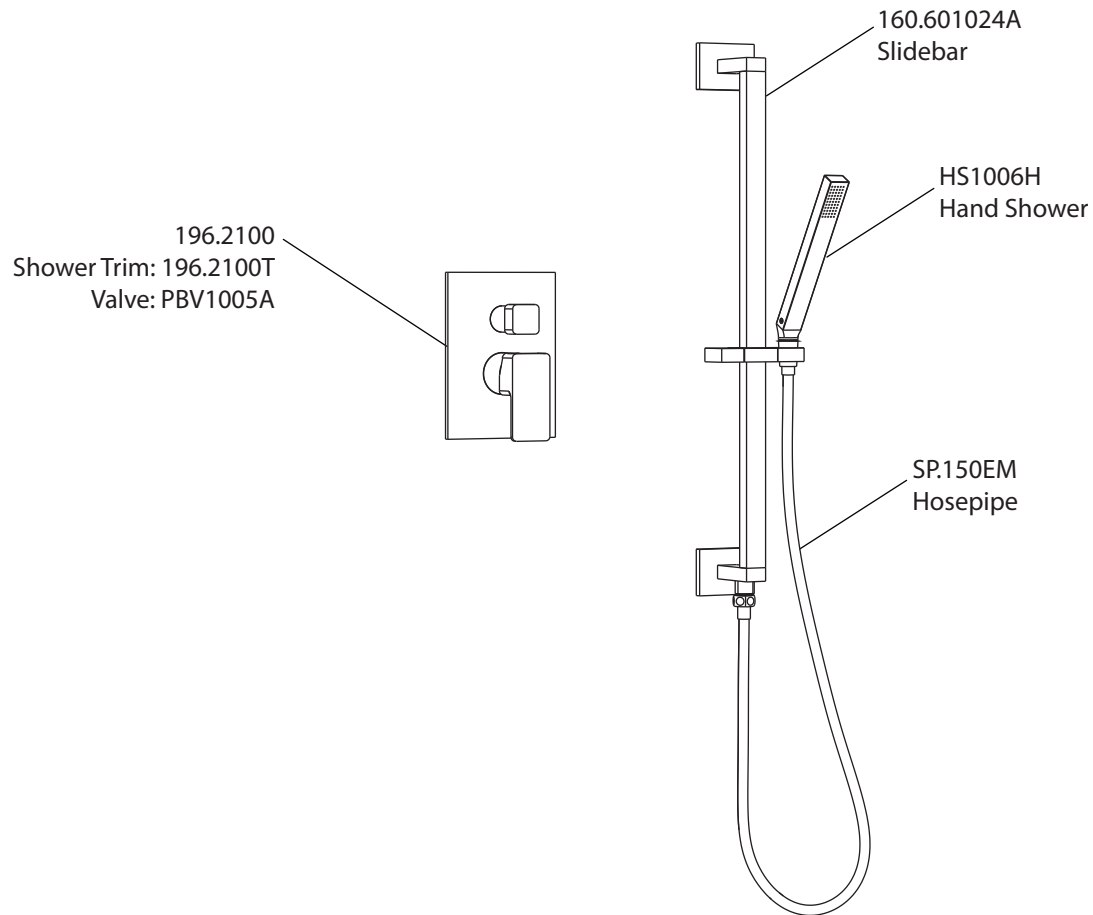
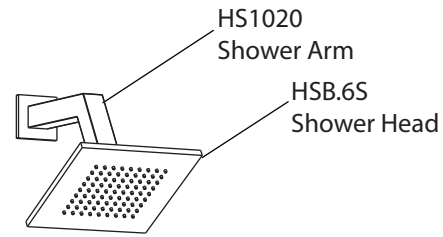


# Product Parts Breakdown



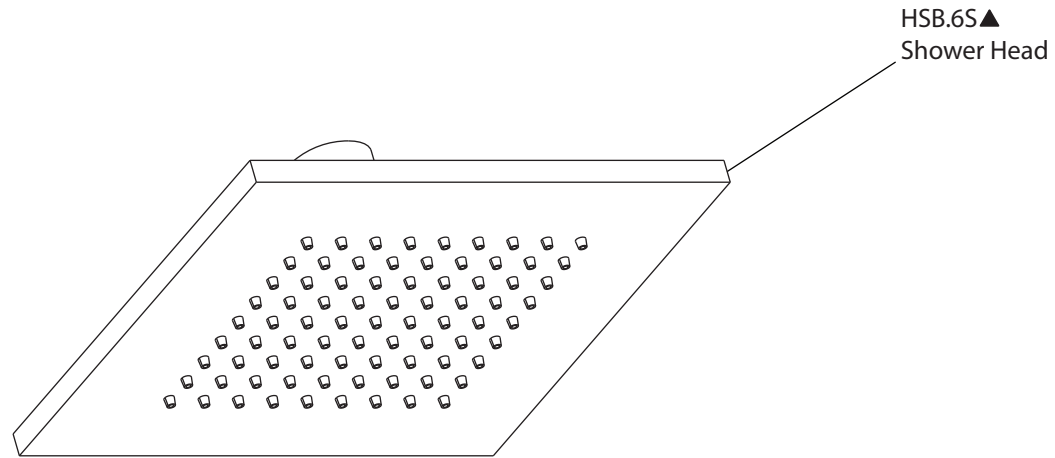
**isenberg**  
innovation+design

196.3400

Ver 2.53

# Product Parts Breakdown

▲ Specify Finish



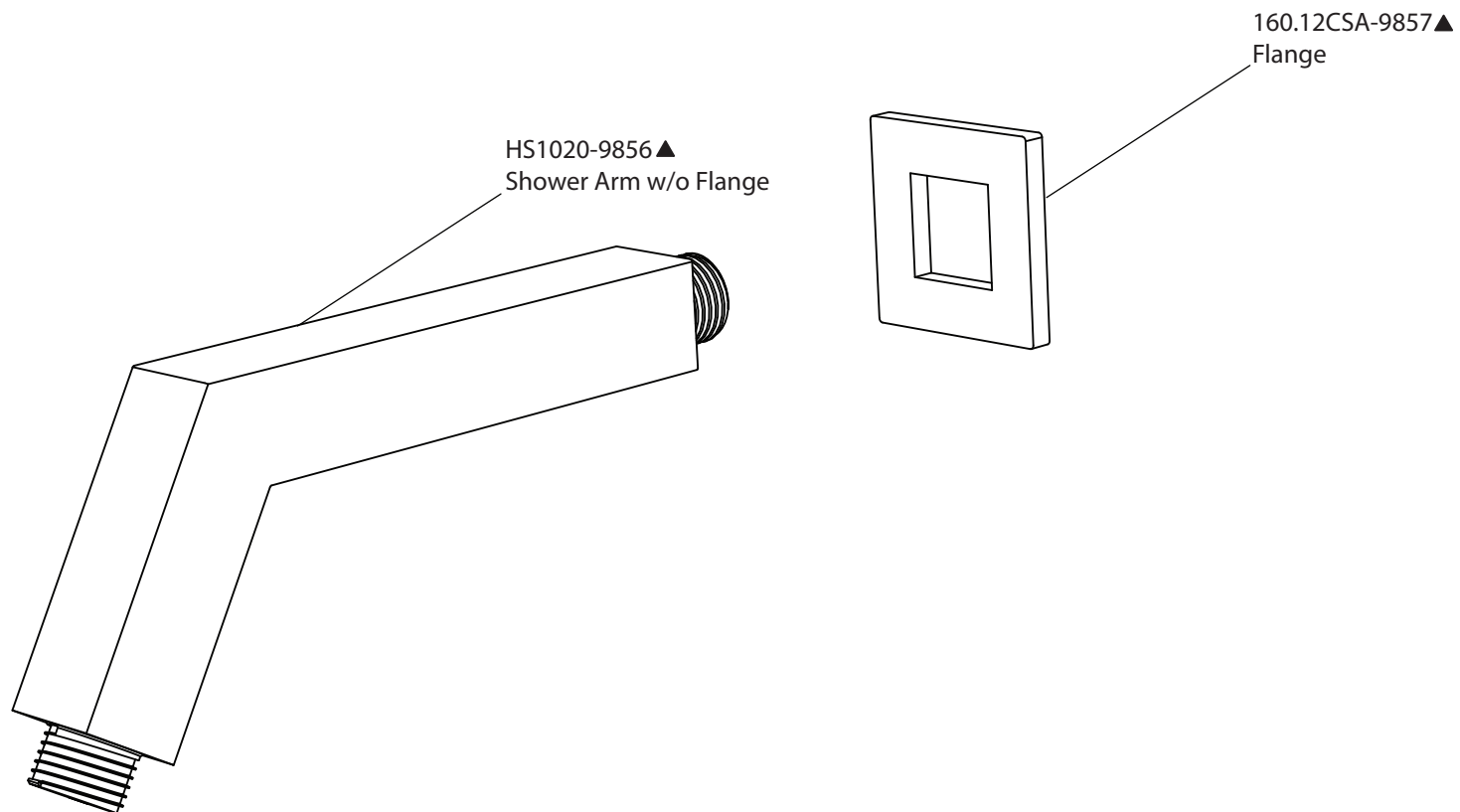
**isenberg**  
innovation+design

HSB.6S

Ver 2.53

# Product Parts Breakdown

▲ Specify Finish



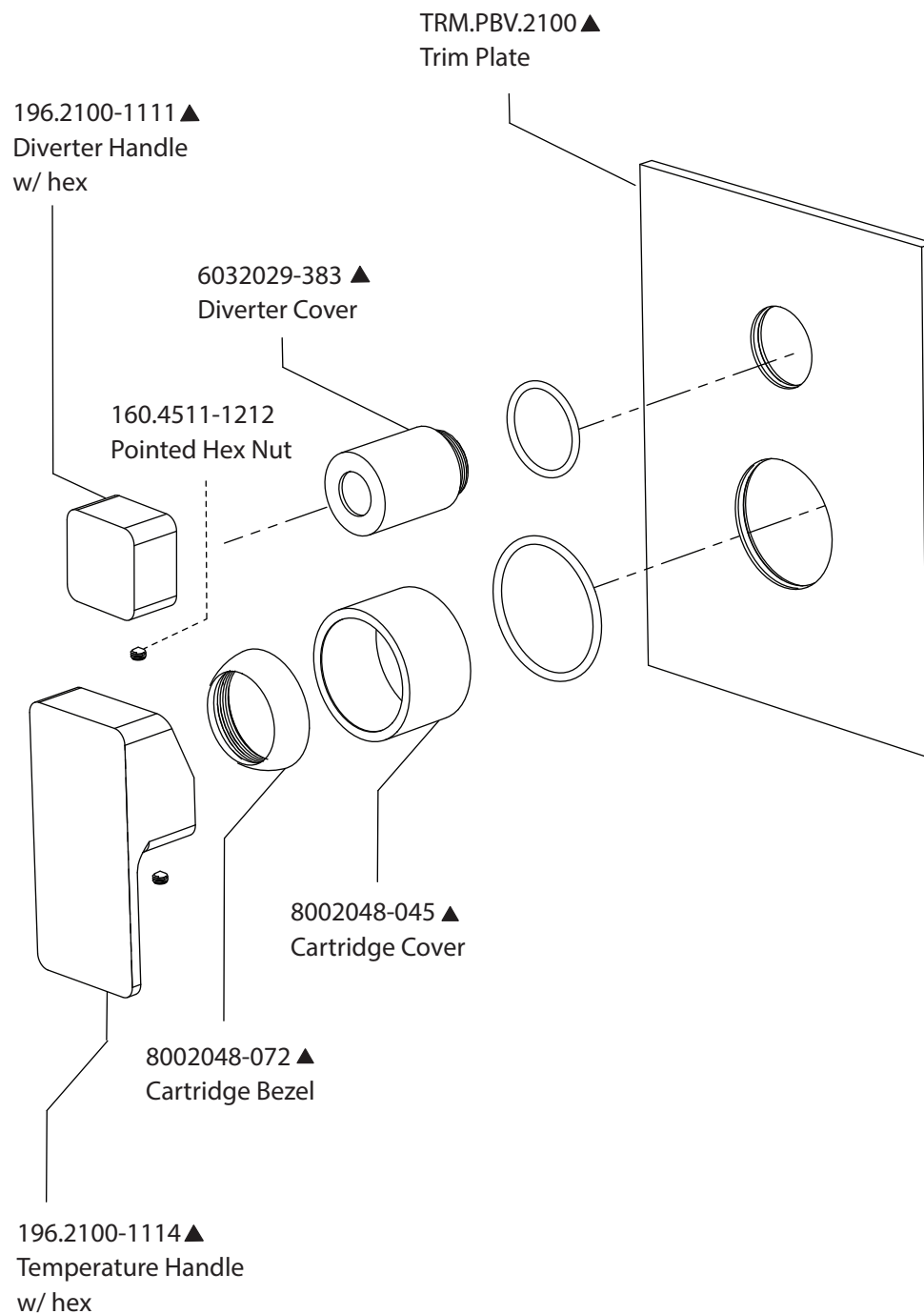
**isenberg**  
innovation+design

HS1020

Ver 2.53

# Product Parts Breakdown

▲ Specify Finish

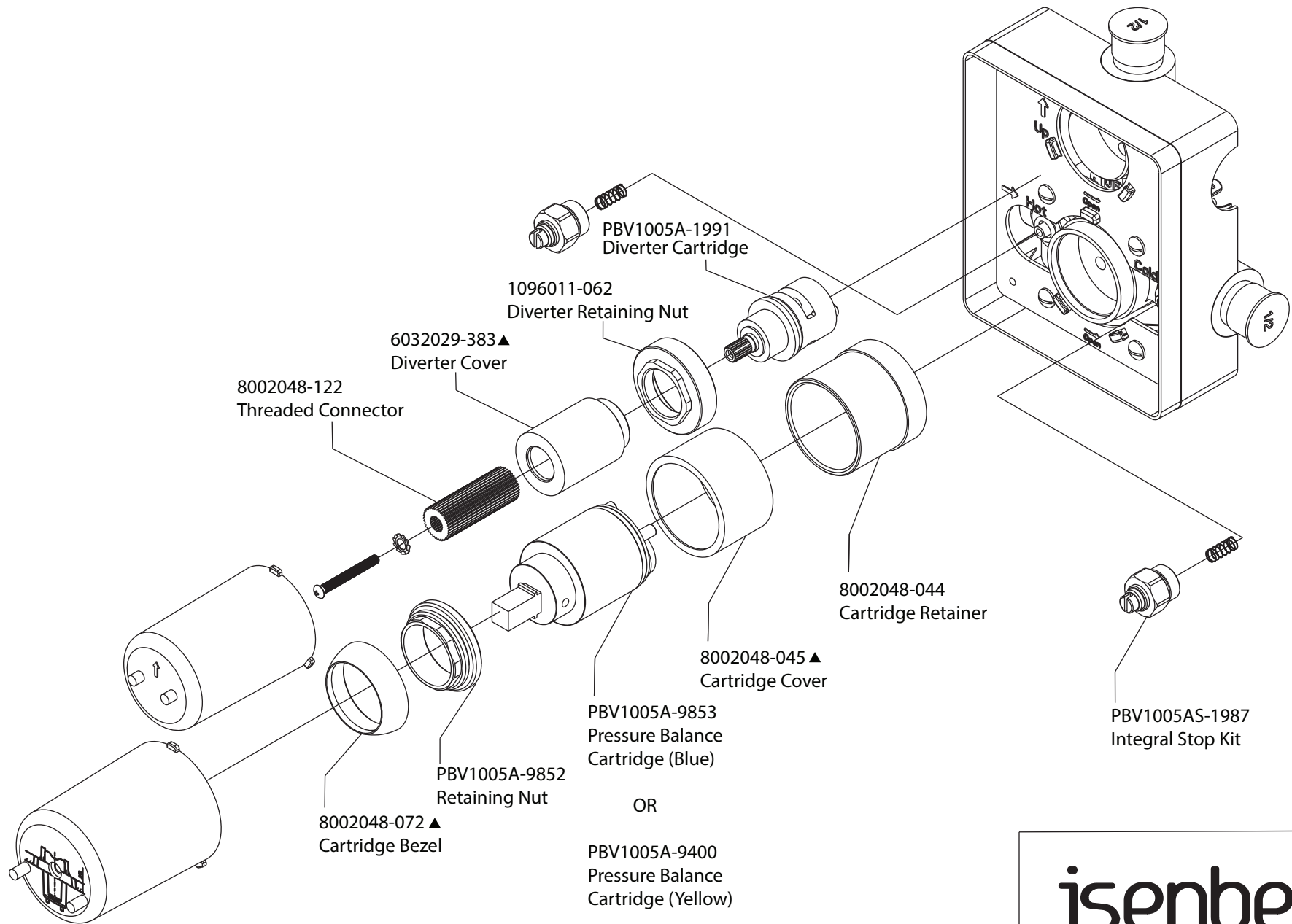


**isenberg**  
innovation+design

196.2100T

Ver 2.53

# Product Parts Breakdown

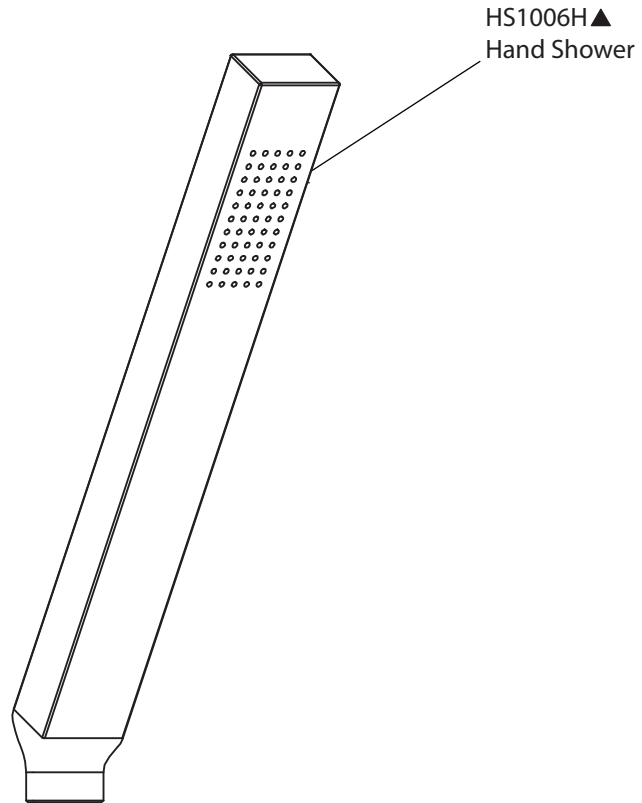


**isenberg**  
innovation+design

PBV1005A

# Product Parts Breakdown

▲ Specify Finish

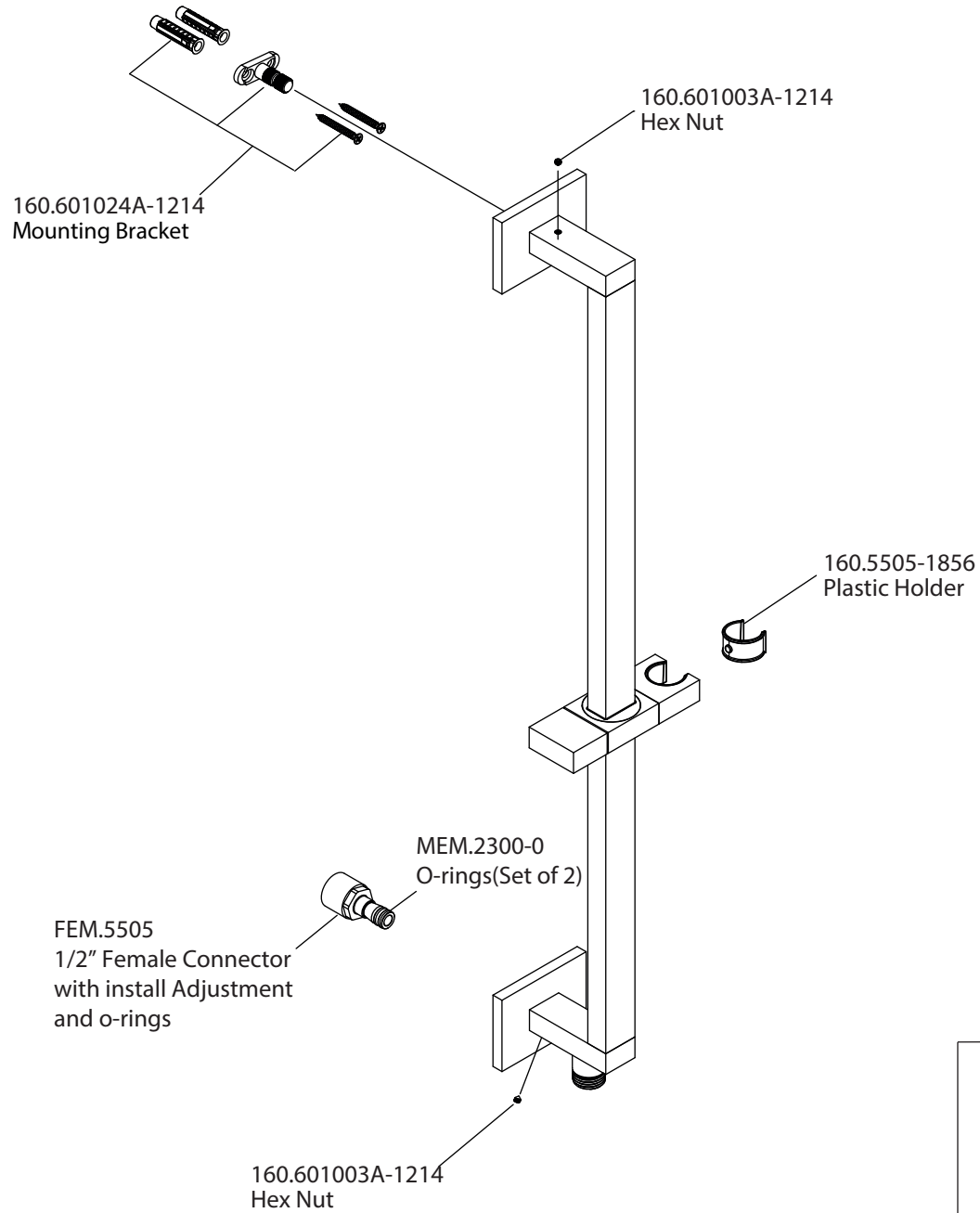


**isenberg**  
innovation+design

HS1006H

Ver 2.55

# Product Parts Breakdown



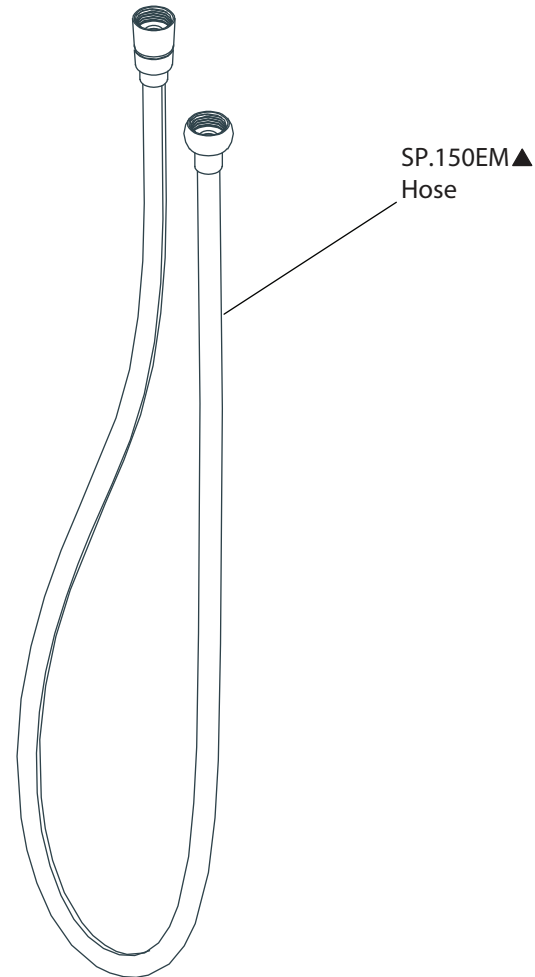
**isenberg**  
innovation+design

160.601024A

Ver 2.54

# Product Parts Breakdown

▲ Specify Finish



**isenberg**  
innovation+design

SP.150EM

Ver 2.55