



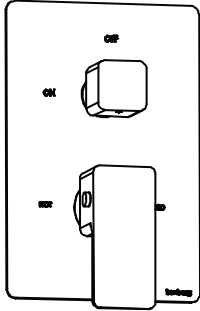
196.4102 | 3/4" Thermostatic Valve With Volume Control & Trim

SPECIFICATIONS:

- Turn bottom handle to control temperature.
- Turn top handle to control volume.
- Includes Thermostatic valve (TVH.4101) w/ service stops
- Thermostatic Valve Flow Rate - 13.0 GPM @ 60 PSI

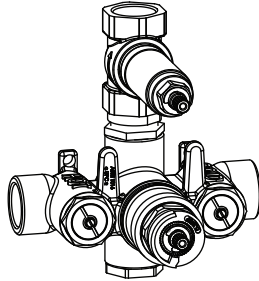
FAST SHIP FINISHES :

- Chrome - 196.4102CP / Brushed Nickel - 196.4102BN



Trim
[196.4102T**]

+



Valve
[TVH.4101]

** Denotes Finish (CP, BN, etc.)

Belgian Mirror Finish



Legislation Compliance

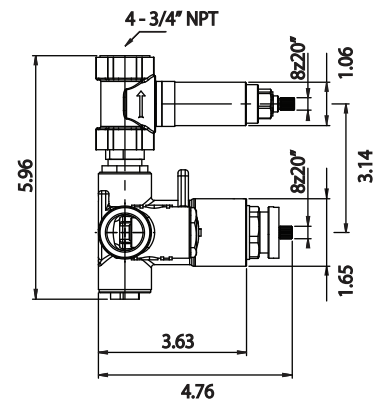
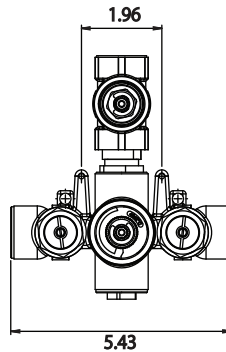
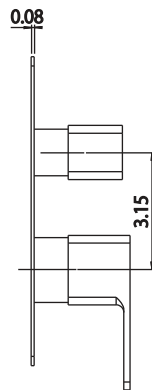
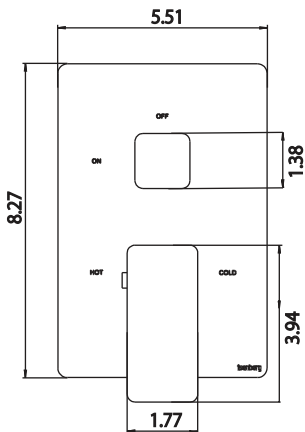


ZeroDrip Technology

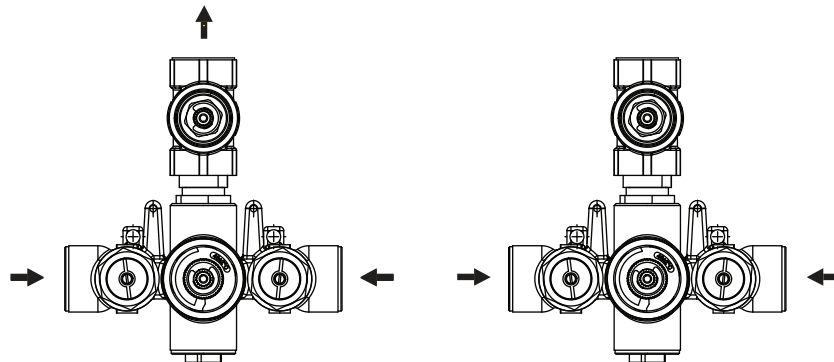


See Spec Sheet For
TVH.4101 For Detailed
Information On Valve.

Technical Diagram



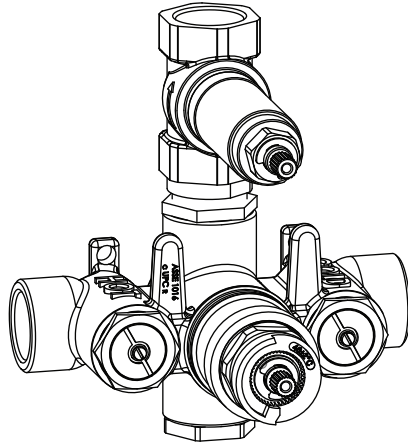
Water Diversion Diagram



Diverter Position = ON

Diverter Position = OFF

TVH.4101 | 3/4" Thermostatic Valve With Volume Control Page 1 of 2



SPECIFICATIONS:

- Turn bottom knob to control temperature.
- Turn top knob to control water flow.
- Thermostatic Valve Flow Rate - 13.0 GPM @ 60 PSI

STANDARDS:

- ASME A112.18.1 / CSA B125.1

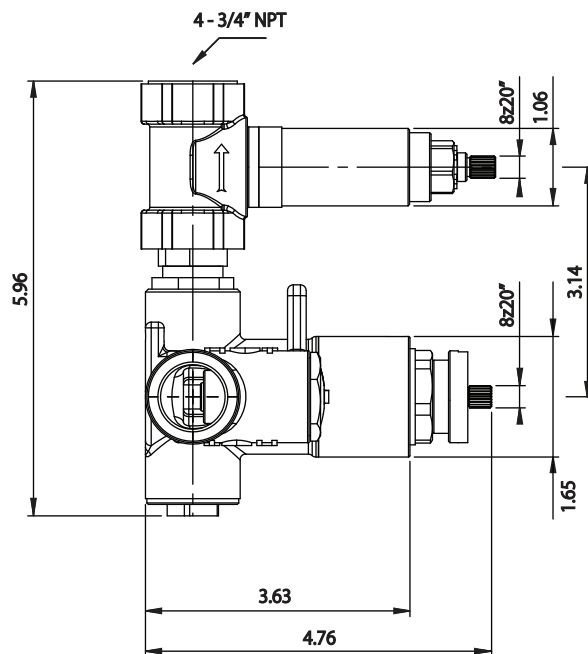
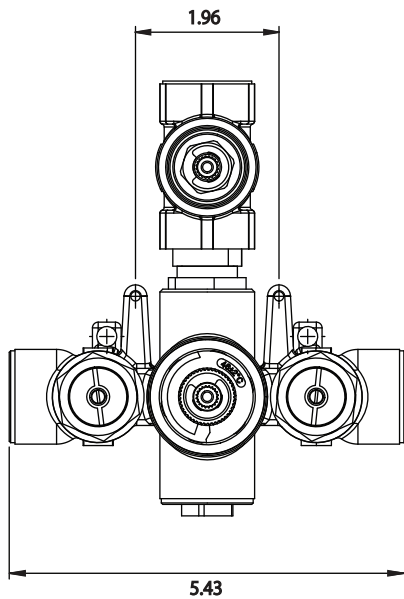
Legislation Compliance



ZeroDrip Technology



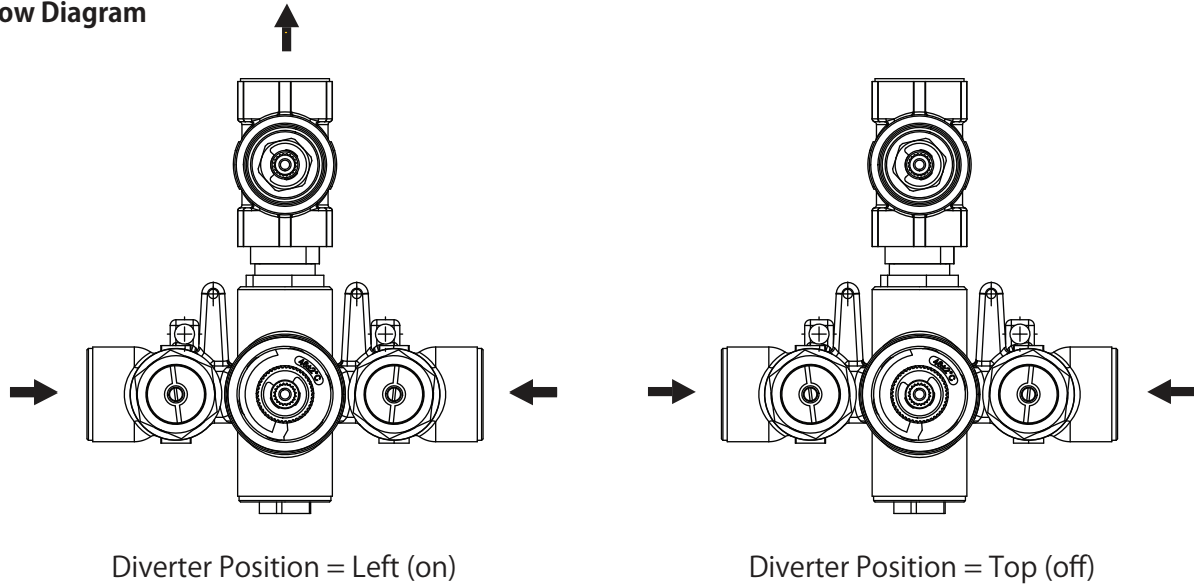
Technical Diagram



TVH.4101 | 3/4" Thermostatic Valve With Volume Control Page 2 of 2



Water Flow Diagram



Extension Kits*

- a) Thermostatic Handle Extension - TVH.E185CP - Chrome
TVH.EA07BN - Brushed Nickel
- b) Volume Control Handle Extension - TVH.E137

* QTY = 1 of 'a' and QTY = 1 of 'b' above needed for complete valve extension