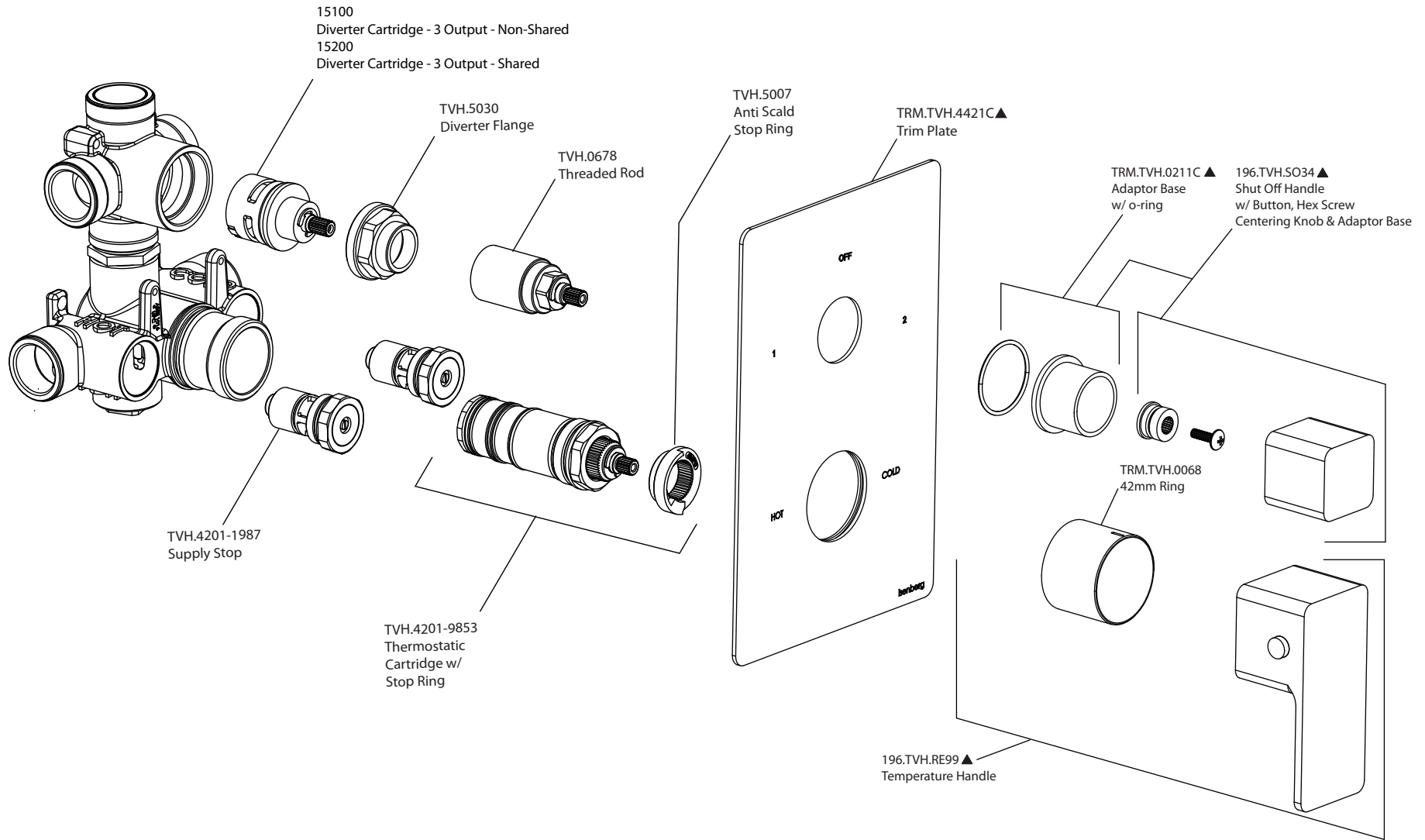


# Product Parts Breakdown

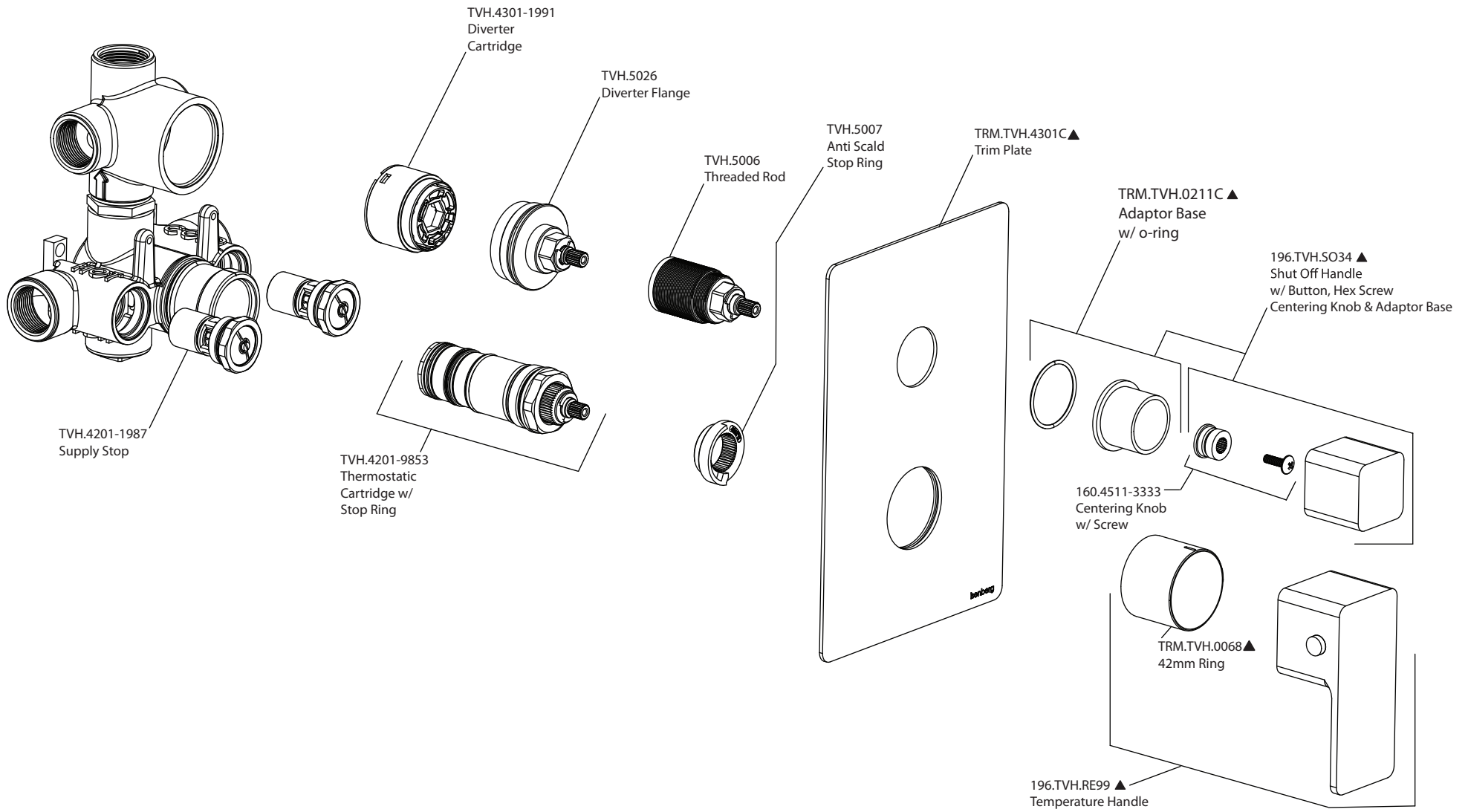
## Using TVH.4301F Valve



**isenberg**  
innovation+design

196.4302

# Product Parts Breakdown Using TVH.4301 Valve



**isenberg**  
innovation+design

196.4302