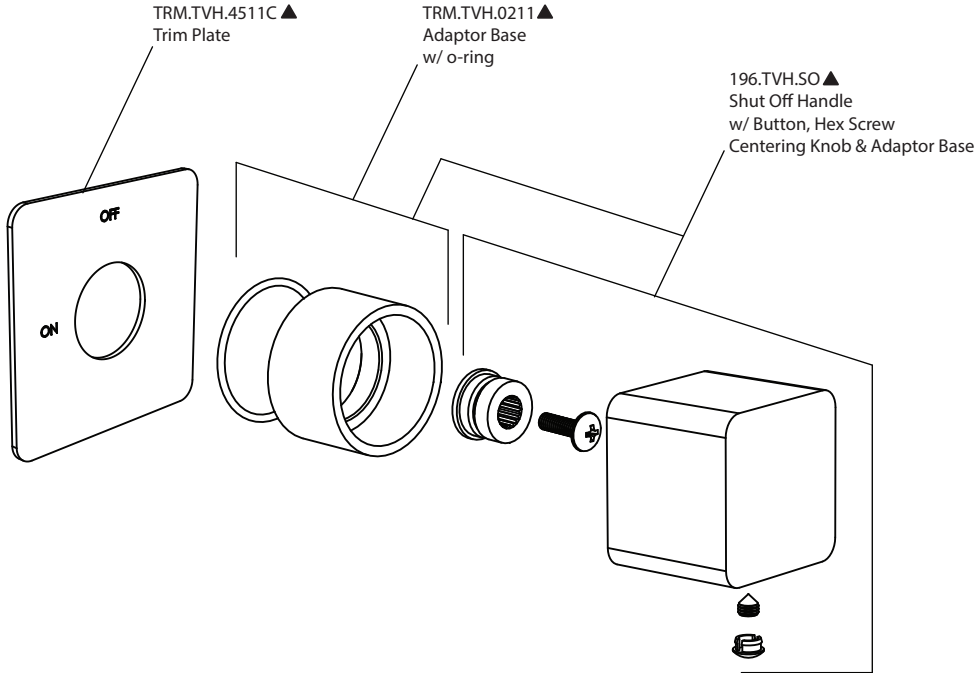


Product Parts Breakdown



isenberg
innovation+design

196.4511T

Ver 2.53