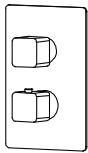


196.7000 | Single Output Shower W/ Rain Head



COMPONENTS

- HS1050 - 15" Shower Arm
- HSB.10C - 10" Shower Head
- 196.4101T - Shower Trim
- TVH.4101 - 3/4" Shower Valve

SHOWER VALVE:

- Thermostatic shower valve
- Valve includes service stops
- Turn bottom handle to set temp.
- Top handle controls water volume

SHOWER HEAD:

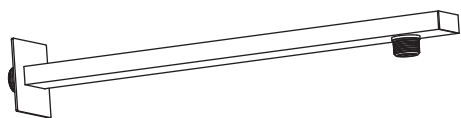
- Solid brass construction
- 1.8 GPM flow rate

STANDARDS:

- ASME A112.18.1 / CSA B125.1

See individual component specification sheets on following pages for further details.

HS1050 | Square Shower Arm - 15"



SPECIFICATIONS:

- Solid Brass Shower Arm
- With Fixed Flange

FINISHES :

- Chrome - HS1050CP / Brushed Nickel - HS1050BN

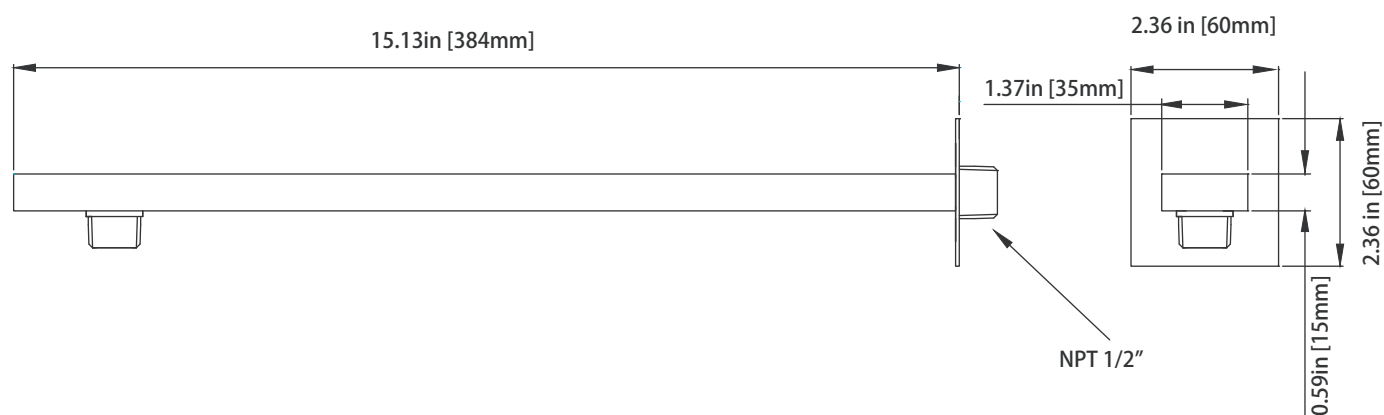
Legislation Compliance



ZeroDrip Technology



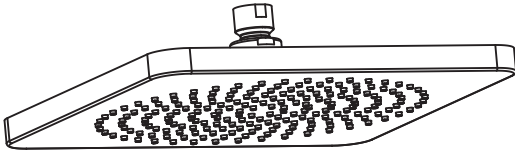
Technical Diagram



HSB.10C | 10" Brass Shower Head

SPECIFICATIONS:

- Solid Brass Shower Head
- Scrub rubber nozzles to easily clean water sediment
- 1.8 GPM Flow Rate
- 200 Nozzles
- Use with HS1050 Shower Arm



Legislation Compliance



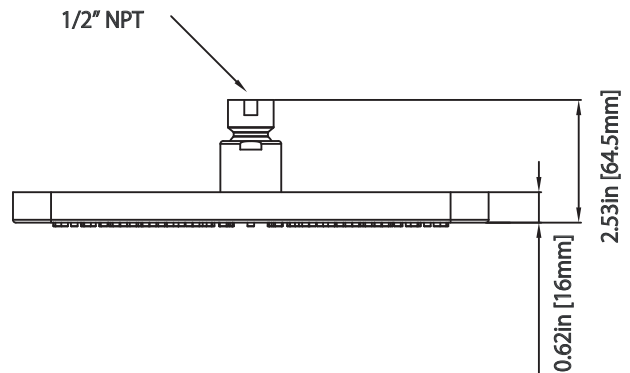
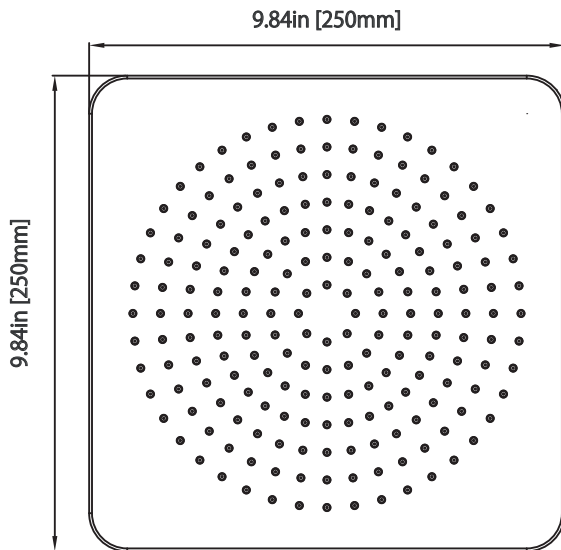
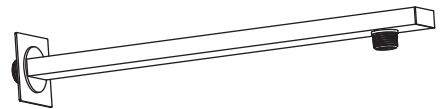
ZeroDrip Technology



Technical Diagram

MATCHING SHOWER ARM:

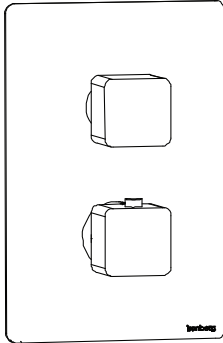
- 1) HS1050 (15" Wall Mount Shower Arm)



196.4000T | Thermostatic Shower Trim

SPECIFICATIONS:

- Solid Brass construction
- Valve not included - trim only
- Turn bottom handle to control temperature.
- Turn top handle to divert water & control volume



Belgian Mirror Finish



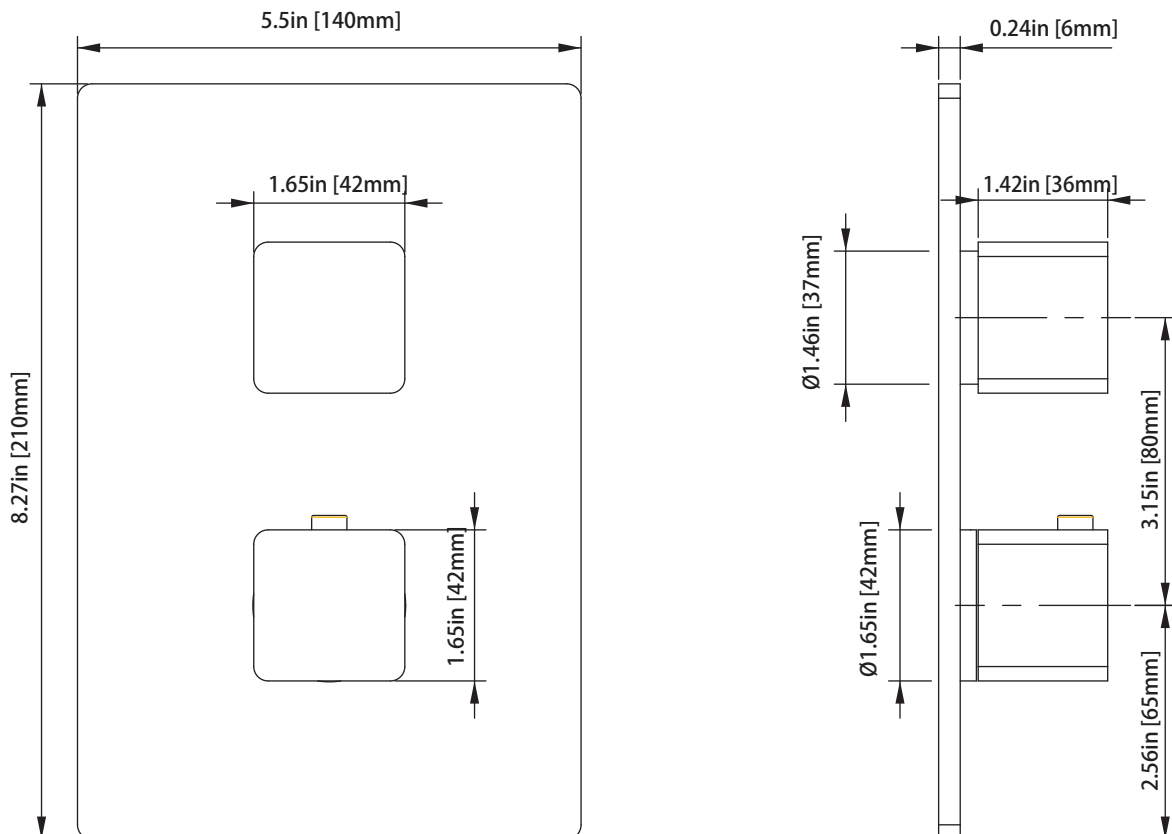
Legislation Compliance



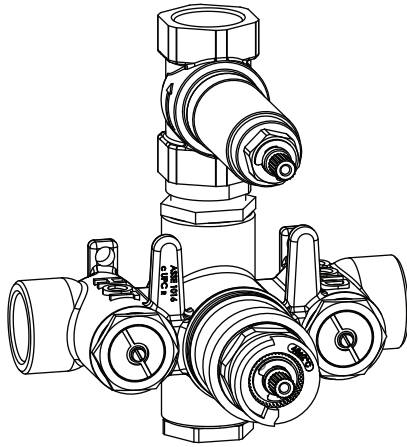
ZeroDrip Technology



Technical Diagram



TVH.4101 | 3/4" Thermostatic Valve With Volume Control Page 1 of 2



SPECIFICATIONS:

- Turn bottom knob to control temperature.
- Turn top knob to control water flow.
- Thermostatic Valve Flow Rate - 13.0 GPM @ 60 PSI

STANDARDS:

- ASME A112.18.1 / CSA B125.1

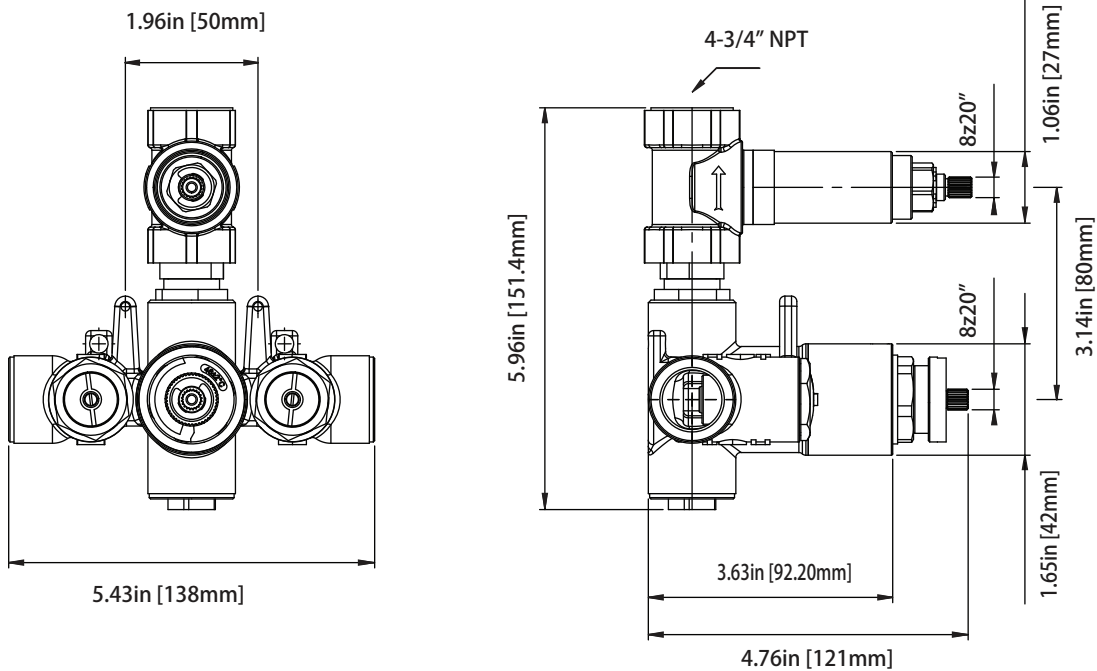
Legislation Compliance



ZeroDrip Technology



Technical Diagram



TVH.4101 | 3/4" Thermostatic Valve With Volume Control Page 2 of 2



Water Flow Diagram

