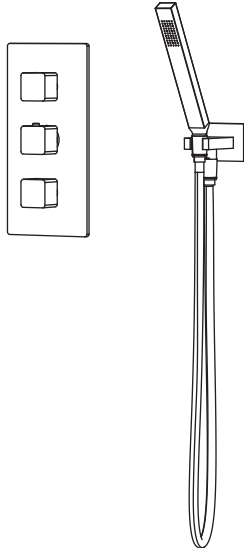


196.7150 | Two Output Shower W/ Rain Head & Hand Held



COMPONENTS

- HS1060 - 16" Shower Arm
- HSB.12C - 10" Shower Head
- 196.4500T - Shower Trim
- TVH.4401 - Shower Valve
- HS1006H - Hand Held
- HS8006 - Wall Elbow w/ Holder
- SP.150EM - 1.5m Hose

SHOWER VALVE:

- Thermostatic shower valve
- Valve includes service stops
- Bottom handle controls handheld.
- Top handle controls shower head
- Middle handle controls temperature
- Shared port operation

SHOWER HEAD:

- Solid brass construction
- 1.8 GPM flow rate

HAND HELD:

- Solid Brass construction
- 1.8 GPM flow rate
- 1/2" female NPT connection
- With back flow prevention check valve

STANDARDS:

- ASME A112.18.1 / CSA B125.1

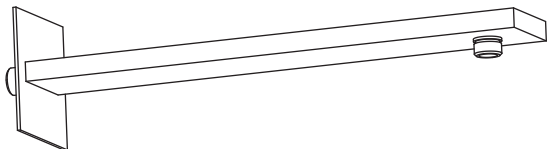
See individual component specification sheets on following pages for further details.



HS1060 | Square Shower Arm - 16"

SPECIFICATIONS:

- Solid Brass Shower Arm
- With Sliding Flange



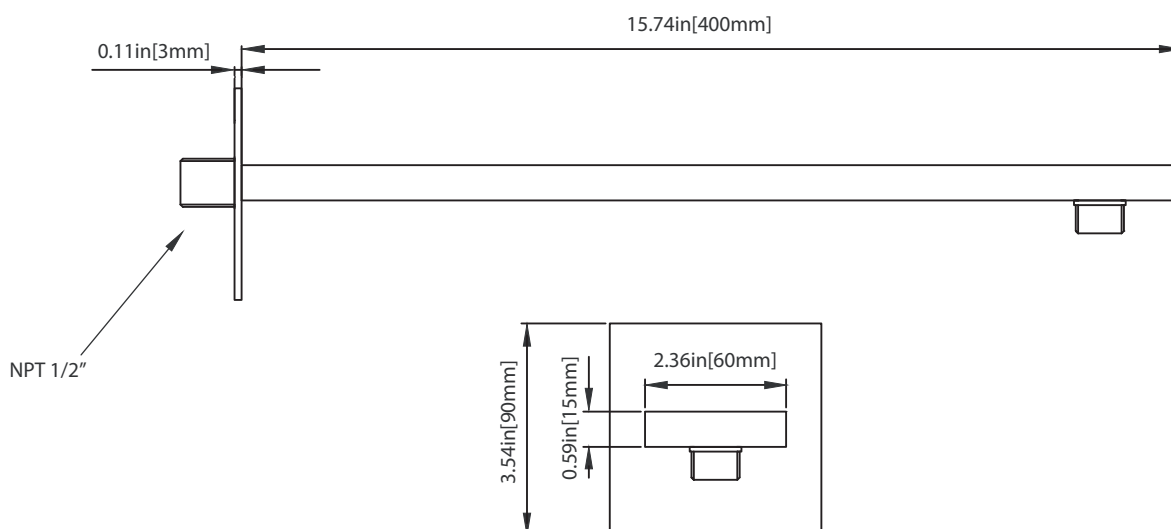
Legislation Compliance



ZeroDrip Technology



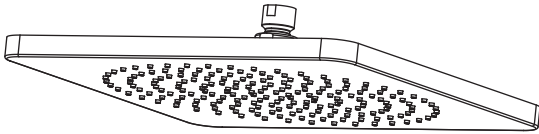
Technical Diagram



HSB.12C | 12" Brass Shower Head

SPECIFICATIONS:

- Solid Brass Shower Head
- Scrub rubber nozzles to easily clean water sediment
- 1.8 GPM Flow Rate
- 196 Nozzles



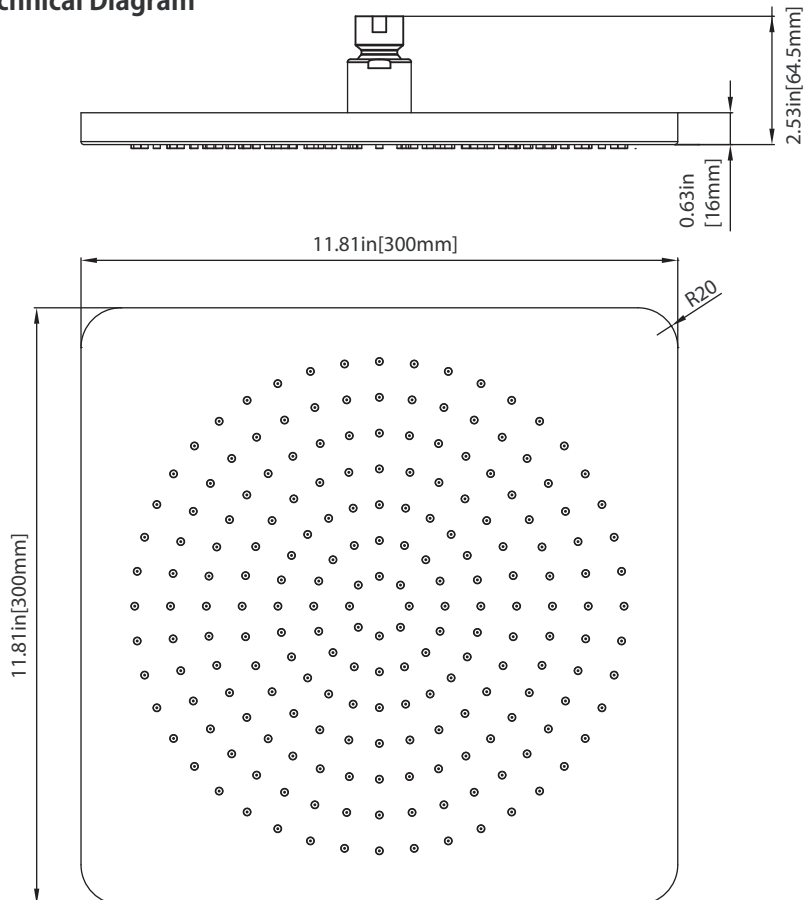
Legislation Compliance



ZeroDrip Technology

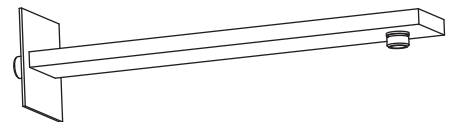


Technical Diagram

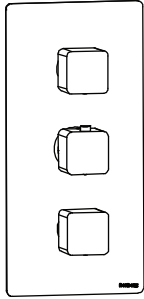


MATCHING SHOWER ARM:

- 1) HS1060 (16" Wall Mount Shower Arm)



196.4500T | Thermostatic Shower Trim



SPECIFICATIONS:

- Solid Brass construction
- Trim only - valve not included
- Turn middle knob to control temperature.
- Turn top knob to divert water flow between two top outlets.
- Turn bottom knob to control water flow of bottom outlet.

Belgian Mirror Finish



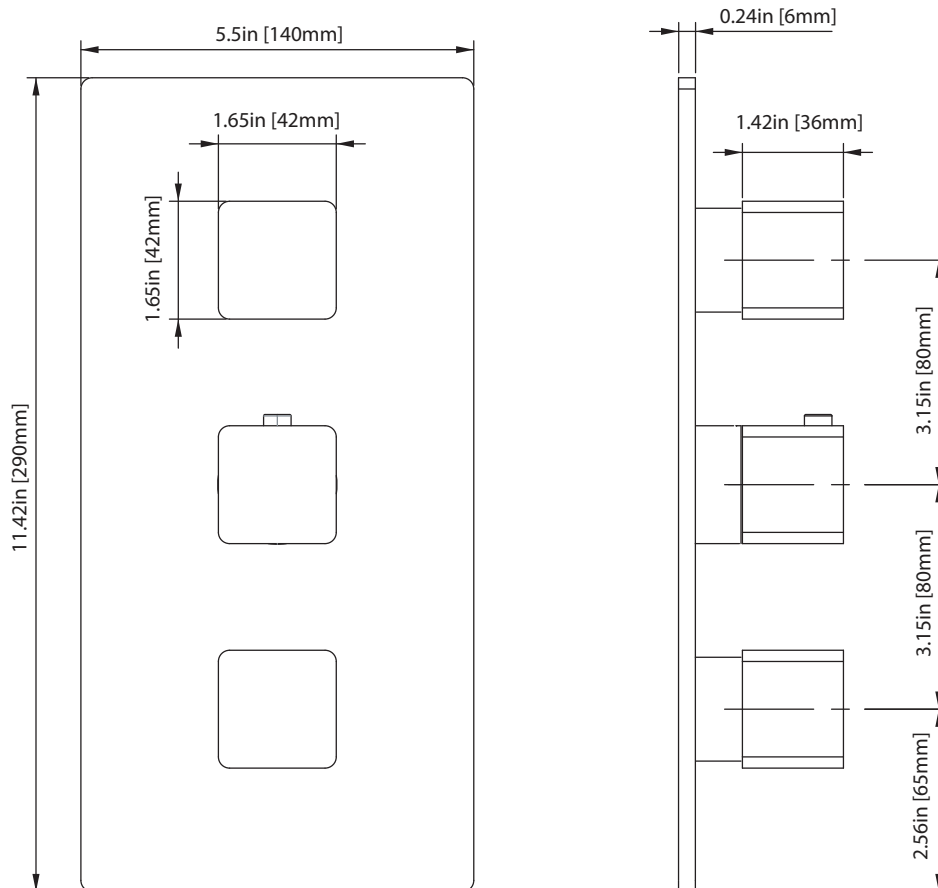
Legislation Compliance



ZeroDrip Technology



Technical Diagram



TVH.4401 | 3/4" Thermostatic Valve With 2 Independent Volume Controls Page 1 of 2



SPECIFICATIONS:

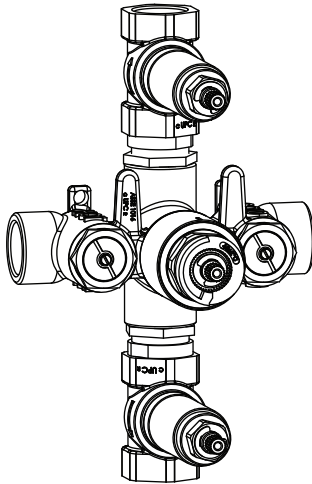
- Turn middle knob to control temperature.
- Turn top knob to control water flow from top output.
- Turn bottom to control water flow from bottom output.
- Thermostatic Valve Flow Rate - 13.0 GPM @ 60 PSI

STANDARDS:

- ASME A112.18.1 / CSA B125.1

WARRANTY:

- Limited lifetime warranty to the original consumer purchaser against finish and workmanship



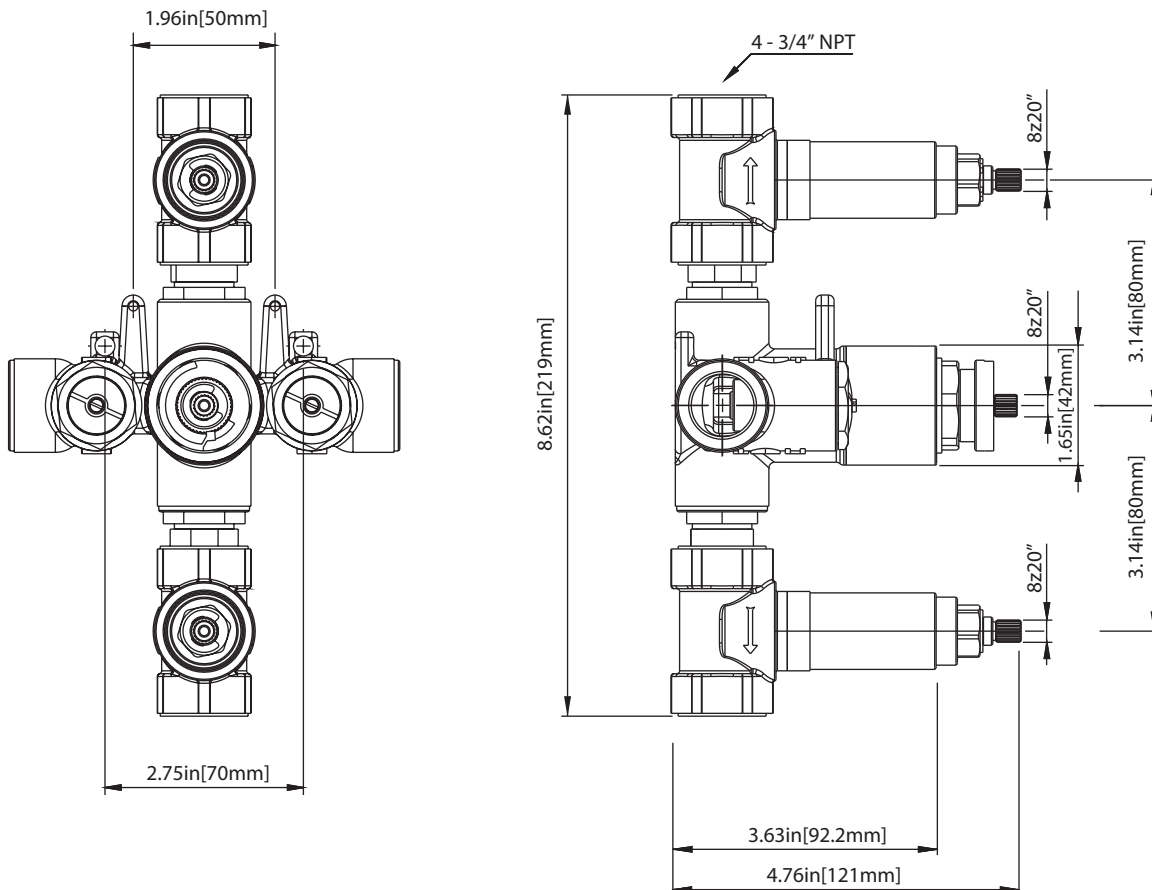
Legislation Compliance



ZeroDrip Technology



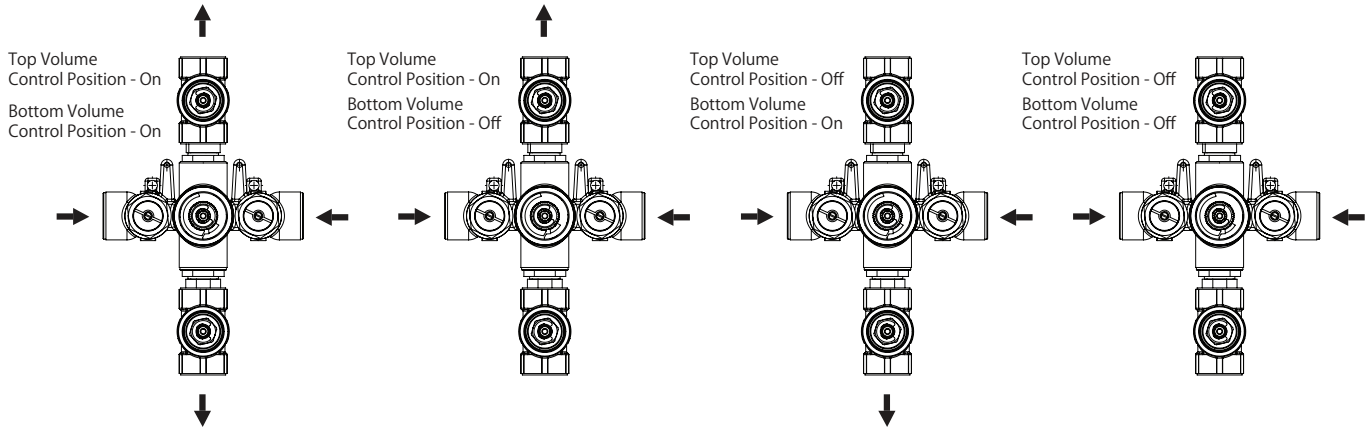
Technical Diagram



TVH.4401 | 3/4" Thermostatic Valve With 2 Independent Volume Controls Page 2 of 2



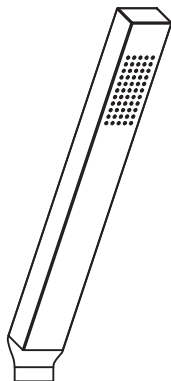
Water Flow Diagram



HS1006H | Solid Brass Hand Shower

SPECIFICATIONS:

- Solid Brass Construction
- 1.8 GPM Flow Rate
- With back flow prevention check valve



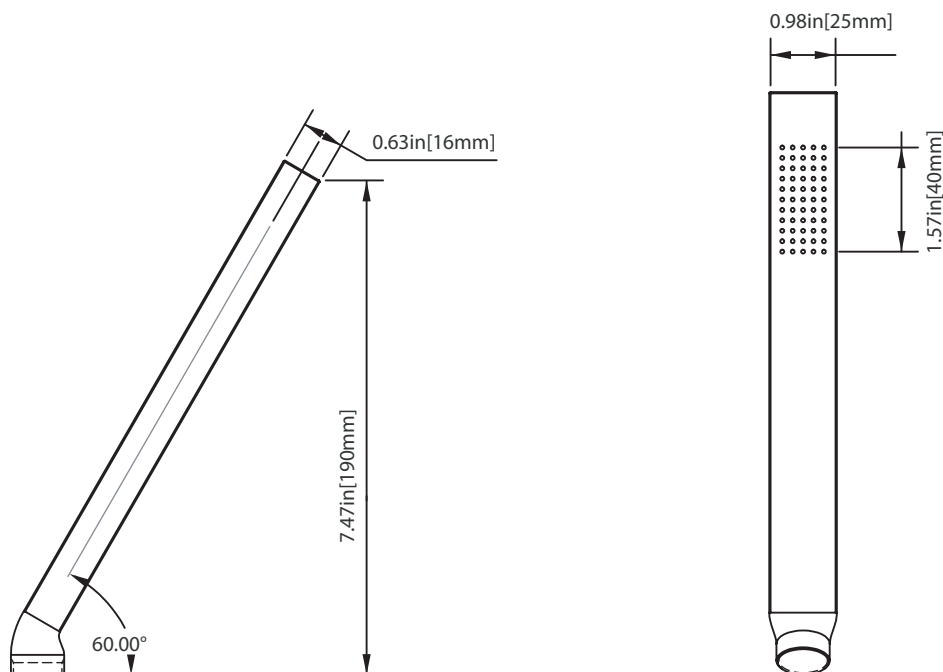
Legislation Compliance



ZeroDrip Technology



Technical Diagram



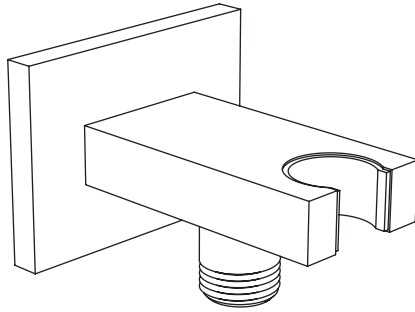
HS8006 | Wall Elbow With Holder Combo

SPECIFICATIONS:

- Solid Brass Construction
- Includes Check Valve with back flow prevention.

FAST SHIP FINISHES :

- Chrome - HS8006CP / Brushed Nickel - HS8006BN



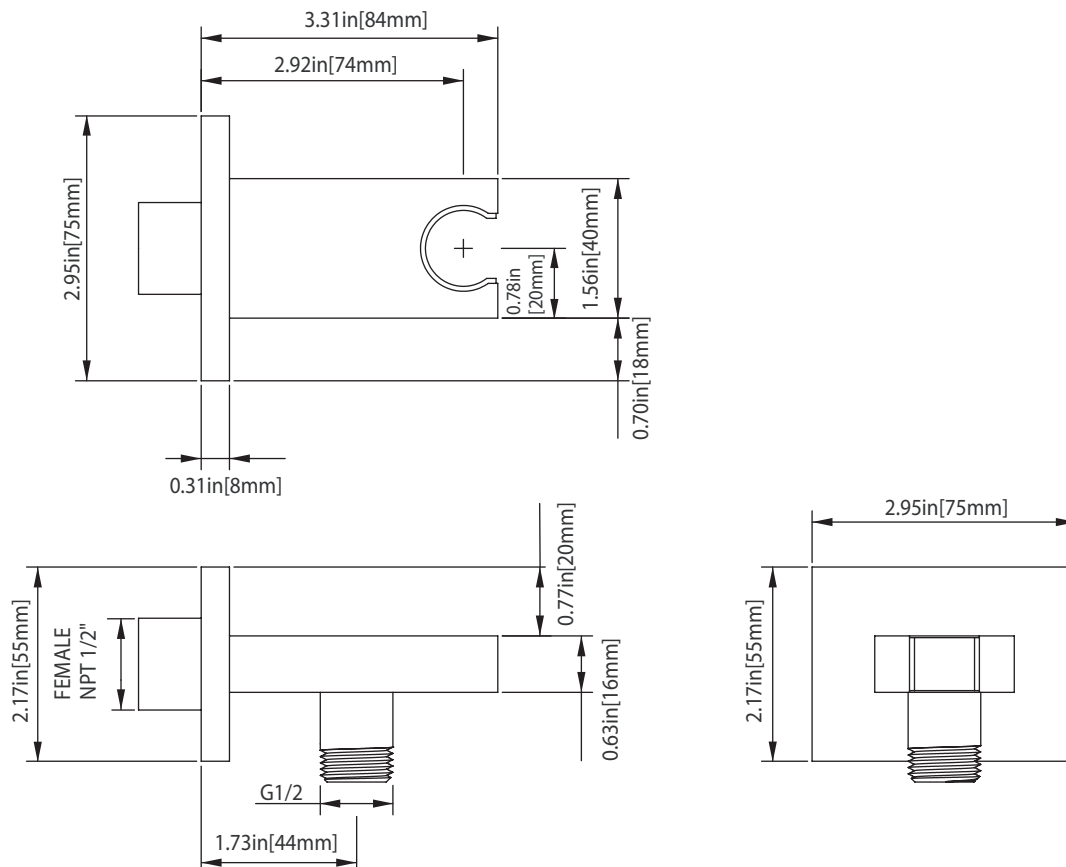
Legislation Compliance



ZeroDrip Technology



Technical Diagram



SP.150EM | Easy Maneuver Hose



SPECIFICATIONS:

- Stainless steel construction
- G-1/2" connection
- 1.5m length

Legislation Compliance



ZeroDrip Technology



Technical Diagram

