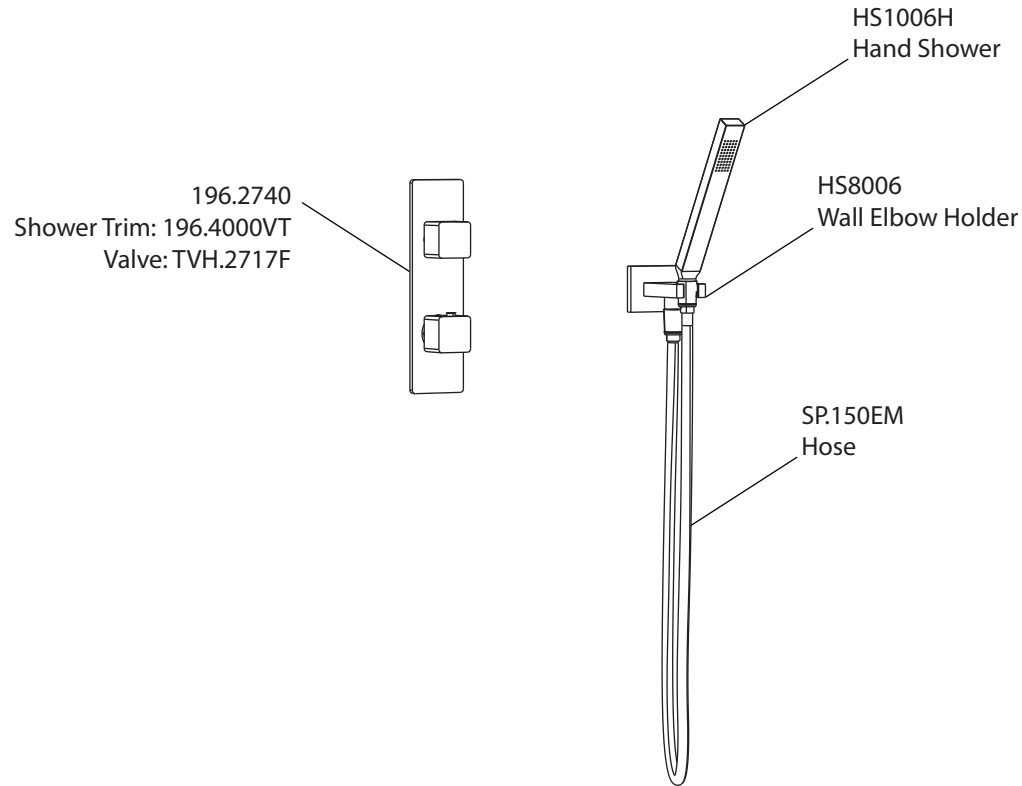
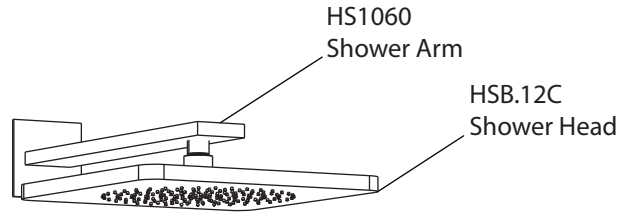


# Product Parts Breakdown

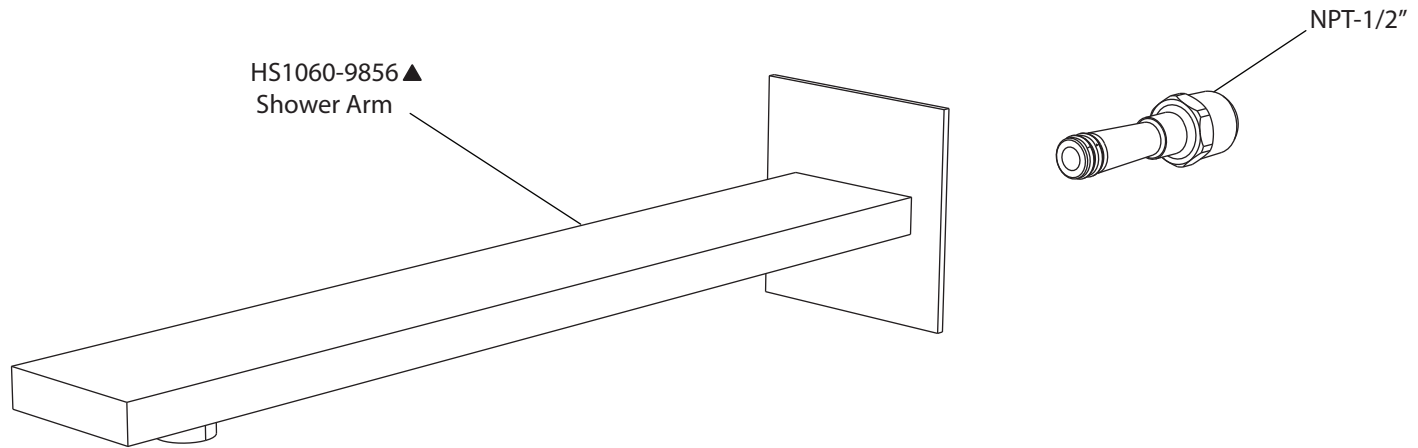


**isenberg**  
innovation+design

196.7250

# Product Parts Breakdown

▲ Specify Finish



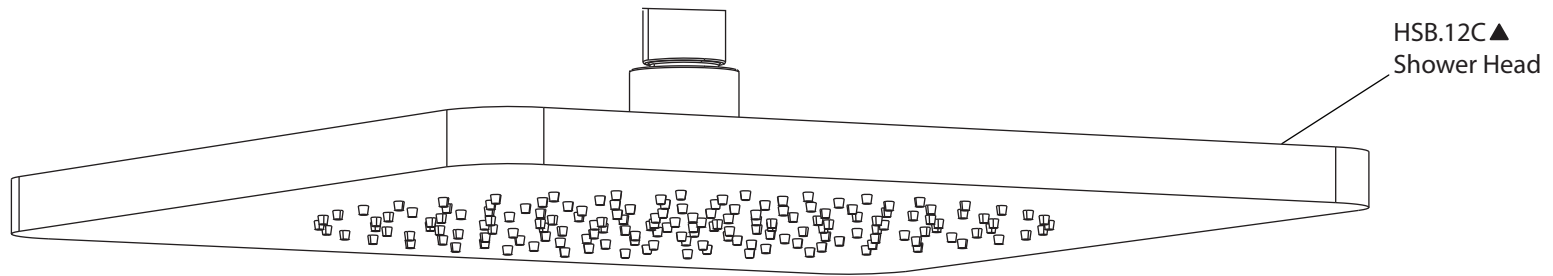
**isenberg**  
innovation+design

HS1060

Ver 2.53

# Product Parts Breakdown

▲ Specify Finish

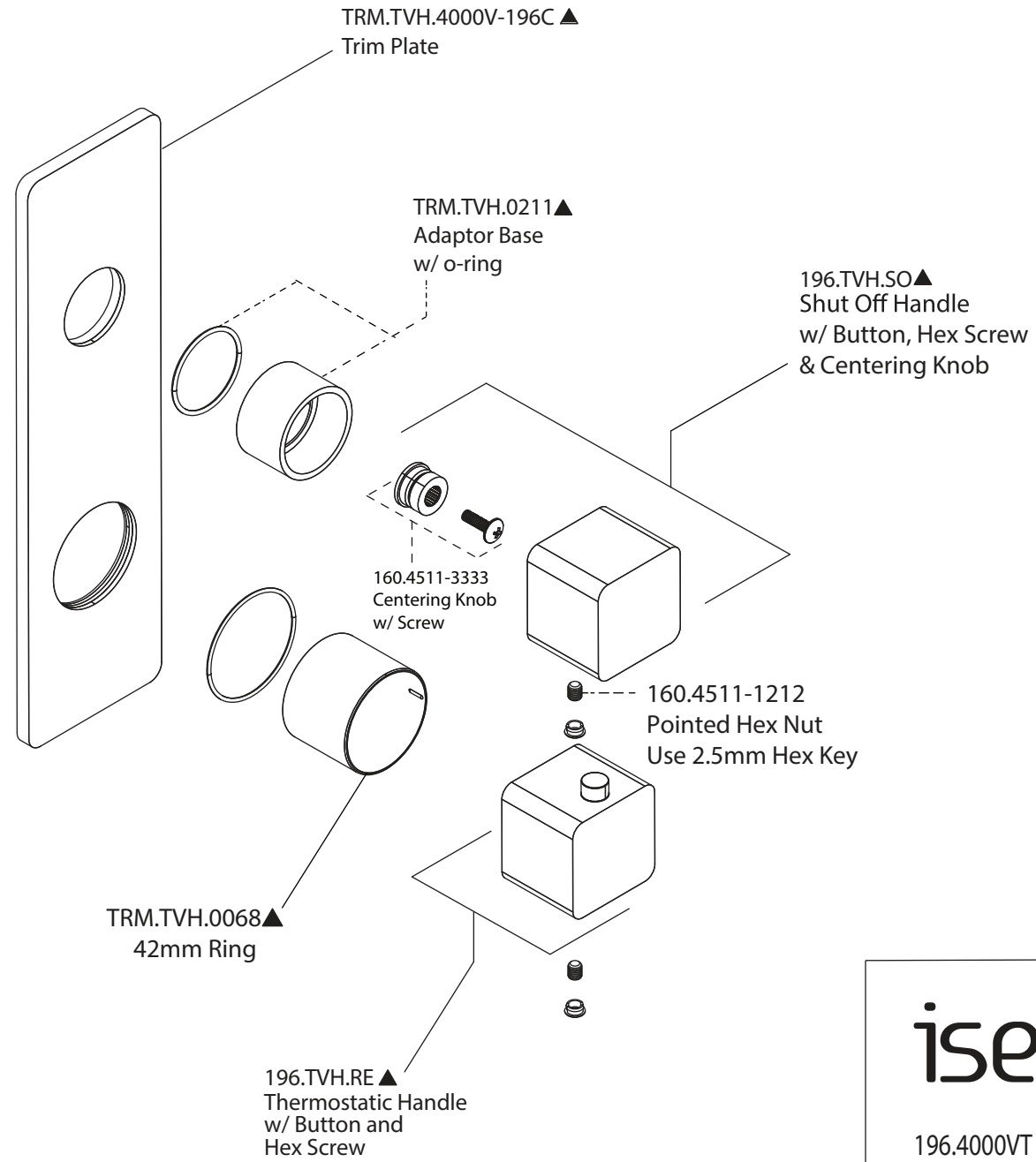


**isenberg**  
innovation+design

HSB.12C

Ver 2.53

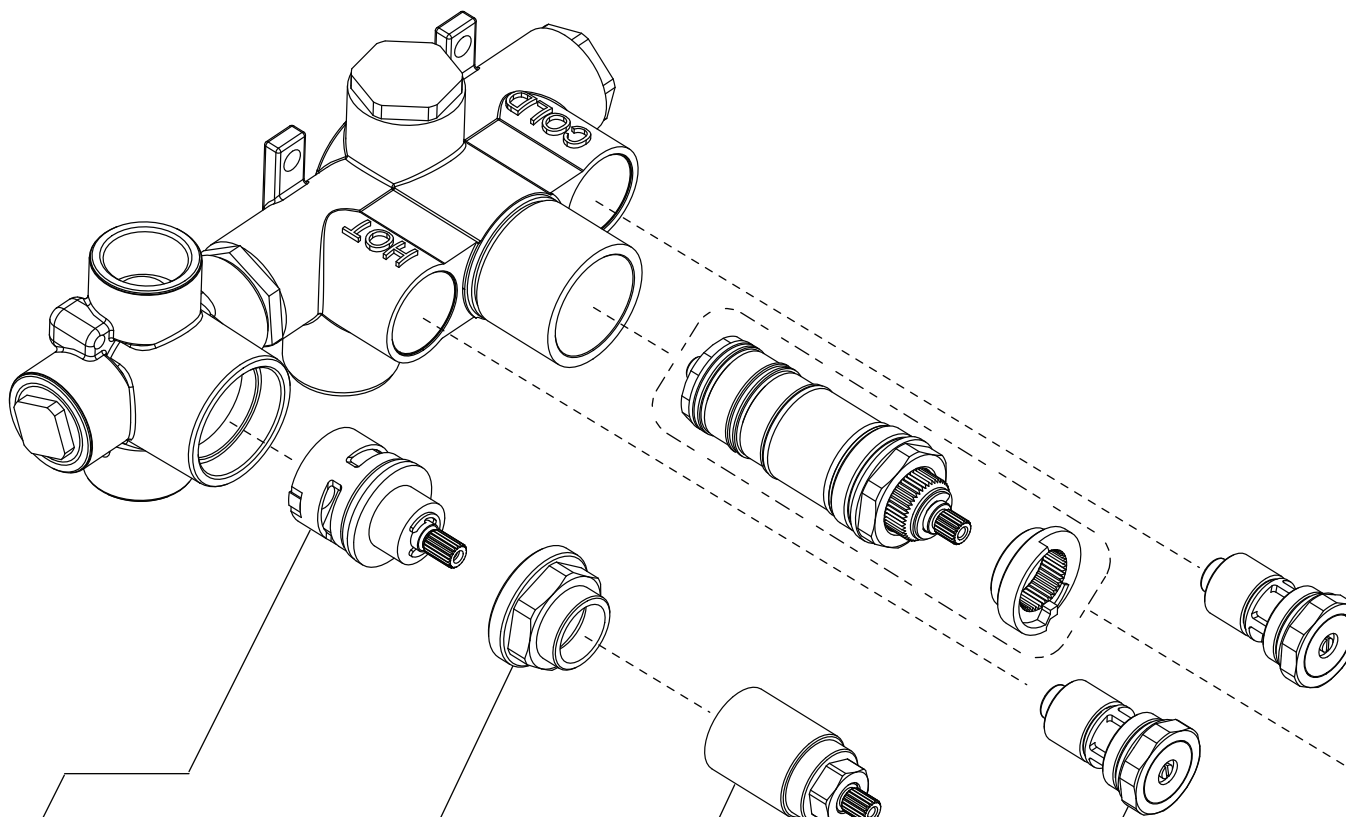
# Product Parts Breakdown



**isenberg**  
innovation+design

196.4000VT

# Product Parts Breakdown



15109  
Diverter Cartridge - 2 Output - Non-Shared  
15103  
Diverter Cartridge - 2 Output - Shared

TVH.5030  
Diverter Flange

TVH.0678  
Threaded Rod

TVH.4201-1987  
Supply Stop

TVH.4201-9853  
Thermostatic  
Cartridge w/  
Stop Ring

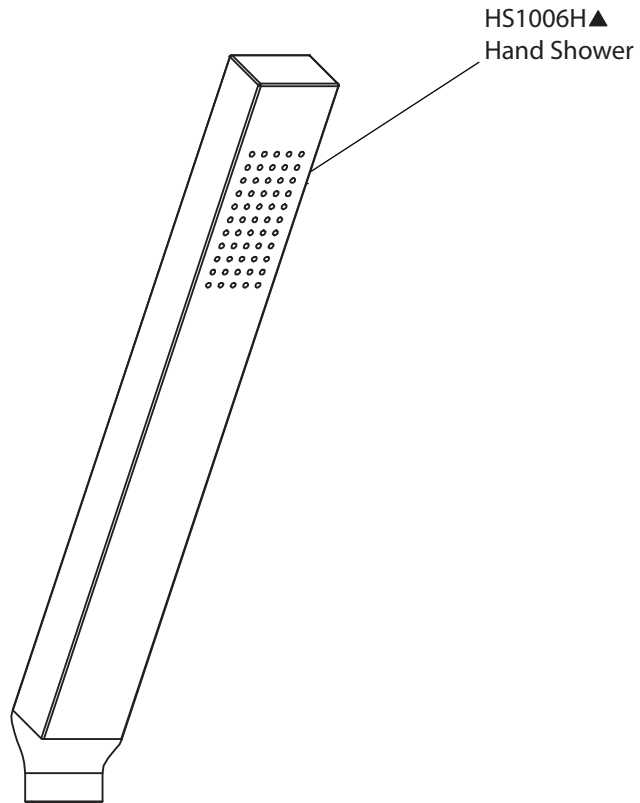
**isenberg**  
innovation+design

TVH.2717F

Ver 2.54

# Product Parts Breakdown

▲ Specify Finish

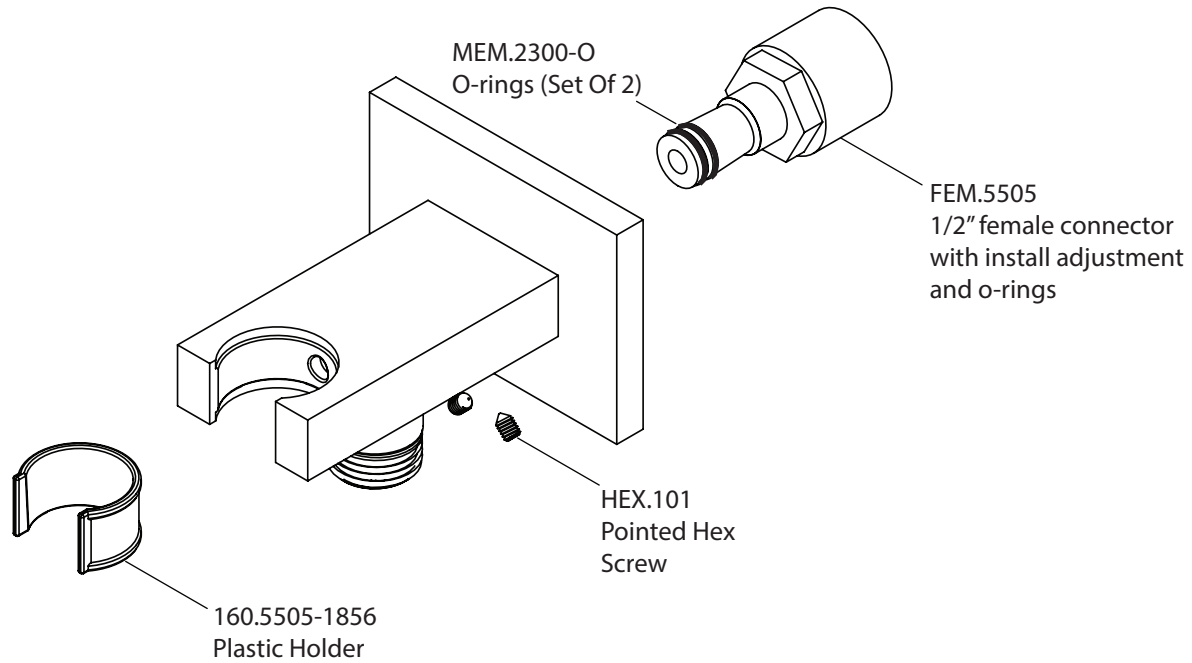


**isenberg**  
innovation+design

HS1006H

Ver 2.55

# Product Parts Breakdown



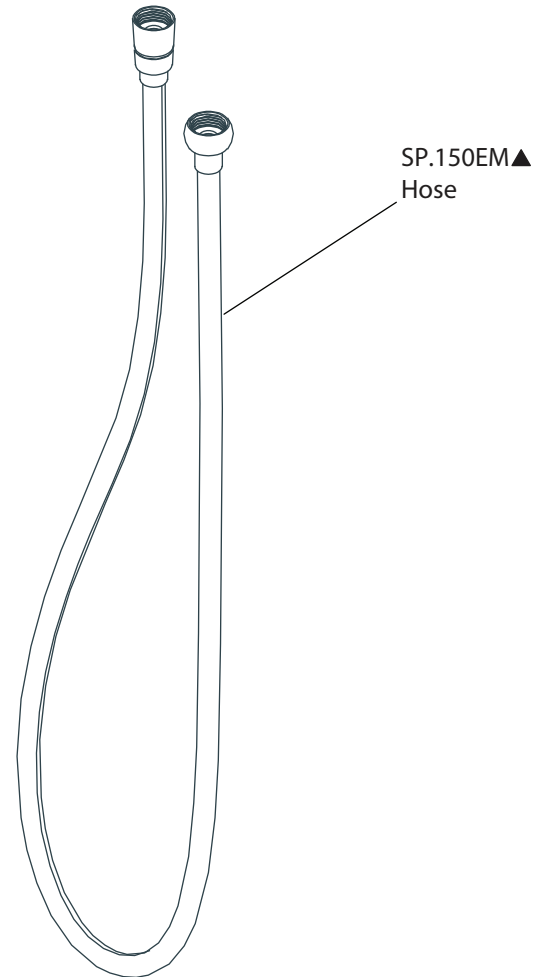
**isenberg**  
innovation+design

HS8006

Ver 2.54

# Product Parts Breakdown

▲ Specify Finish



**isenberg**  
innovation+design

SP.150EM

Ver 2.55