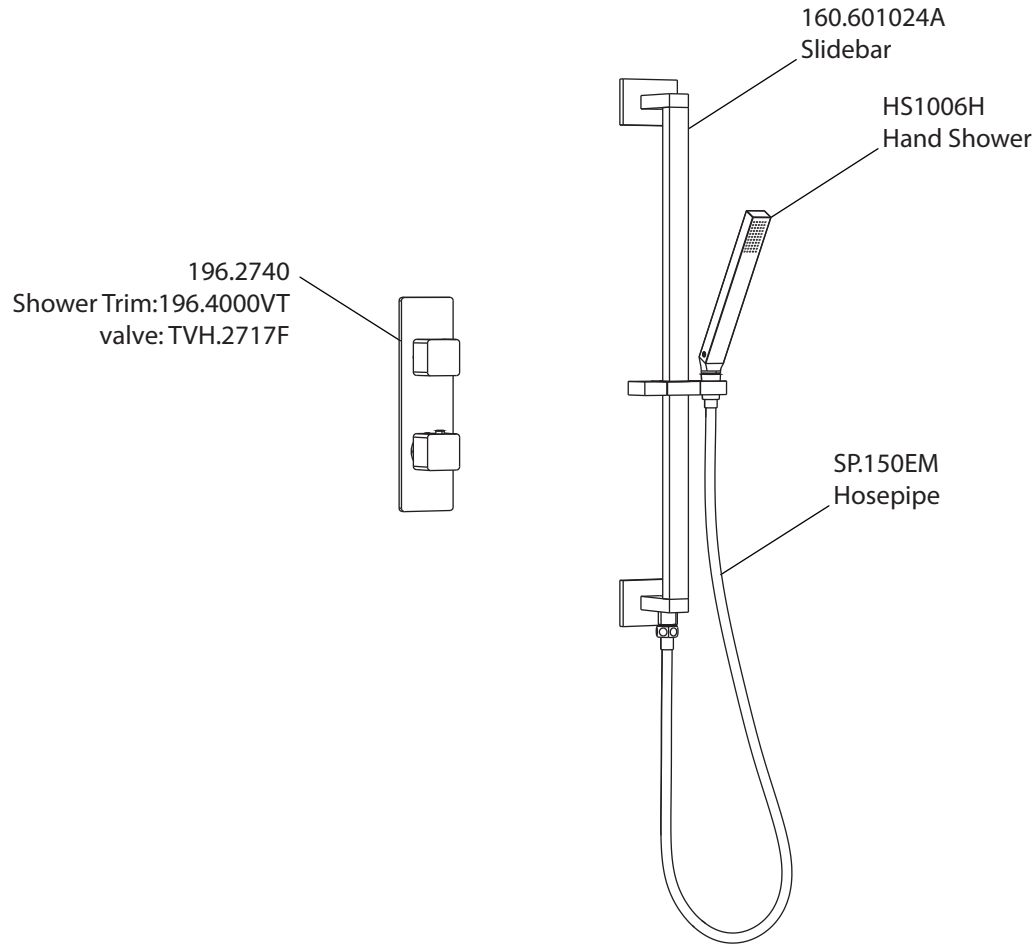
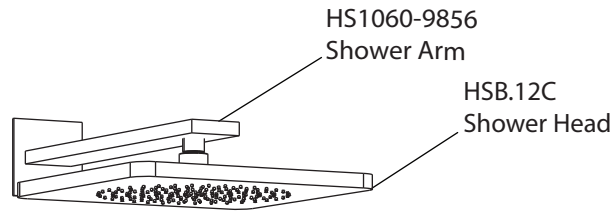


# Product Parts Breakdown

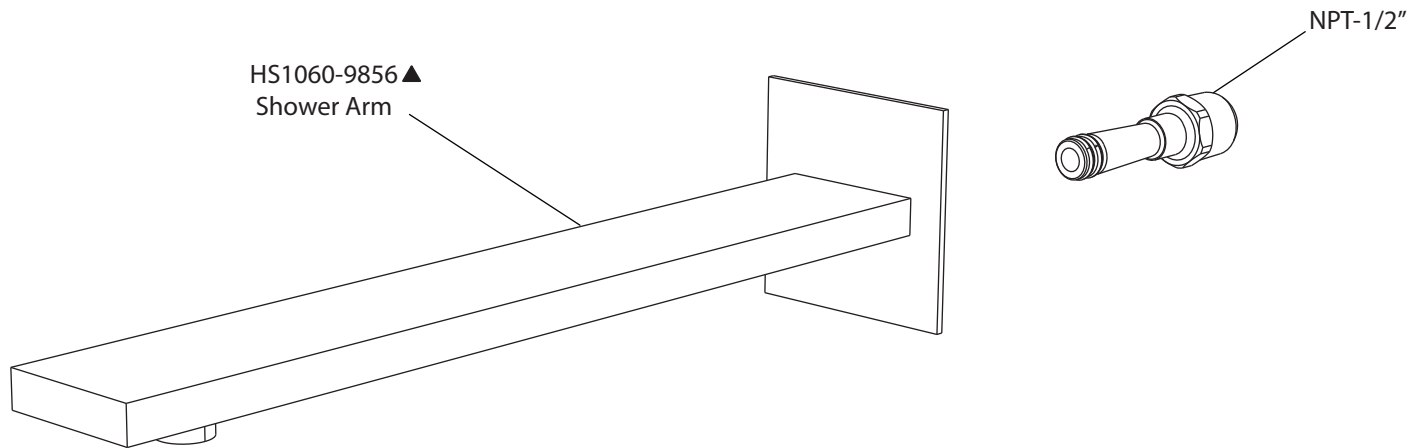


**isenberg**  
innovation+design

196.7350

# Product Parts Breakdown

▲ Specify Finish



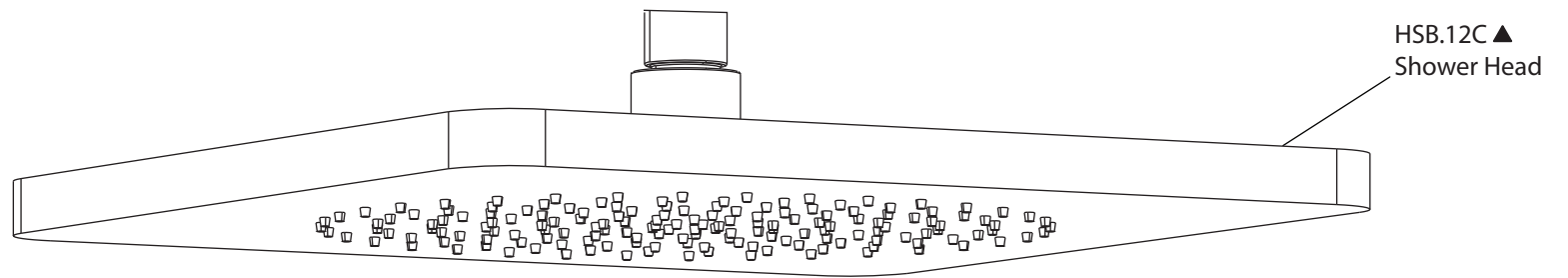
**isenberg**  
innovation+design

HS1060

Ver 2.53

# Product Parts Breakdown

▲ Specify Finish

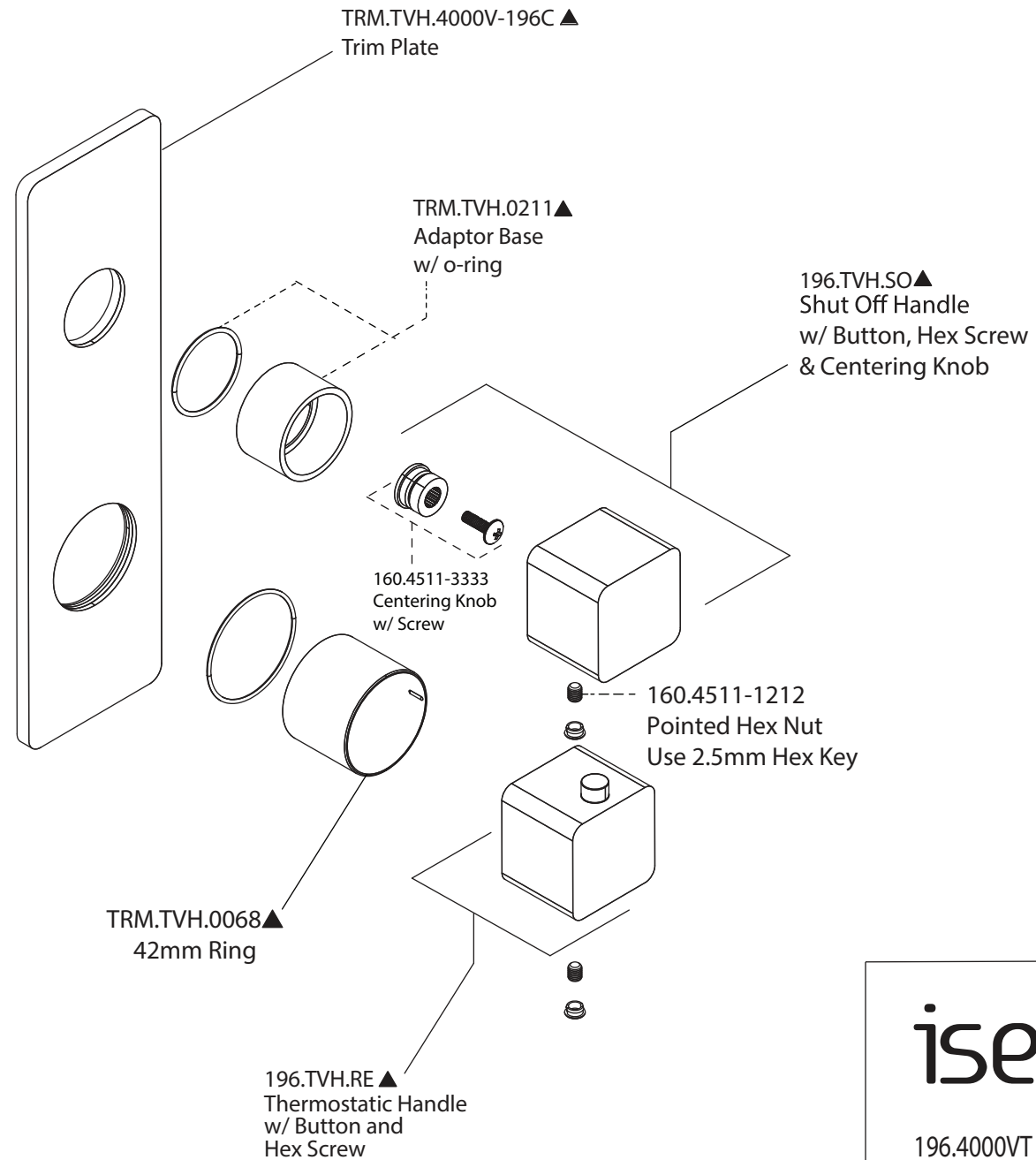


**isenberg**  
innovation+design

HSB.12C

Ver 2.53

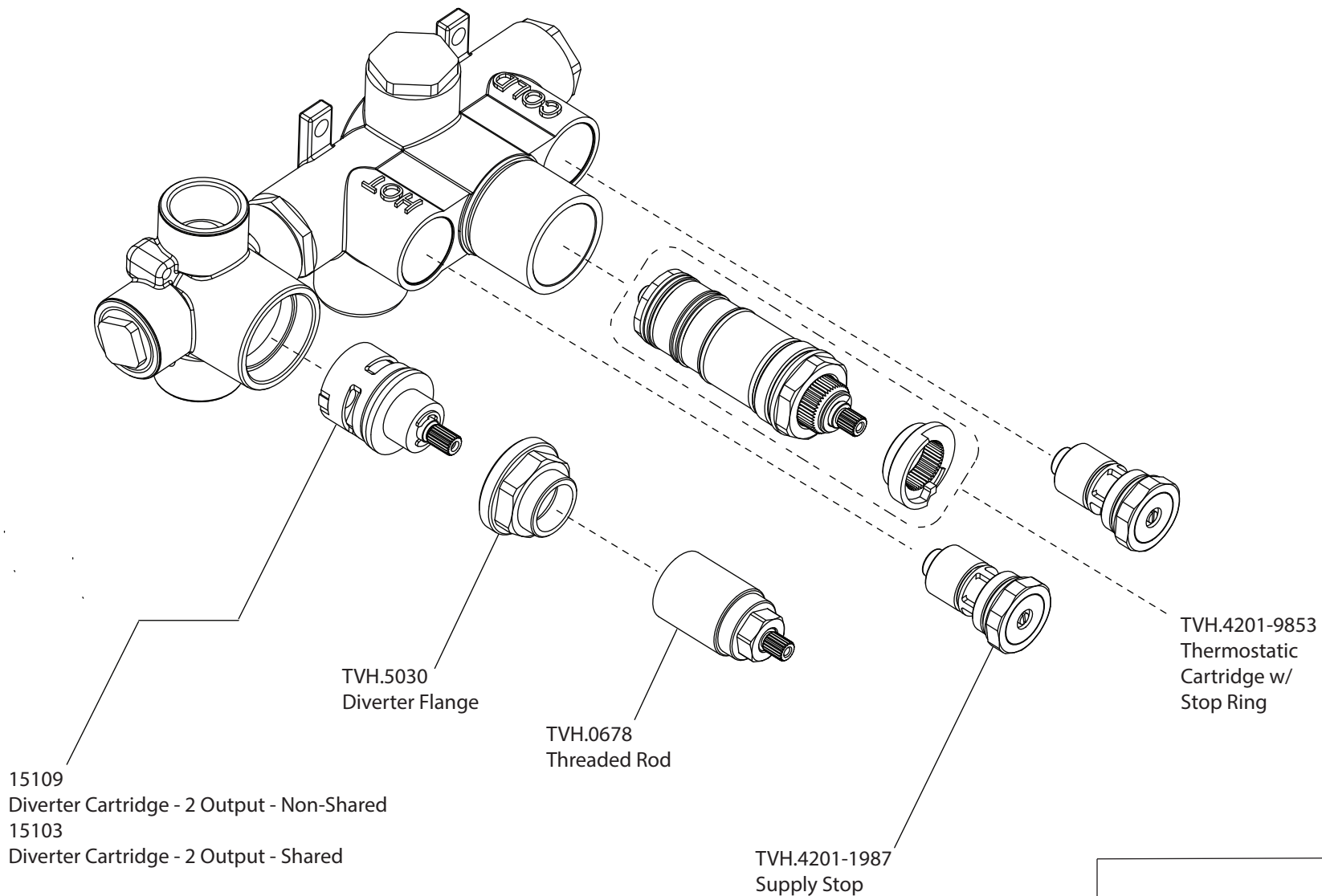
# Product Parts Breakdown



**isenberg**  
innovation+design

196.4000VT

# Product Parts Breakdown



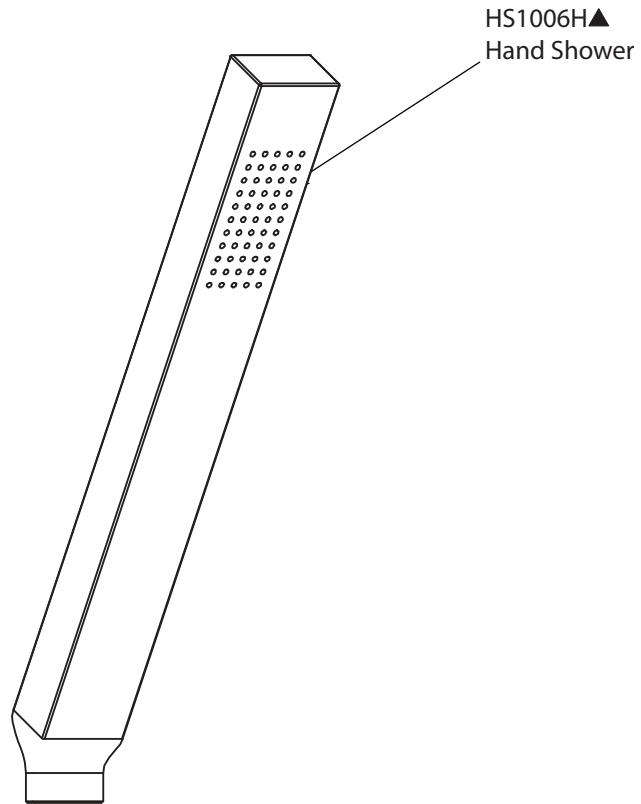
**isenberg**  
innovation+design

TVH.2717F

Ver 2.53

# Product Parts Breakdown

▲ Specify Finish

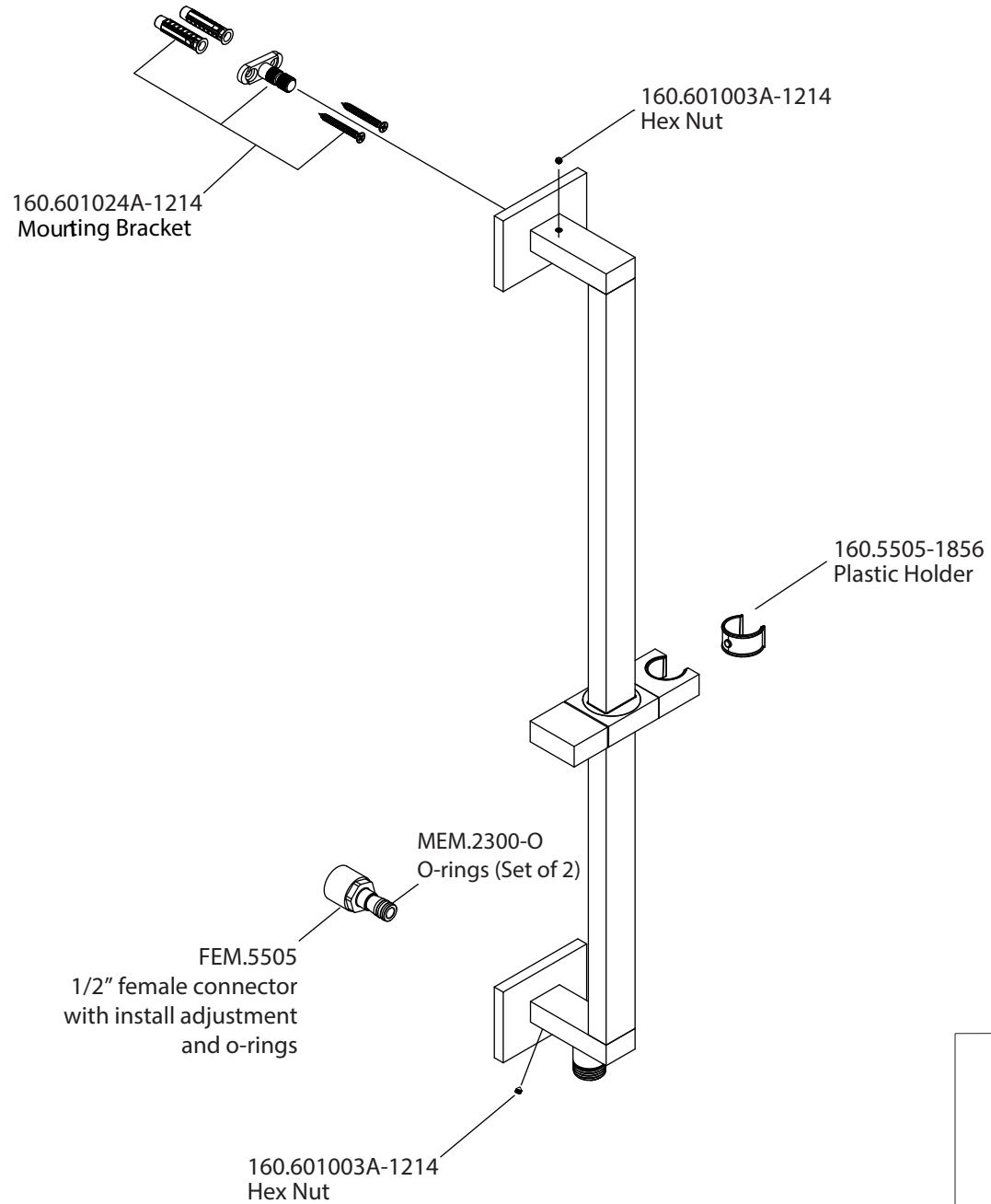


**isenberg**  
innovation+design

HS1006H

Ver 2.55

# Product Parts Breakdown



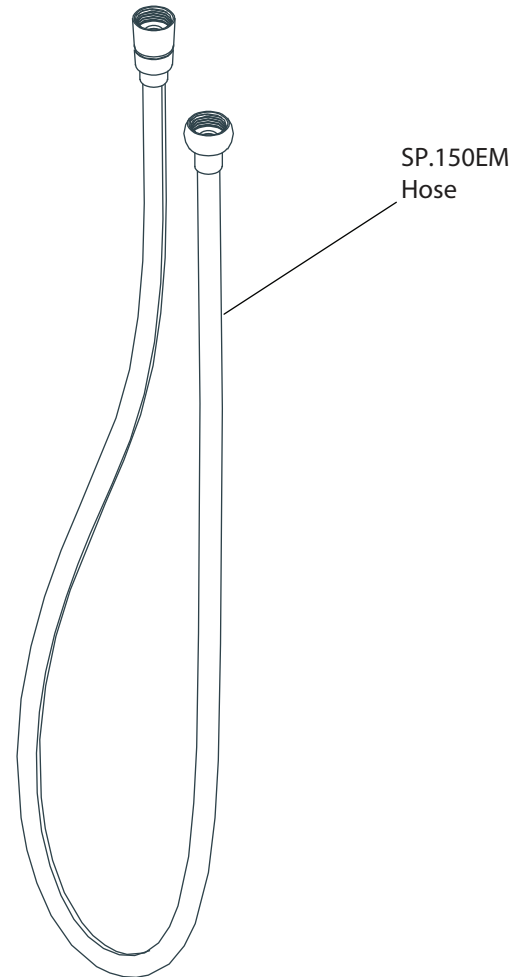
**isenberg**  
innovation+design

160.601024A

Ver 2.55

# Product Parts Breakdown

▲ Specify Finish



**isenberg**  
innovation+design

SP.150EM

Ver 2.55