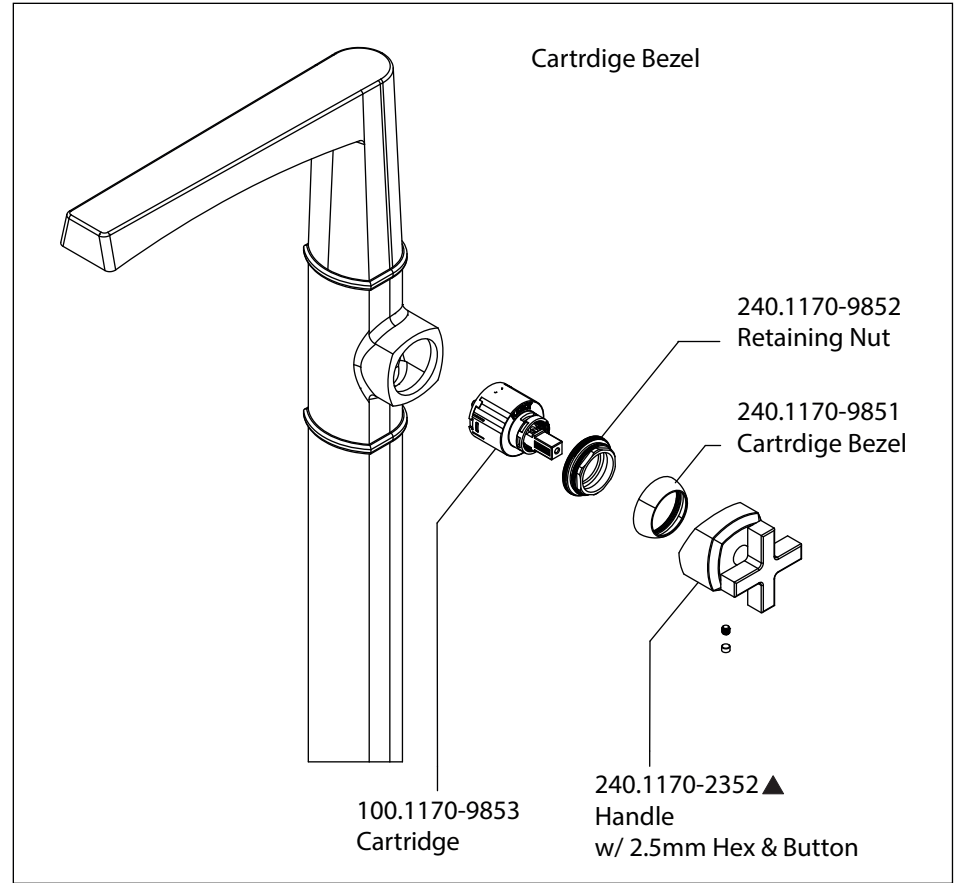
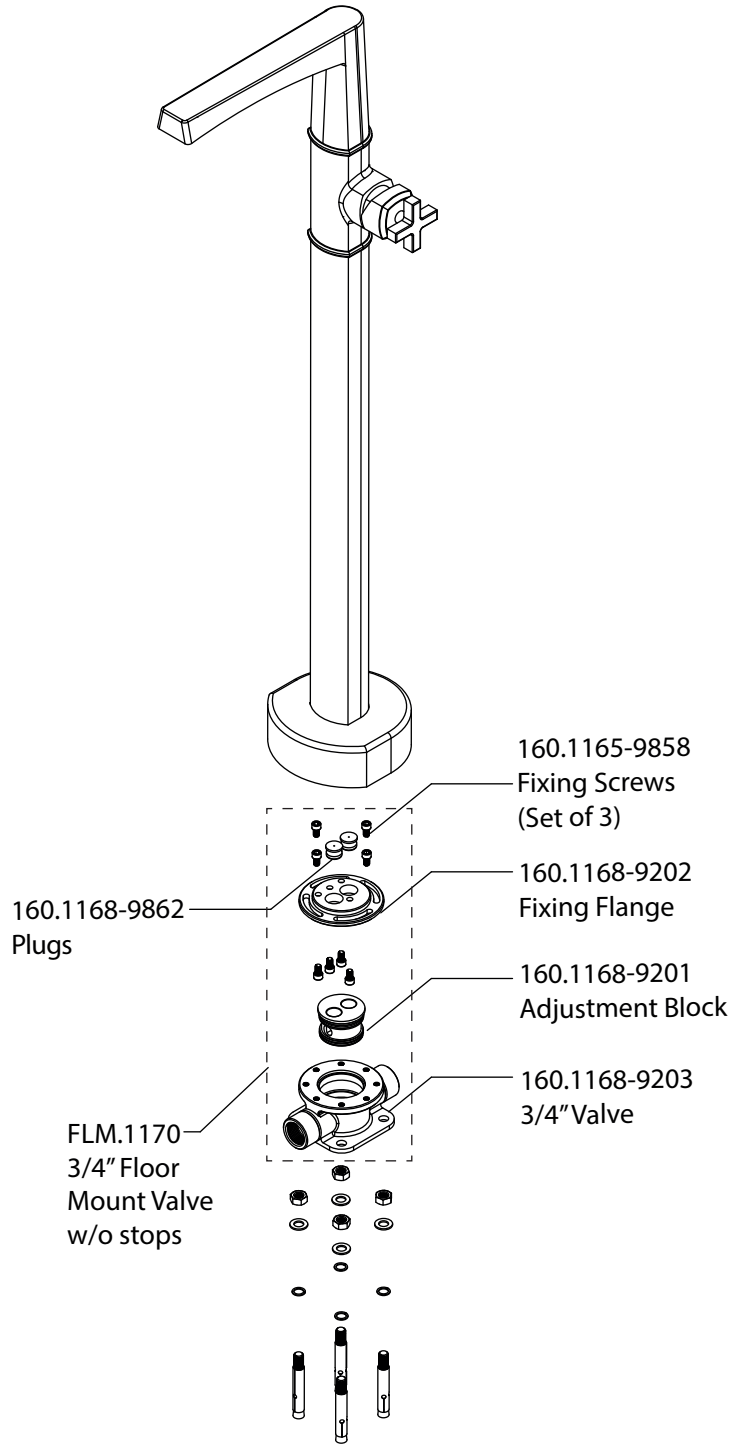


Product Parts Breakdown



isenberg
innovation+design

240.1170

Ver 2.57