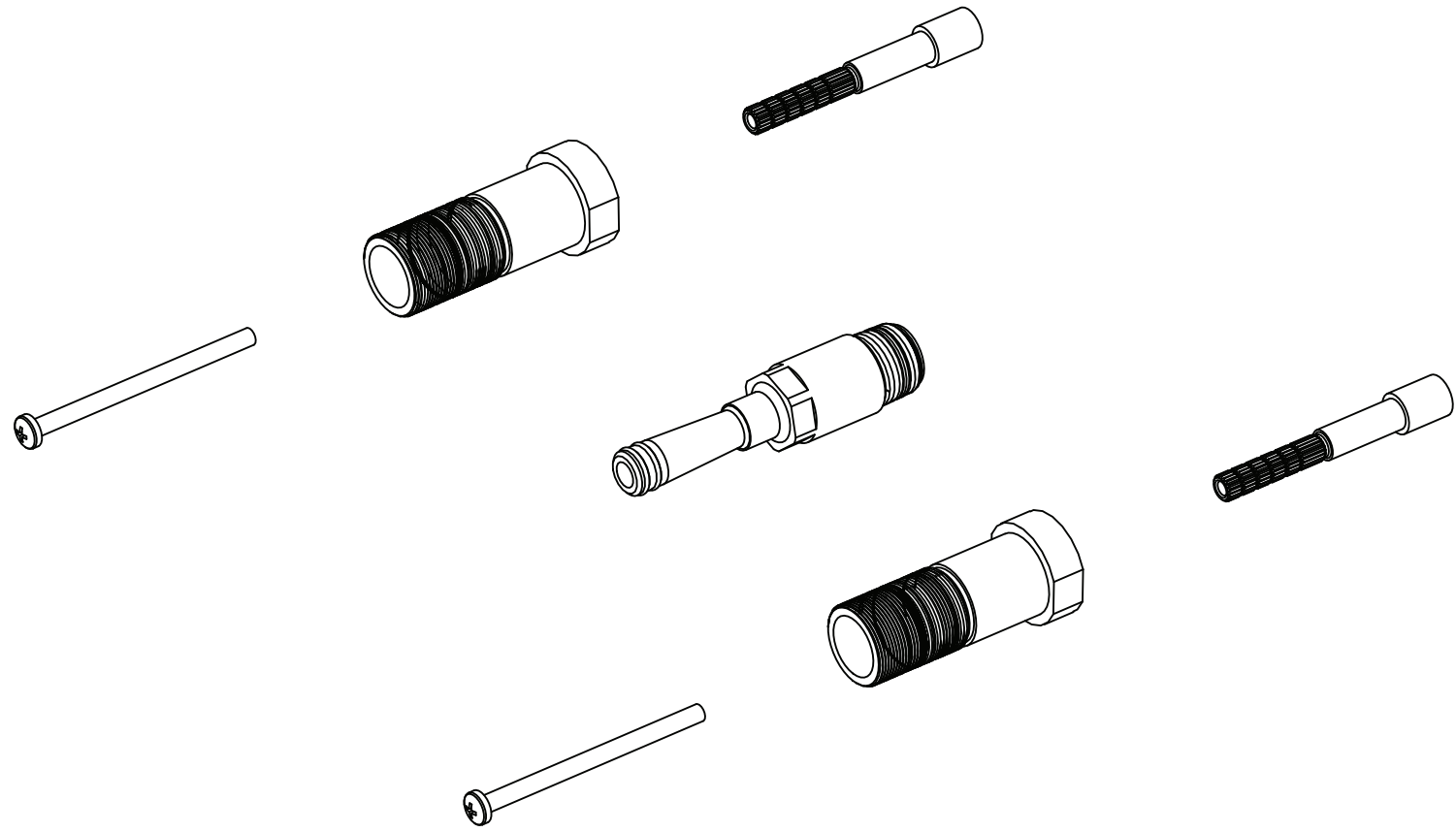


Product Parts Breakdown

▲ Specify Finish



isenberg
innovation+design

240.1950E

Ver 2.53