

Installation Manual For 240.601005A

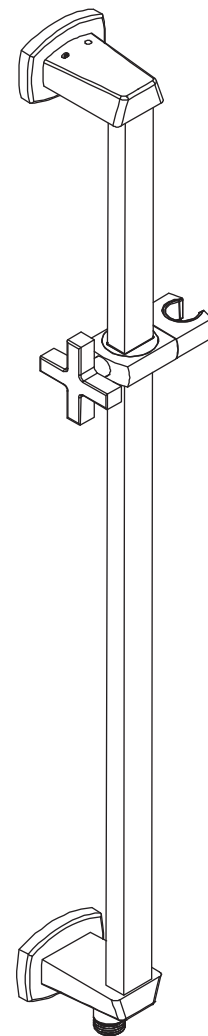
Slide Bar With Integrated Wall Elbow

NOTICE TO HOMEOWNER

- We recommend that this product is installed by a qualified professional plumber.
- Please check this product immediately to ensure that it has not been damaged and is complete. Before installation, please make sure this product is the correct model and you have all the parts required for installation and use.
- Please flush the water system to ensure that no metal swarf, solder, and other impurities can enter the product.
- Turn off water supply before commencing work.
- Please read these instructions carefully and retain for future reference.

BEFORE YOU BEGIN

- You must observe all local plumbing laws and codes.
- Do not install this valve if it does not meet local plumbing codes.
- Shut off the main water supply.



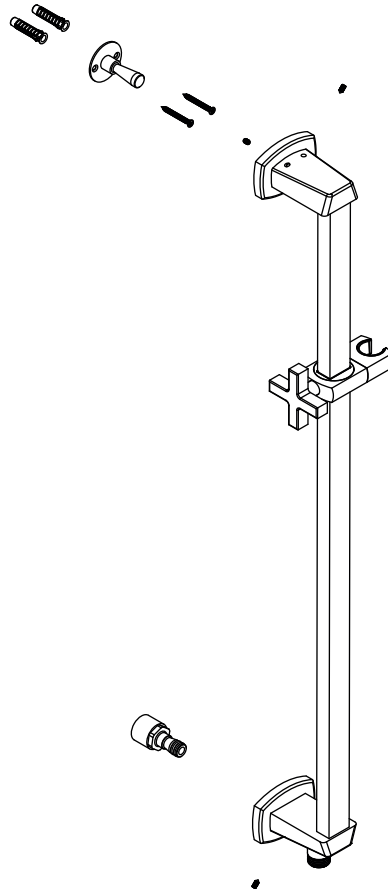
Installation Manual For 240.601005A

Slide Bar With Integrated Wall Elbow

TABLE OF CONTENTS

• In The Box	1
• Operating Specifications	1
• Technical Drawing	2
• Installation Procedure	3

IN THE BOX



OPERATING SPECIFICATIONS

WATER TEMPERATURE



This product is to be used with water at a temperature range of 40°F - 120°F ONLY!

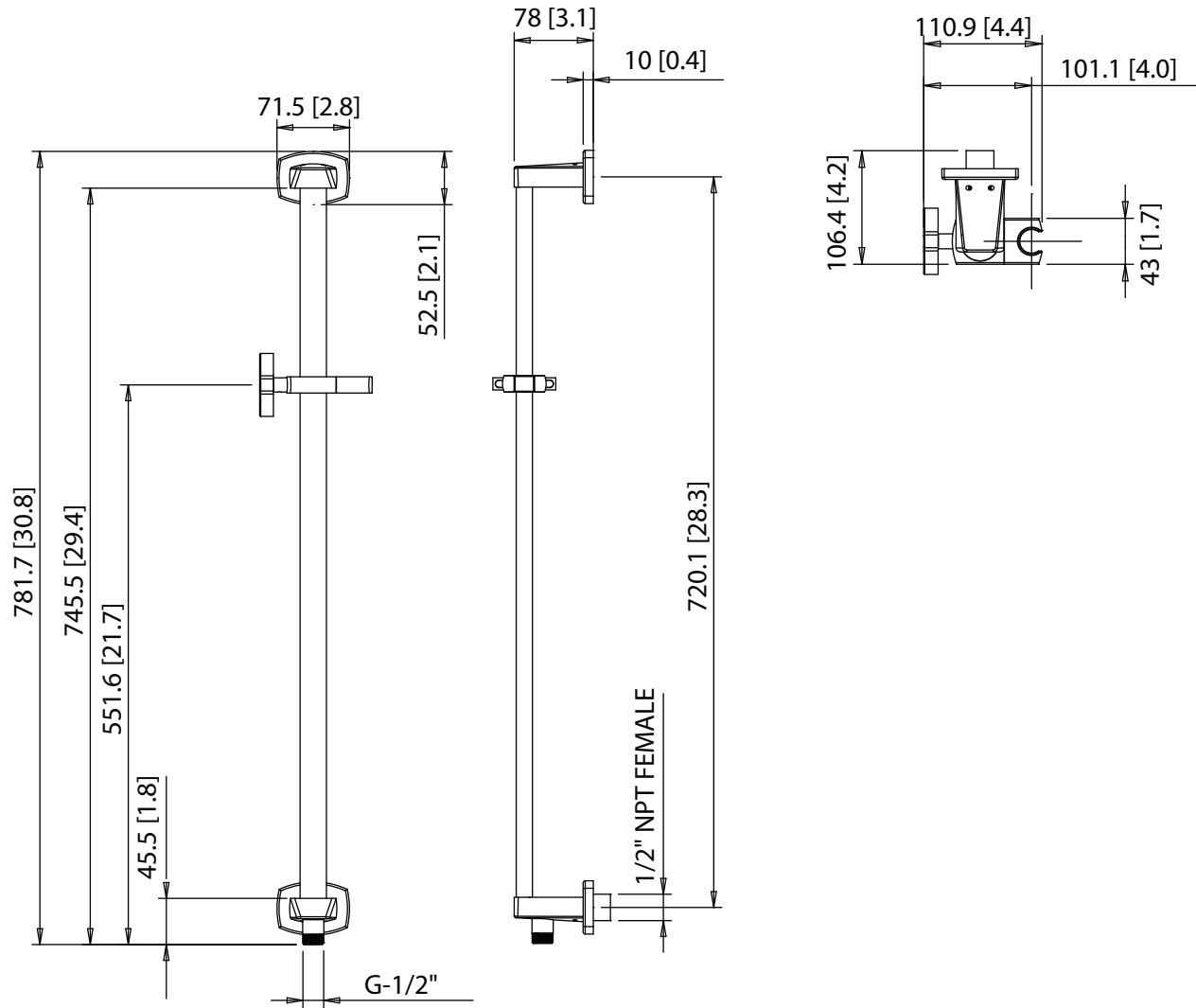
WATER PRESSURE



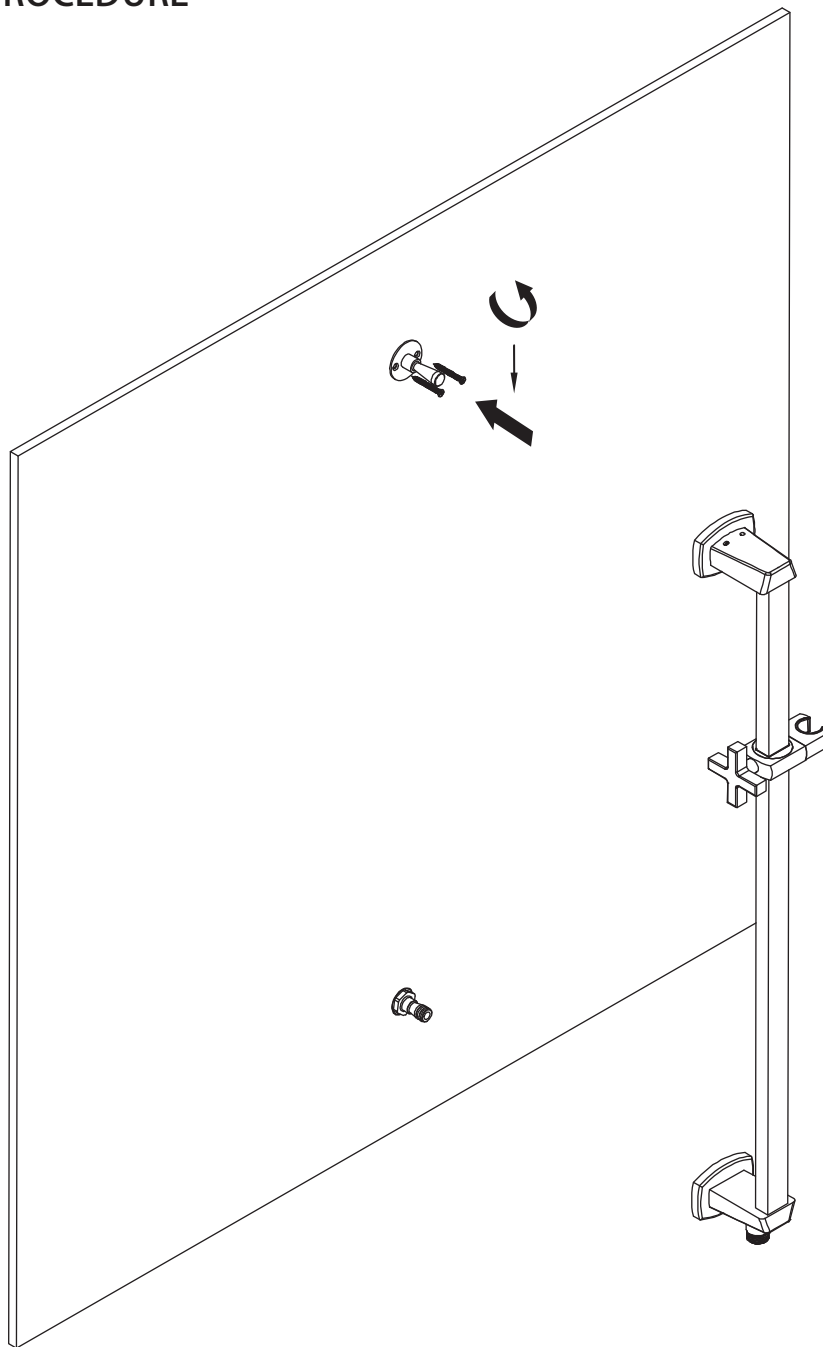
This product is to be used with a water pressure range of 15 PSI to 72 PSI ONLY

If water pressure is greater than 72 PSI install a pressure reducing valve (PRV)

TECHNICAL DRAWING

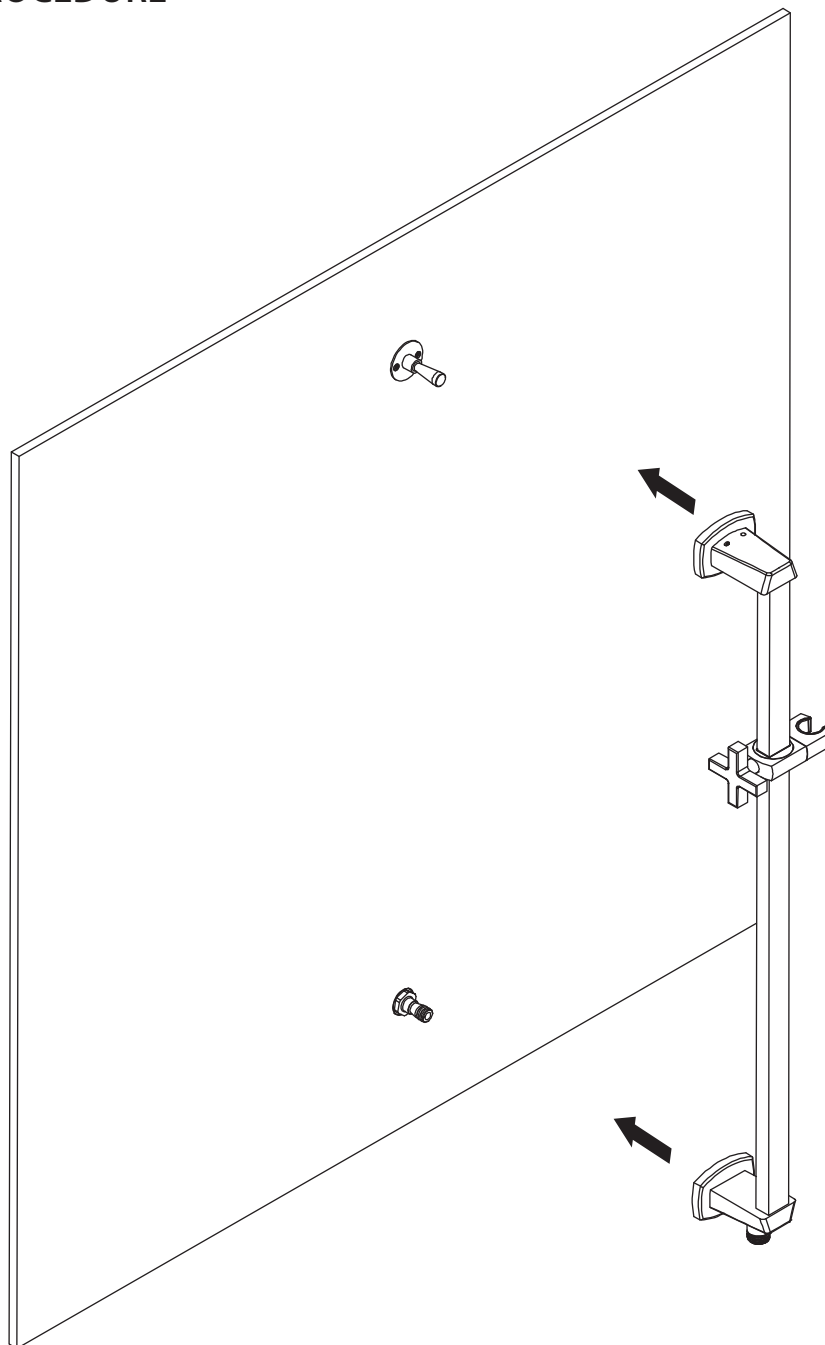


INSTALLATION PROCEDURE



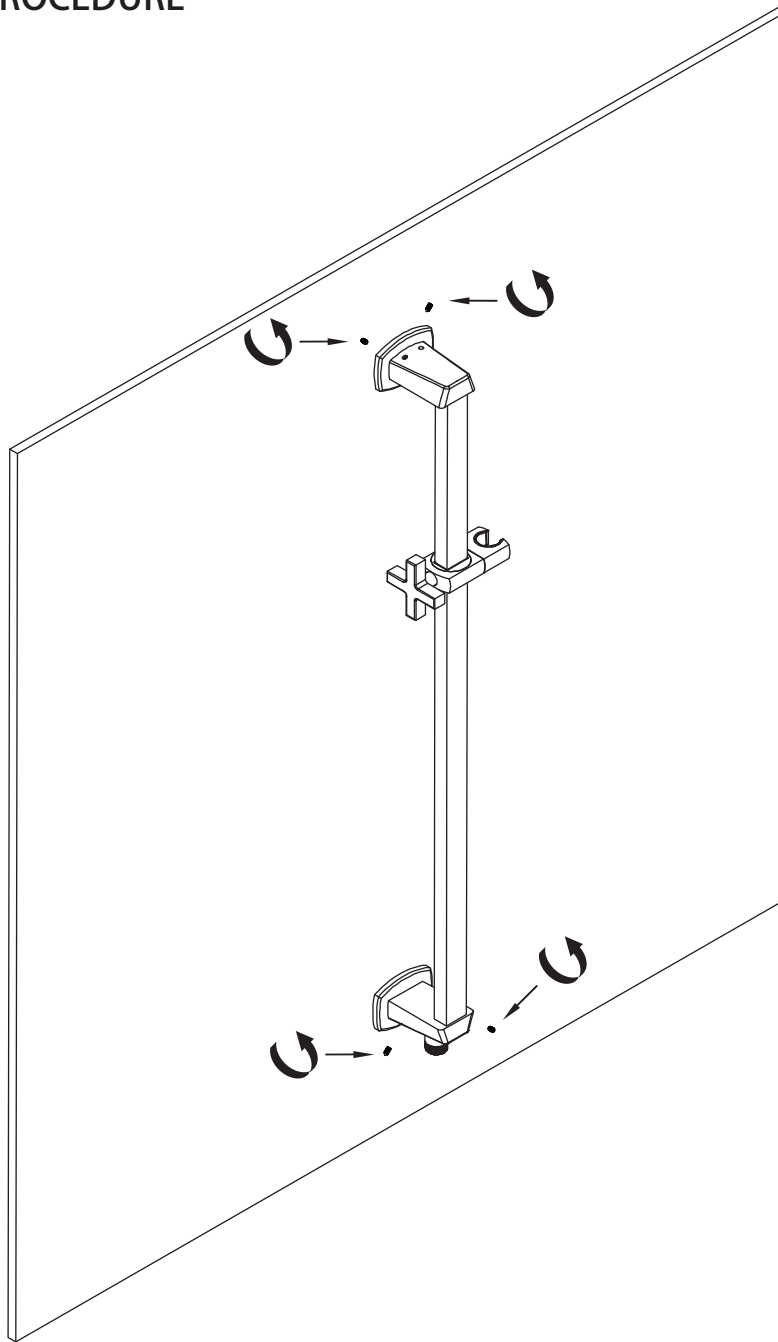
Bring out supplied 1/2" connection and install top slide on connector with supplied screws

INSTALLATION PROCEDURE



Move slide bar towards wall

INSTALLATION PROCEDURE



Tighten hex screws to secure slide bar to wall