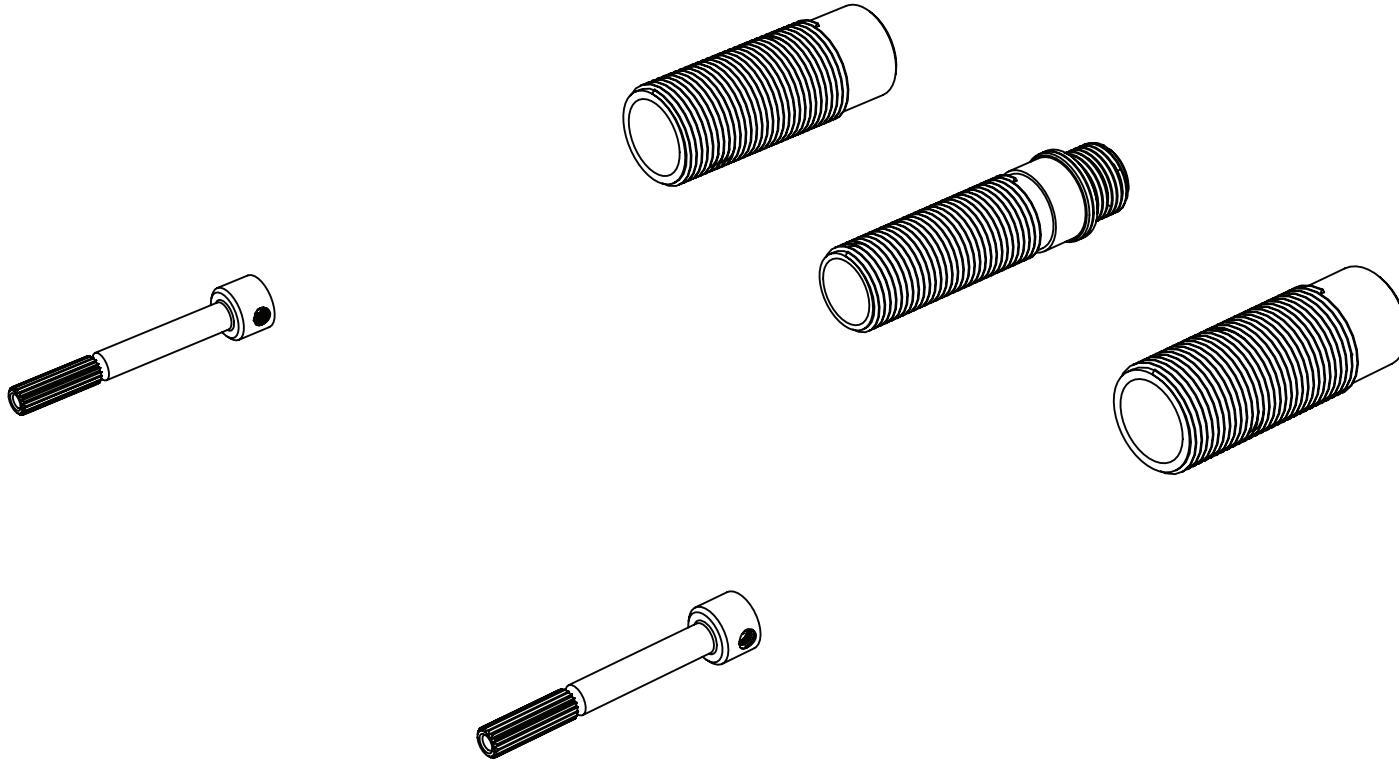


# Product Parts Breakdown

▲ Specify Finish



**isenberg**  
innovation+design

250.1950E

Ver 2.53