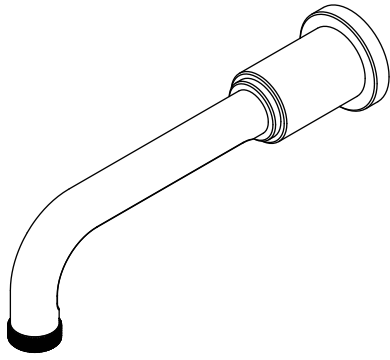


Installation Manual For 250.2300 - Non Diverting Tub Spout



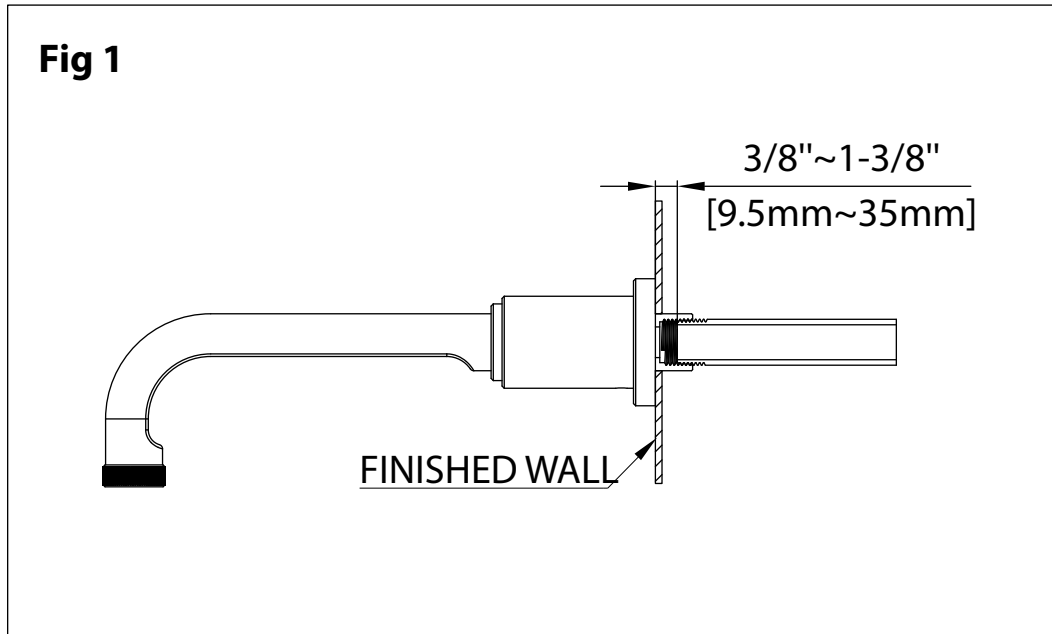
NOTICE TO HOMEOWNER

- We recommend that this product is installed by a qualified professional plumber.
- Please check this product immediately to ensure that it has not been damaged and is complete. Before installation, please make sure this product is the correct model and you have all the parts required for installation and use.
- Please flush the water system to ensure that no metal swarf, solder, and other impurities can enter the product.
- Turn off water supply before commencing work.
- Please read these instructions carefully and retain for future reference.

BEFORE YOU BEGIN

- You must observe all local plumbing laws and codes.
- Do not install this product if it does not meet plumbing codes.
- Shut off the main water supply.

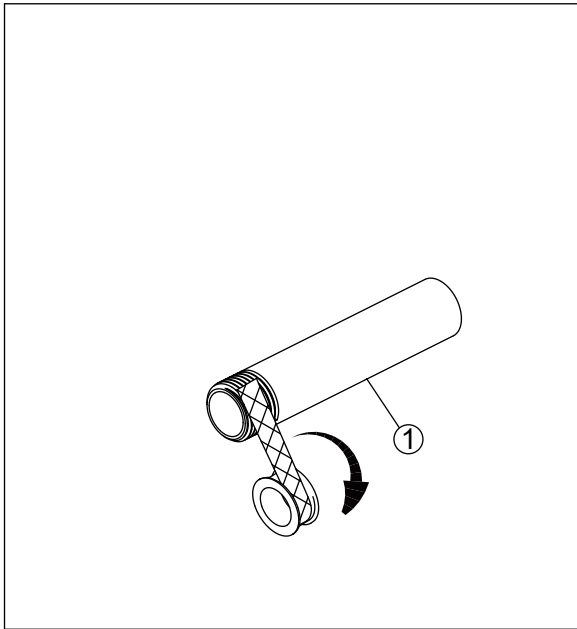
ROUGH IN SPECIFICATION



PREPARING FOR INSTALLATION

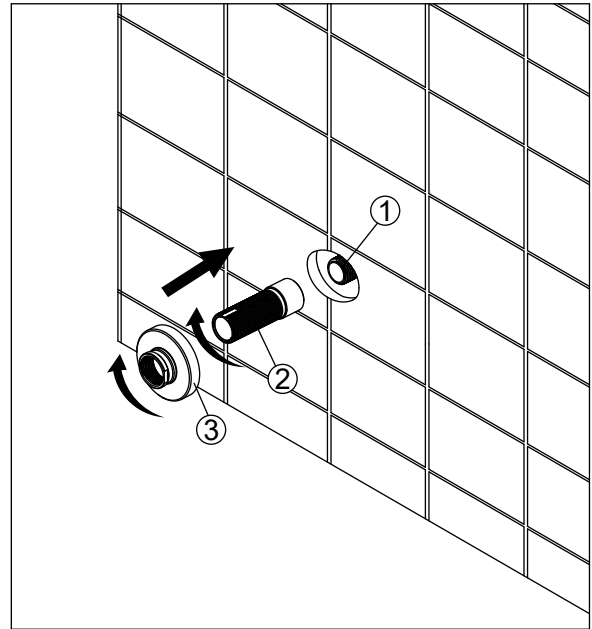
The recommended pipe depth to the finished wall is 3/8" - 1-3/8" (9.5 mm - 35 mm), as shown in the Fig.1.

INSTALLING THE TUB SPOUT



Step 1

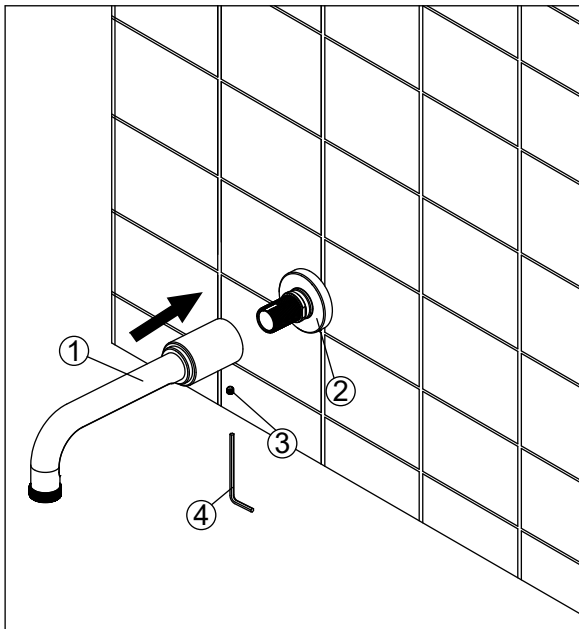
Before installation, wrap thread sealant tape (not included) around the top of the pipe (not included, 1) in a clockwise direction, as shown.



Step 2

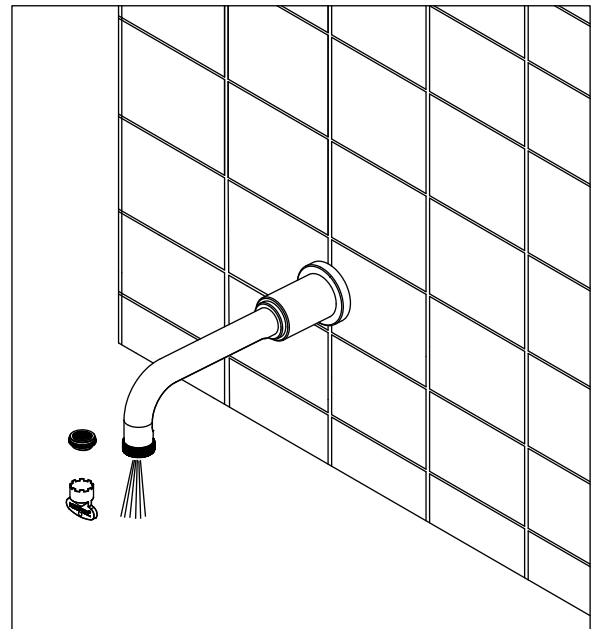
Tighten the connector (2) over the inlet shank of the pipe (1). Then tighten the flange (3) over the connector (2).

INSTALLING THE TUB SPOUT



Step 3

Install the spout assembly (1) onto the connector (2). Be sure the spout assembly (1) is resting firmly on the board. Push down on spout assembly (1) and tighten set screw (3) with the Hex wrench (Hex: 2.5mm, 4).



Step 4

After installation is complete, remove aerator. Turn on water supply and allow both hot and cold water to run for at least one minute each. While water is running, check for leaks. Replace aerator. This flushes away any debris that could cause damage to internal parts.