

260.2410 | 3-Hole Deck Mounted Roman Tub Filler

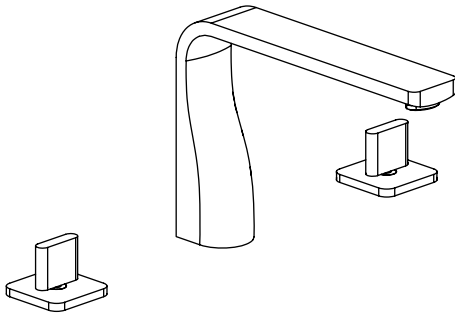


SPECIFICATIONS:

- Solid Brass construction - includes valve
- Three Hole Installation
- Flow Rate = 8.5 GPM @ 60 PSI
- 8.03" Tub Spout Reach

STANDARDS:

- ASME A112.18.1 / CSA B125.1



Legislation Compliance



ZeroDrip Technology



Technical Diagram

Exploded View

