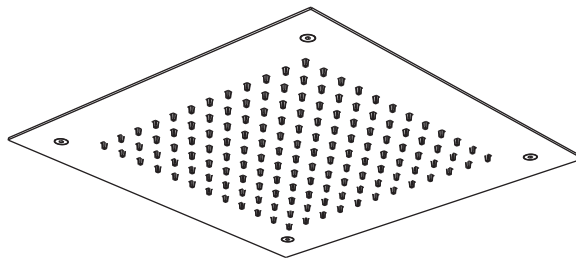


# Installation Manual

## BLT.15S - 15" Flush Mount Rain Head BLT.20S - 20" Flush Mount Rain Head



### NOTICE TO HOMEOWNER

- We recommend that this product is installed by a qualified professional plumber.
- Please check this product immediately to ensure that it has not been damaged and is complete. Before installation, please make sure this product is the correct model and you have all the parts required for installation and use.
- Please flush the water system to ensure that no metal swarf, solder, and other impurities can enter the product.
- Turn off water supply before commencing work.
- Please read these instructions carefully and retain for future reference.

### BEFORE YOU BEGIN

- You must observe all local plumbing laws and codes.
- Do not install this valve if it does not meet local plumbing codes.
- Shut off the main water supply.

## OPERATING SPECIFICATIONS

### WATER TEMPERATURE



This product is to be used with water at a temperature range of 40°F - 120°F ONLY!

### WATER PRESSURE

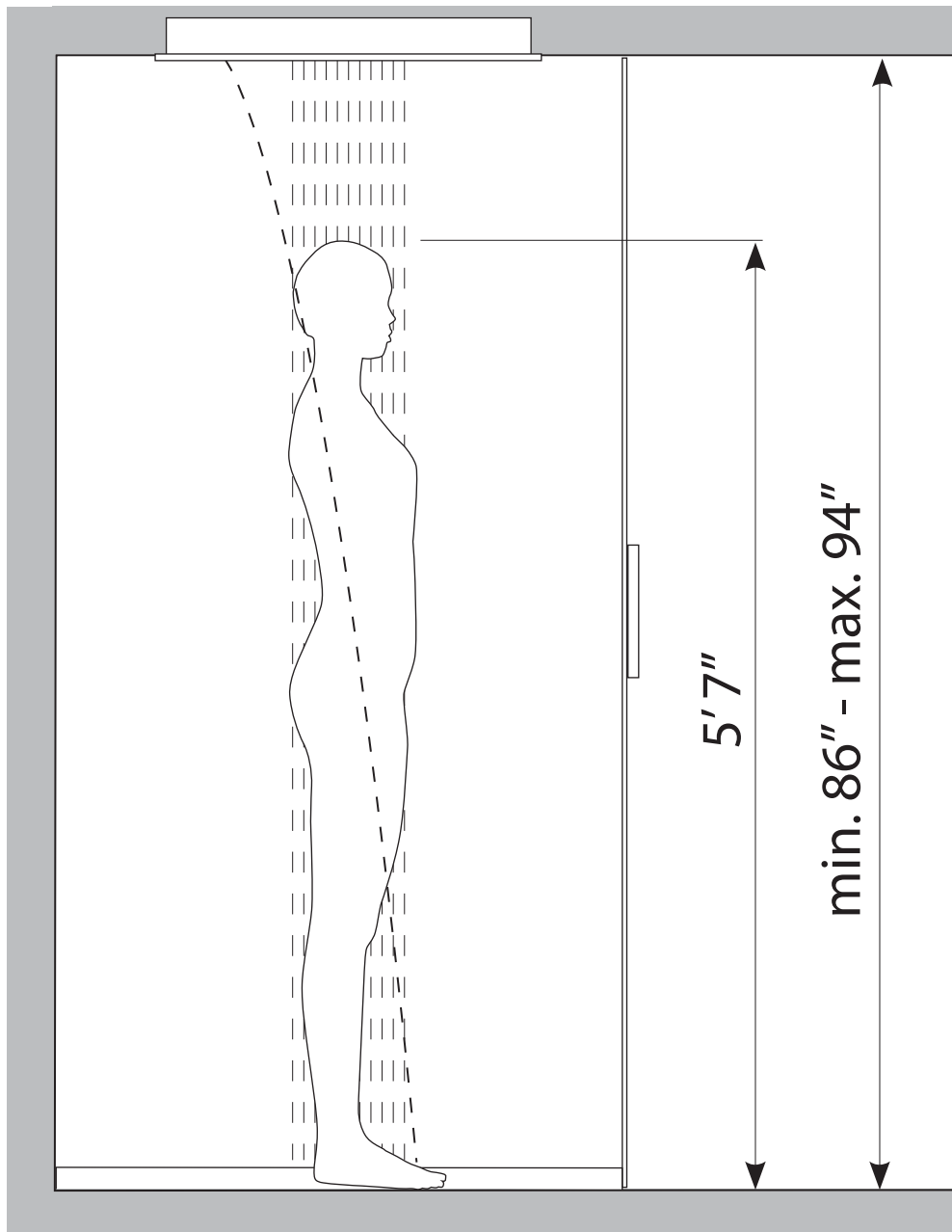


This product is to be used with a water pressure range of 15 PSI to 72 PSI ONLY

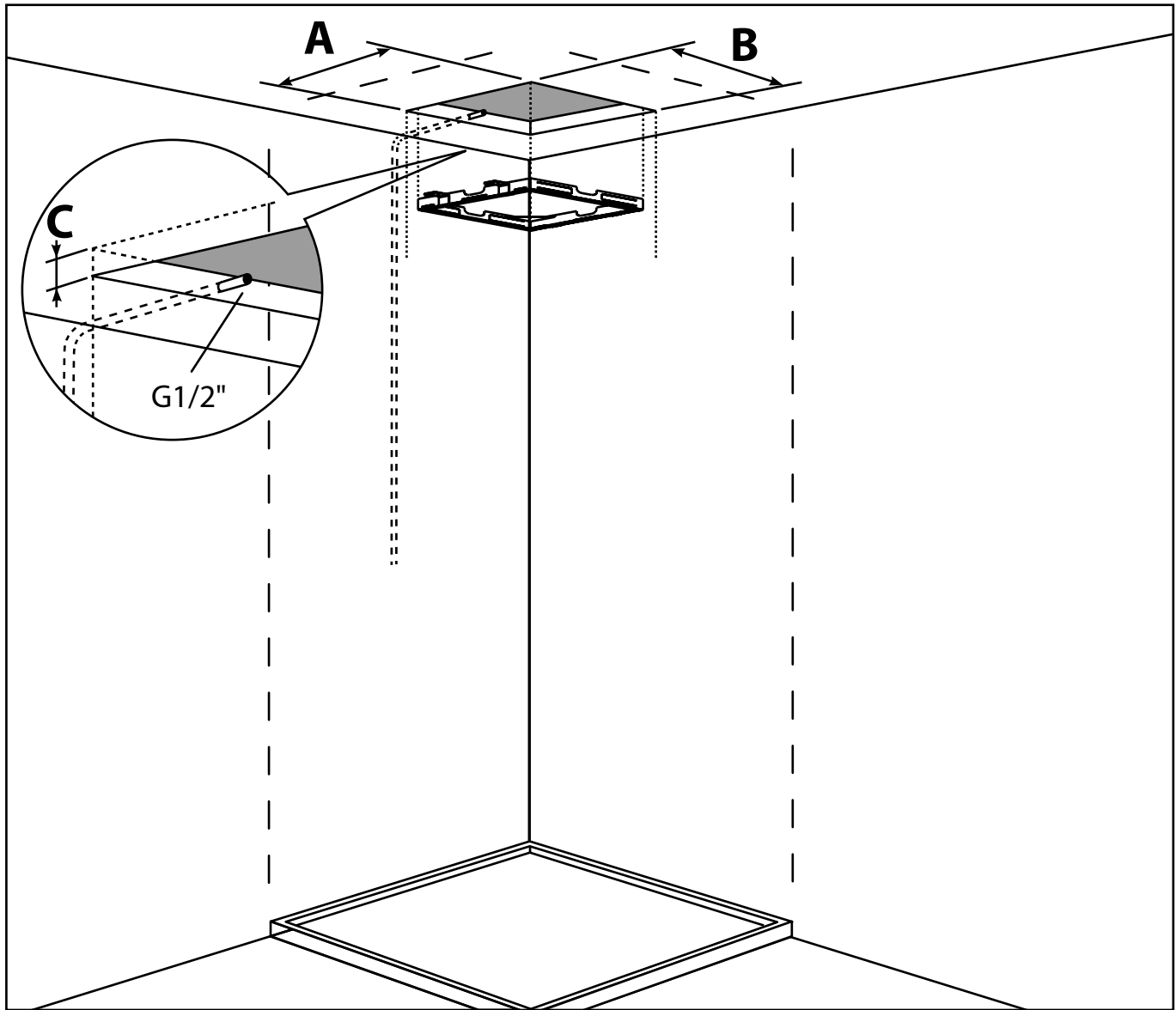
If water pressure is greater than 72 PSI install a pressure reducing valve (PRV)

## RAIN HEAD HEIGHT PLACEMENT

The rain head will operate optimally if the below height install specifications are followed.

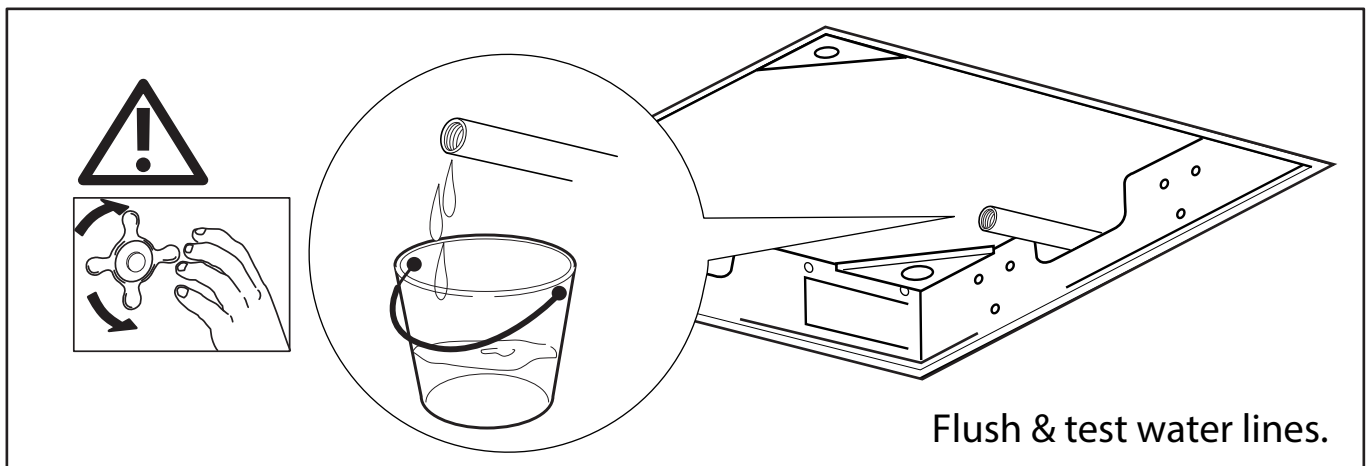
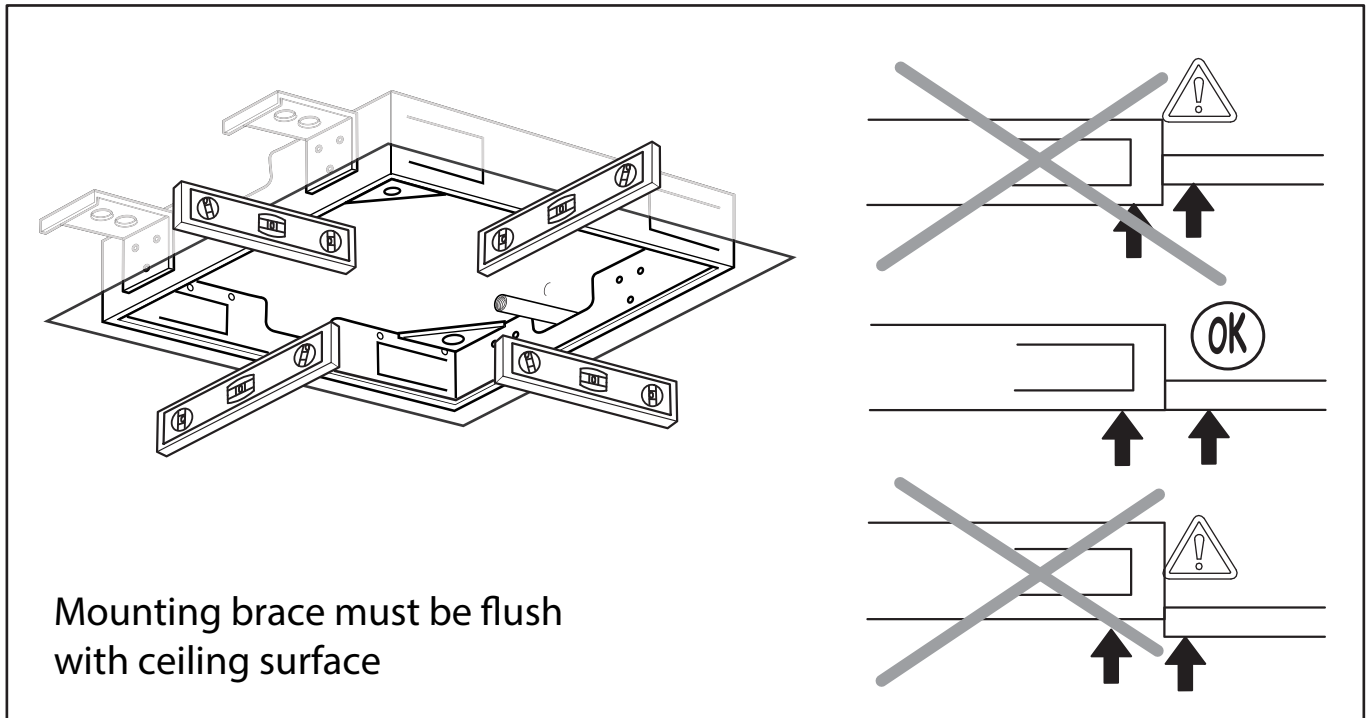


**CUT OUT DIMENSIONS**

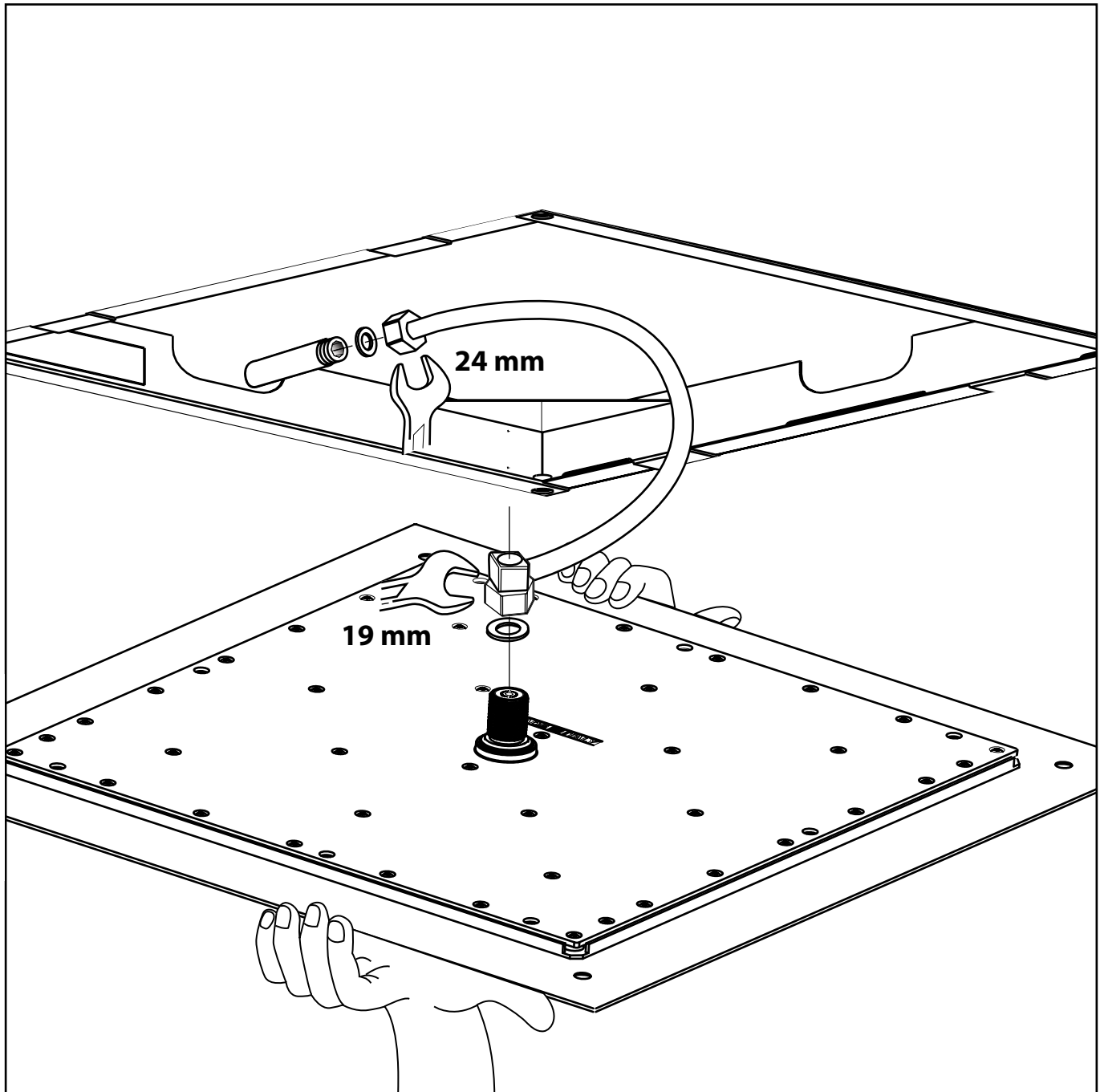


Model #	A	B	C
BLT.15S	330 mm (12.99")	330 mm (12.99")	min. 75 mm (2.95")
BLT.20S	450mm (17.71")	450mm (17.71")	min. 75 mm (2.95")

## INSTALLATION INSTRUCTIONS



## INSTALLATION INSTRUCTIONS



Install water supply hose and tighten. Check For leaks. Then align shower head trim flush to the ceiling and ensure the 4 holes on the edge of the trim align with the mouting box.

## INSTALLATION INSTRUCTIONS

