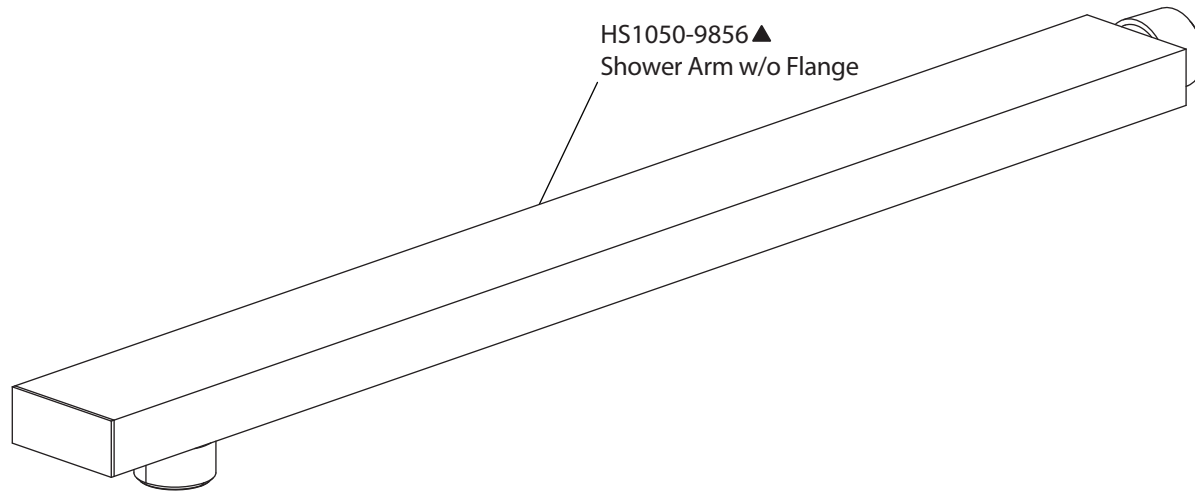
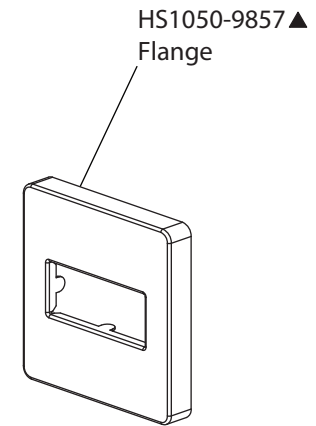


Product Parts Breakdown

▲ Specify Finish



HS1050-9856▲
Shower Arm w/o Flange



HS1050-9857▲
Flange

isenberg
innovation+design

HS1050

Ver 2.54