

## Installation Manual For IF.2300

### WALL MOUNT FAUCET SPOUT

#### BEFORE YOU BEGIN

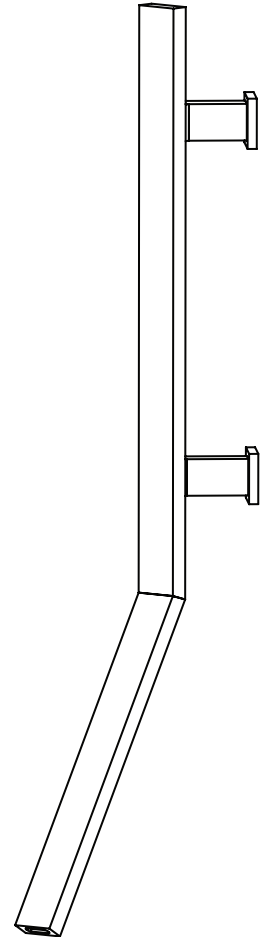
- You must observe all local plumbing laws and codes.
- Do not instal valve if it does not meet local plumbing codes.
- Shut off the main water supply.

#### NOTICE TO HOMEOWNER

- We recommend that this product is installed by a qualified professional plumber.
- Please check this product immediately to ensure that it has not been damaged and is complete. Before installation, please make sure this product is the correct model and you have all the parts required for installation and use.

#### CAUTION

Please flush the water system to ensure that no metal swarf, solder, and other imputities can enter the product before installation has begun.



## IMPORTANT

There are two ways to install the wall mount faucet, as shown in the Fig 1. If you want to be install on the left side of the mirror, go ahead and skip to step 1. If you want to install on the right side of the mirror, use hex wrench (Hex: 1.5mm, 2) provided to loosen screws (1), pull out bracket (A) and bracket (B), then rotate 180°, finally reinstall bracket (A & B) and retighten screws (1), as shown in the Fig 2.

Fig 1

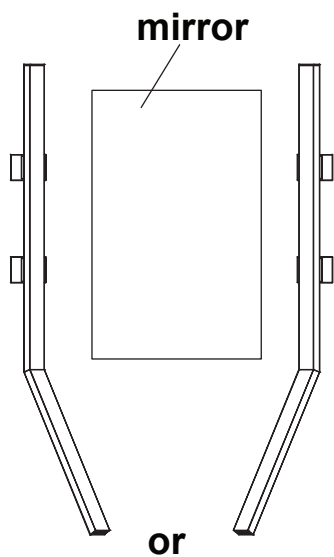
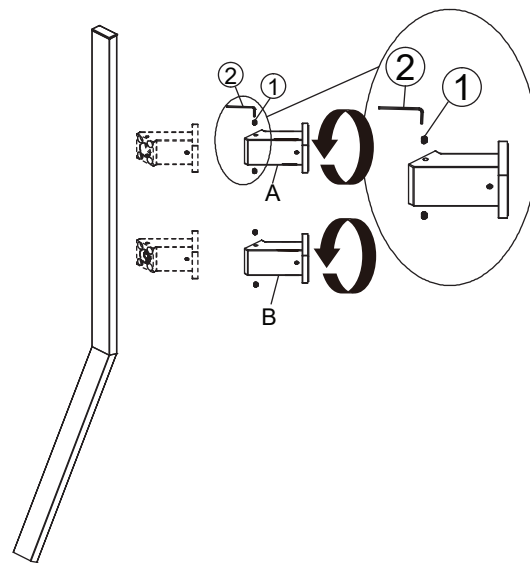
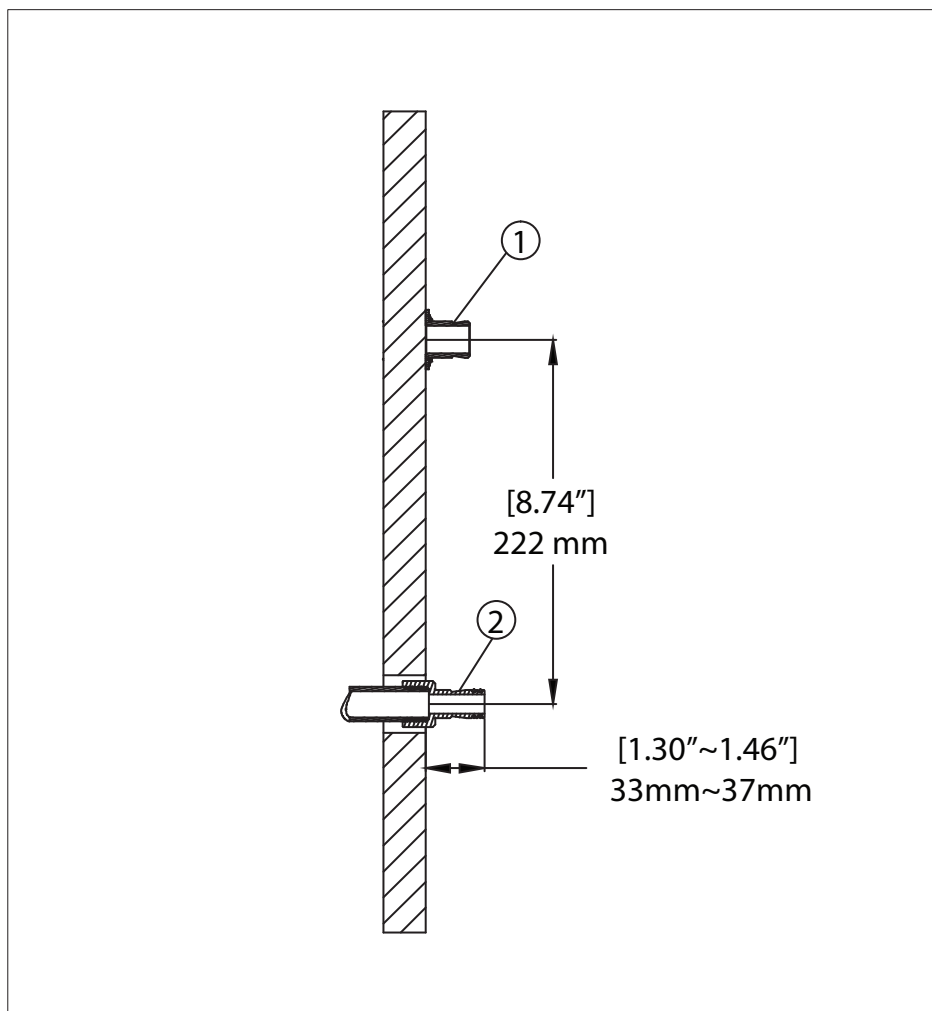


Fig 2

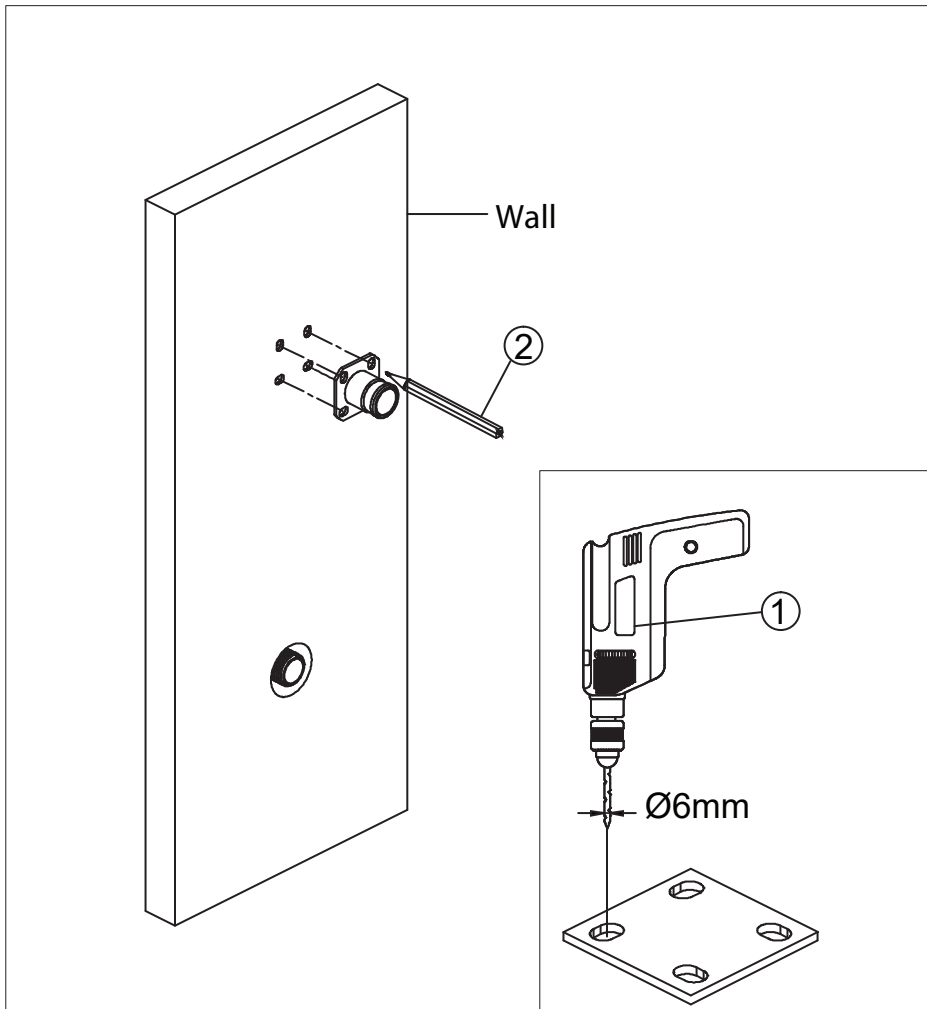




## STEP 1

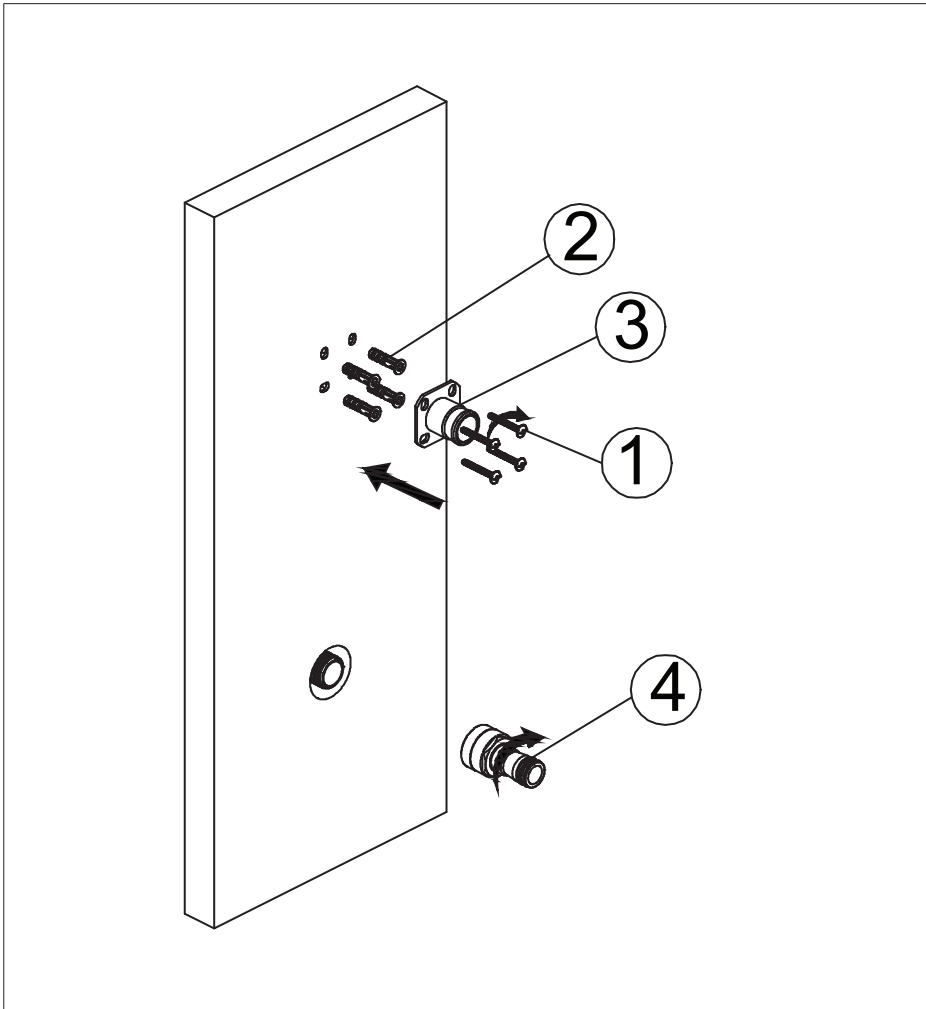
A) Before installation please confirm the position of the spout with respect to the sink so that the water lands into the middle of the sink bowl.

B) Confirm the position of the top mounting seat (1) and female 1/2" NPT adaptor (2)



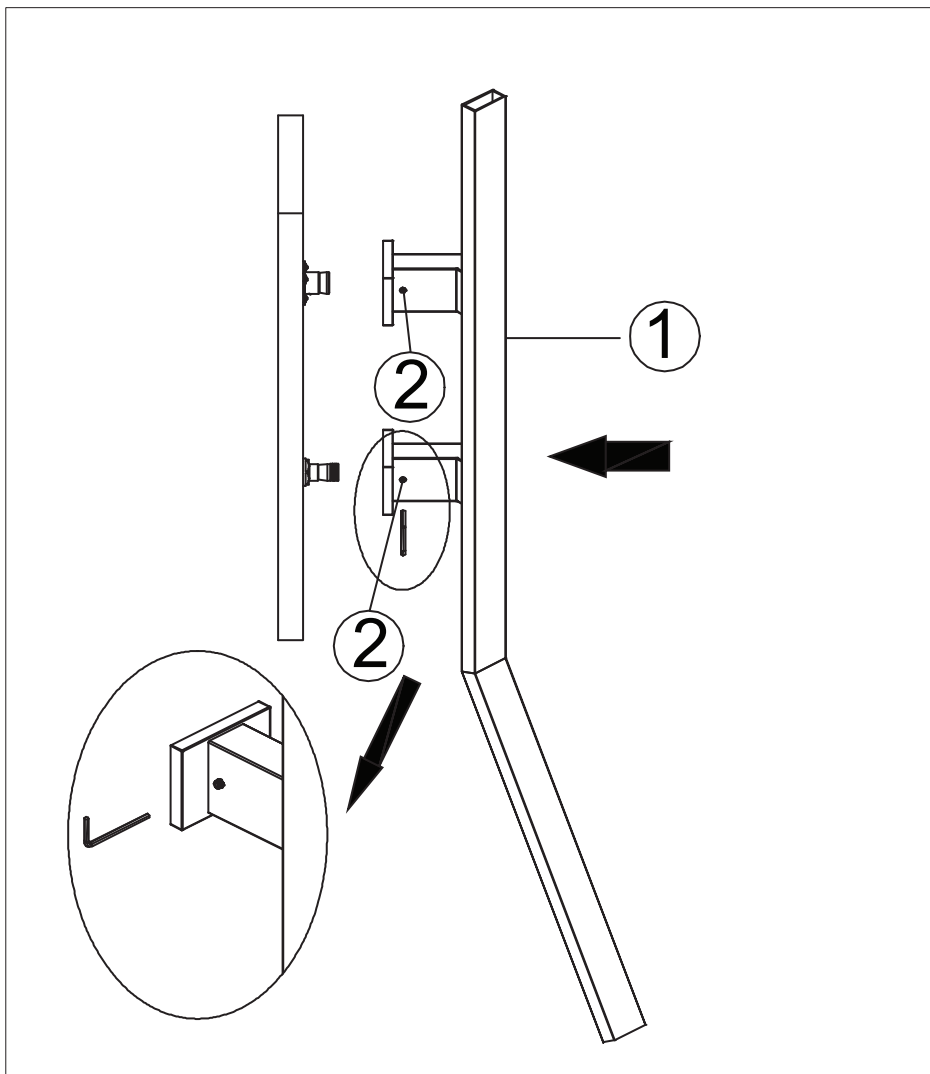
## STEP 2

C) Mark the locations for the screws (1) and then drill the four holes [ 6mm diameter] for the screws (2)



## STEP 3

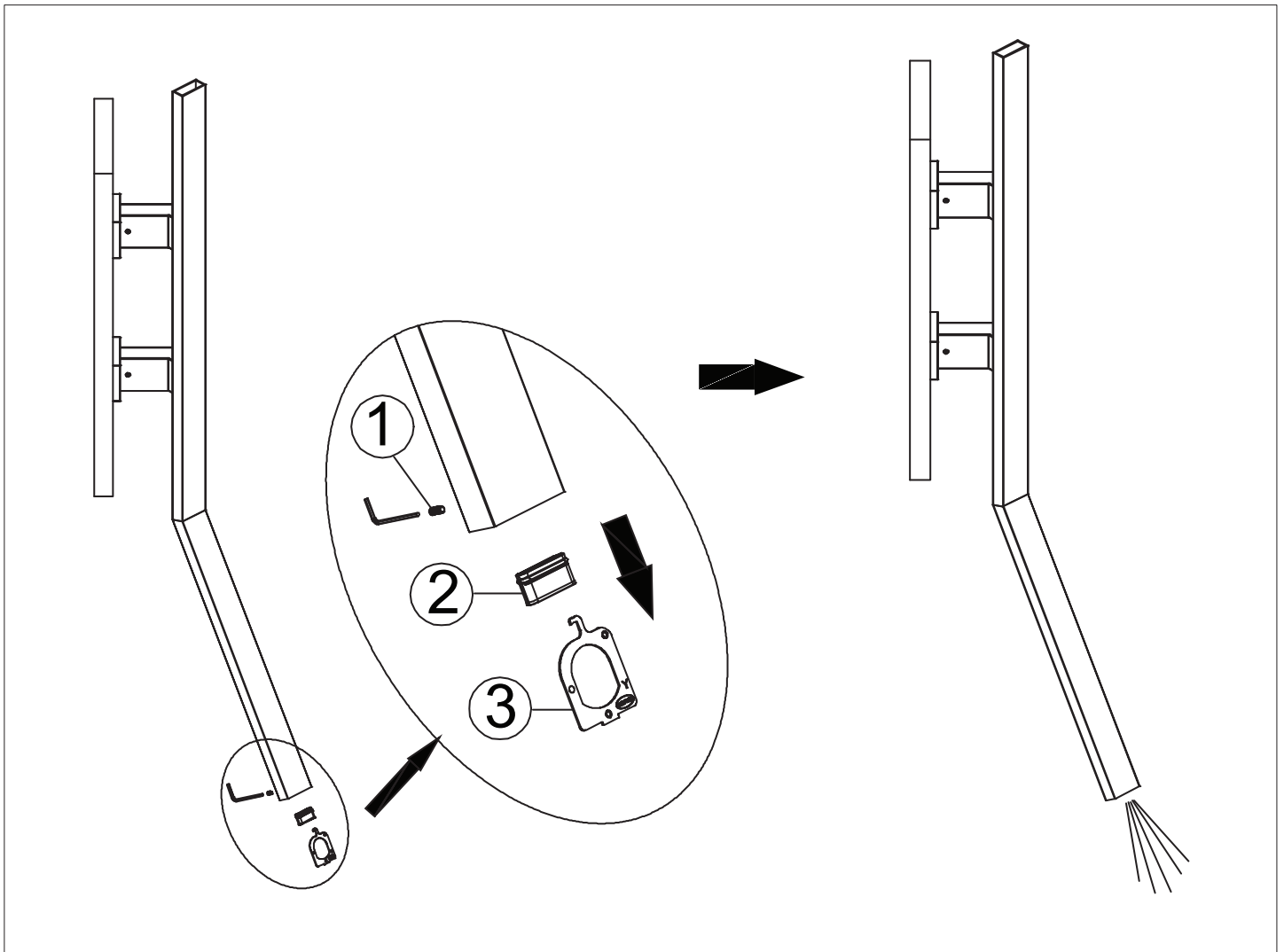
D) Secure the mounting seat (3) using screws (1) and wall plugs (2). Thread the female 1/2" NPT adaptor (4) onto the wall.



## STEP 4

E) Loosen the hex screws (2) from the faucet with an allen wrench. Loosen the same screws on the opposite side on the same way.

F) Install the faucet onto the mounting seat and female 1/2" NPT adaptor by sliding in towards the wall



## STEP 5

G) After installation is complete, loosen the set screw (1) with a 1.5mm allen key and then remove the aerator (2) with aerator wrench (3) provided to flush the water lines once again.