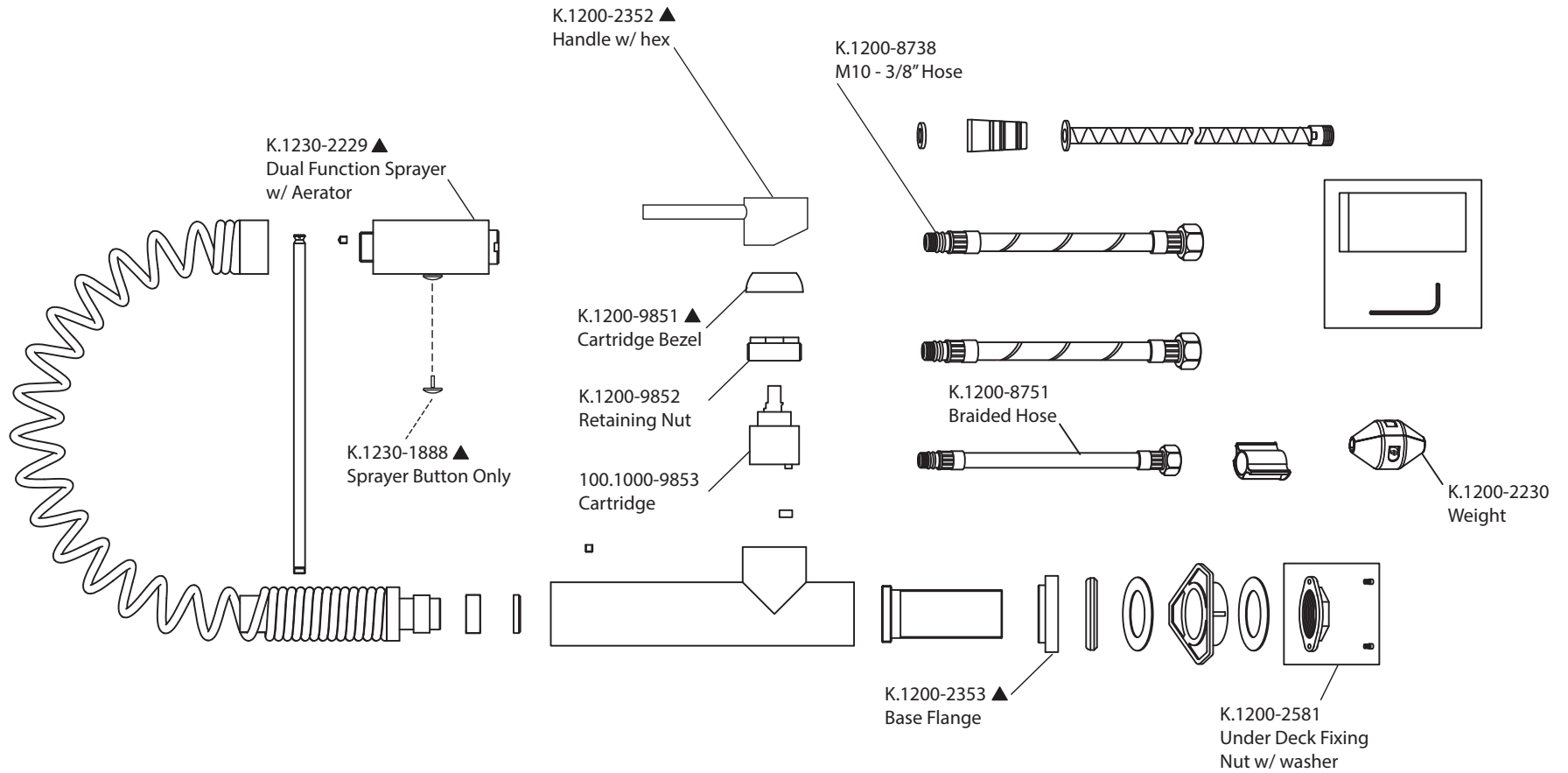


Product Parts Breakdown

▲ Specify Finish



isenberg
innovation+design

K.1230

Ver 2.60