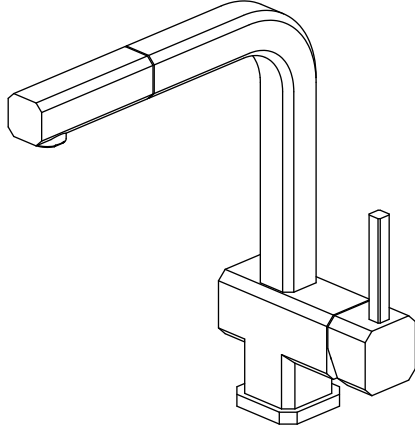


Cito - K.1300 | Dual Function Pull Out Kitchen Faucet



SPECIFICATIONS:

- Stainless steel construction
- Stainless steel **dual function sprayer**
- 1.8 GPM Flow Rate
- Deck hole size = 1 3/8"
- Single lever allows both volume and temperature control
- Touch Activation if paired with TCF.2000 Electronic Sensor Box



STANDARDS:

- ASME A112.18.1 / CSA B125.1

Legislation Compliance



ZeroDrip Technology



Technical Diagram

