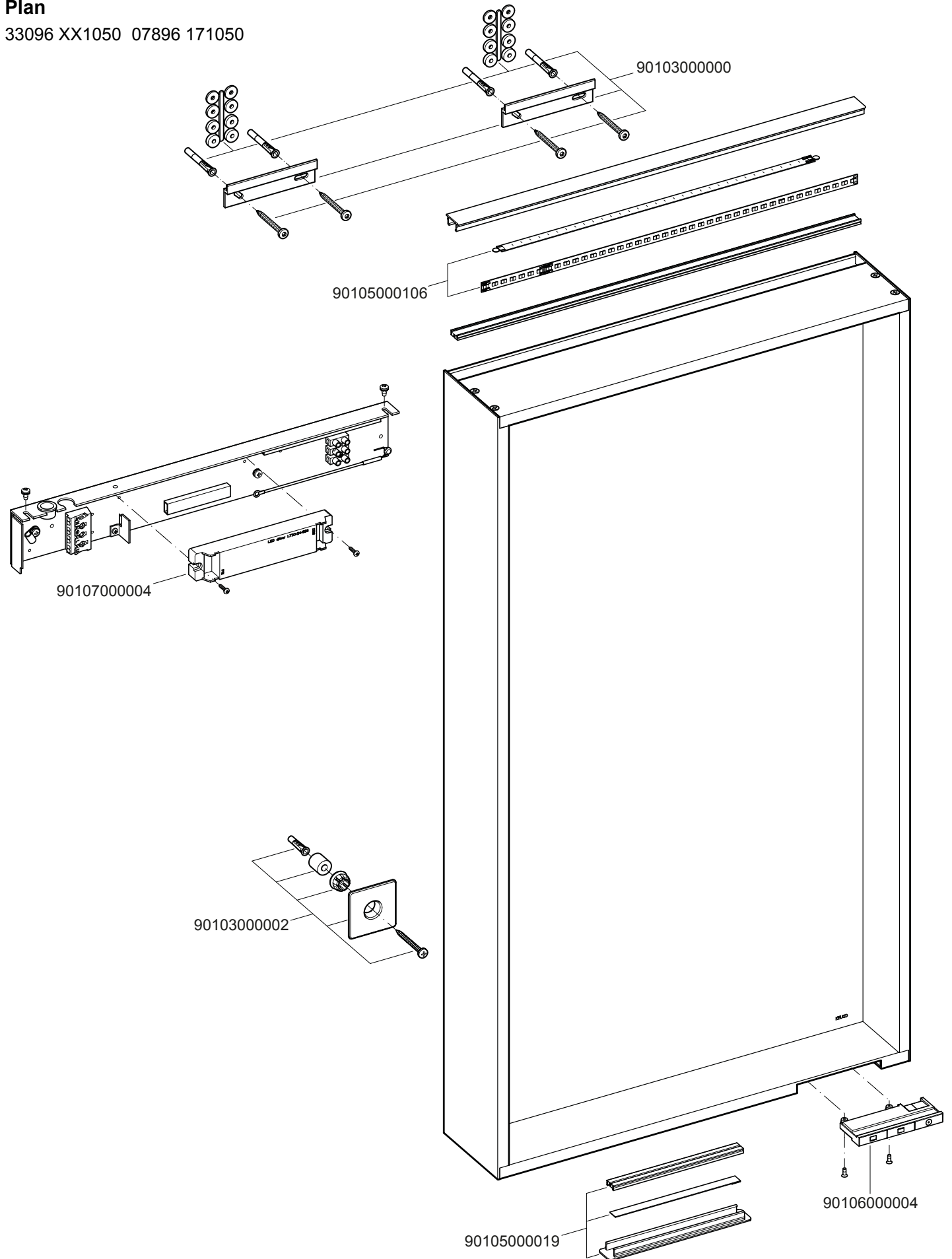


Plan

33096 XX1050 07896 171050



XX = 11, 14, 18, 29, 30