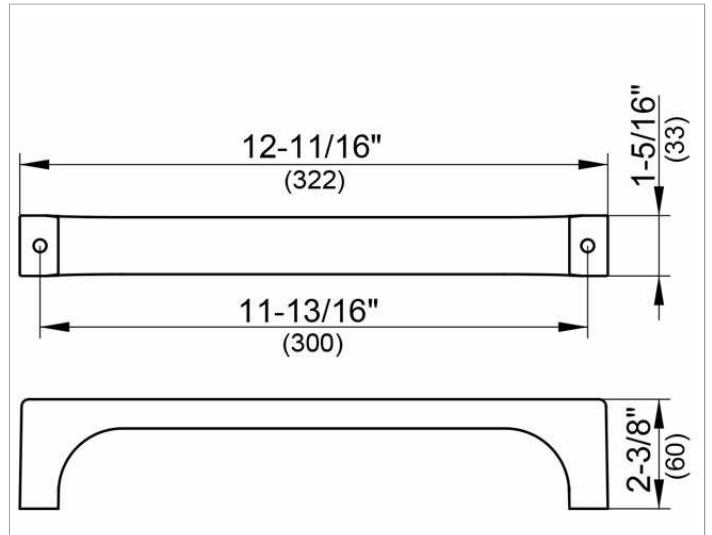


Edition 11
11107010000 Support rail

PRODUCT



DRAWING



SURFACE

chrome-plated

DIMENSION

11,81"

SPECIFICATIONS

KEUCO EDITION 11 grab bar 11107010000
chromed handle, seamlessly
in clear-cut design and geometric shapes, solid zinc die-cast mounting,
max. 115 kg load easy to clean,
Installed at 300 mm, with a total width of 322 mm
Radius 60 mm

Warranty: KEUCO products are covered by a 5-year manufacturer's warranty, in effect from the date of purchase. During this time, proven product defects will be remedied free of charge. Warranty claims must be filed in writing, including a detailed description of the defect immediately after a defect has occurred. For a copy of our detailed product warranty policy, please contact us at office-usa@keuco.com.

Installation: KEUCO products must be installed by a qualified professional in accordance with the respective installation guidelines and any applicable federal / local building codes and regulations.