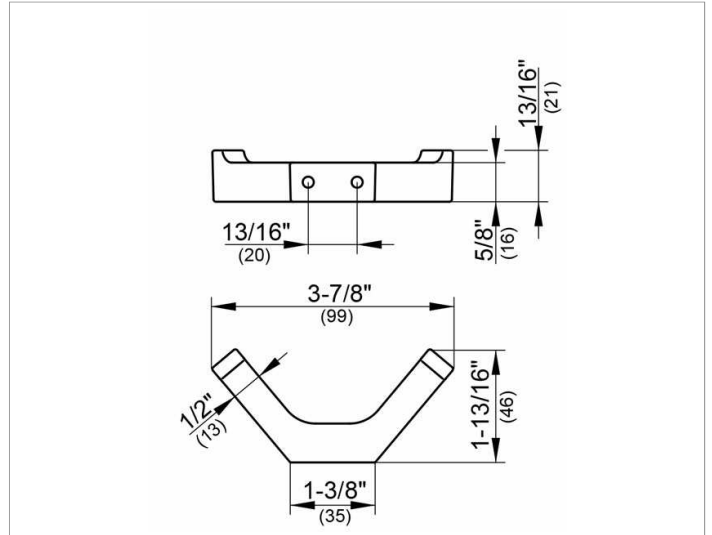


Edition 11  
11115010000 Towel hook

**PRODUCT**



**DRAWING**



**PRODUCT ATTRIBUTES**

double

**SURFACE**

chrome-plated

**SPECIFICATIONS**

KEUCO EDITION 11 double towel hook 11115010000  
chromed double towel hook in the formal design and clear geometric shapes  
Overall width 98 mm, overhang 46 mm  
delivery with corrosion resistant mounting hardware

**Warranty:** KEUCO products are covered by a 5-year manufacturer's warranty, in effect from the date of purchase. During this time, proven product defects will be remedied free of charge. Warranty claims must be filed in writing, including a detailed description of the defect immediately after a defect has occurred. For a copy of our detailed product warranty policy, please contact us at [office-usa@keuco.com](mailto:office-usa@keuco.com).

**Installation:** KEUCO products must be installed by a qualified professional in accordance with the respective installation guidelines and any applicable federal / local building codes and regulations.