

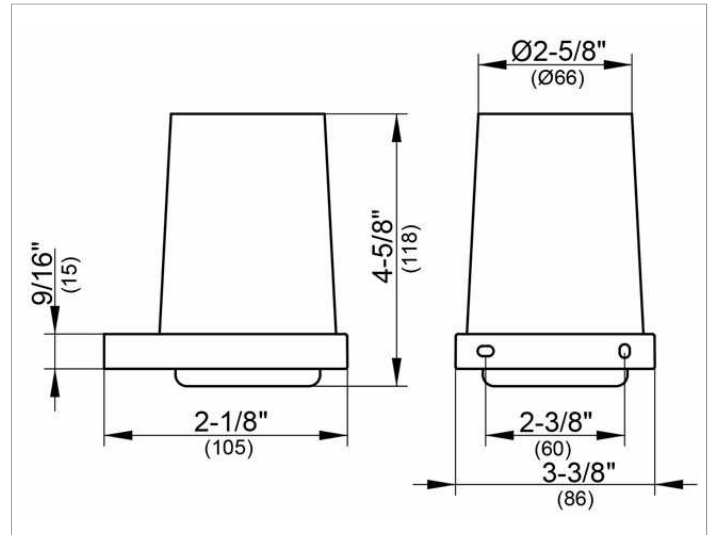
Edition 11

11150019000 Tumbler holder

PRODUCT



DRAWING



PRODUCT ATTRIBUTES

complete with crystal glass tumbler, hand-blown

SURFACE

chrome-plated

SPECIFICATIONS

KEUCO EDITION 11 11150019000 glass holder with crystal glass for wall mounting, complete
 chromed glass holder in a clear-cut design and geometric shapes, easy to clean,
 Holder with frosted crystal glass Item no. 11150009000
 Height 114 mm, 105 mm, width 86 mm
 delivery with corrosion resistant mounting hardware

Warranty: KEUCO products are covered by a 5-year manufacturer's warranty, in effect from the date of purchase. During this time, proven product defects will be remedied free of charge. Warranty claims must be filed in writing, including a detailed description of the defect immediately after a defect has occurred. For a copy of our detailed product warranty policy, please contact us at office-usa@keuco.com.

Installation: KEUCO products must be installed by a qualified professional in accordance with the respective installation guidelines and any applicable federal / local building codes and regulations.