

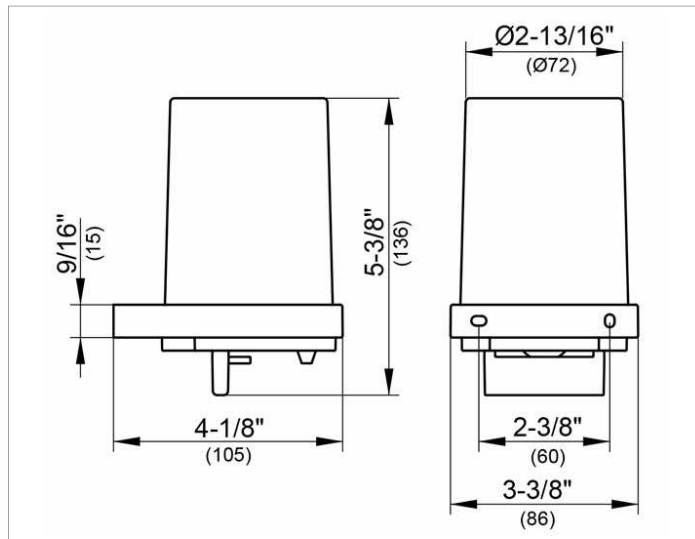
Edition 11

11152019000 Lotion dispenser

PRODUCT



DRAWING



PRODUCT ATTRIBUTES

crystal glass matte, complete with holder and pump for liquid soap

Capacity: approx. 6.09 oz

Dosage: approx. 0.02 oz/stroke

SURFACE

chrome-plated

SPECIFICATIONS

KEUCO EDITION 11 111520190000 lotion dispenser

complete with holder and pump

Chromed holder for lotion dispenser, frosted crystal glass, clean and clear-cut design into geometric shapes, easy to clean, for liquid soap

Holder with tumbler - frosted crystal glass Item no. 111520090000

Capacity 180 ml, dose 0.5 ml / stroke

Height 137 mm, width 86 mm, 105 mm,

Comes with corrosion resistant mounting hardware

Warranty: KEUCO products are covered by a 5-year manufacturer's warranty, in effect from the date of purchase. During this time, proven product defects will be remedied free of charge. Warranty claims must be filed in writing, including a detailed description of the defect immediately after a defect has occurred. For a copy of our detailed product warranty policy, please contact us at office-usa@keuco.com.

Installation: KEUCO products must be installed by a qualified professional in accordance with the respective installation guidelines and any applicable federal / local building codes and regulations.