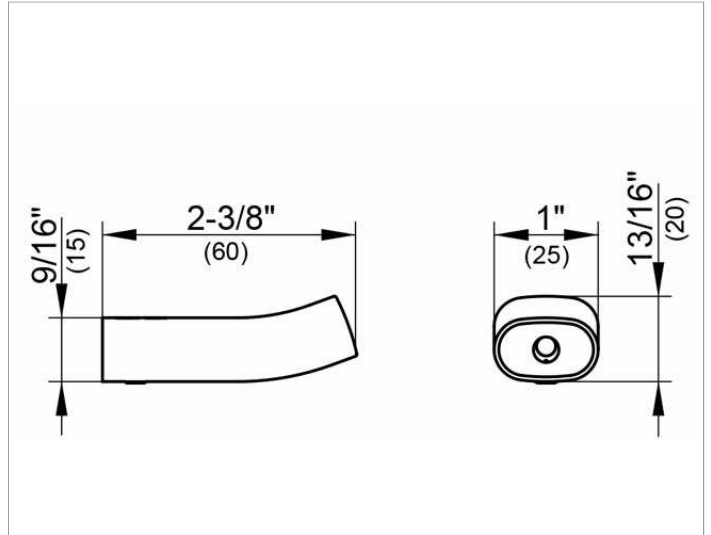


Edition 400  
11514010000 Towel hook

**PRODUCT**



**DRAWING**



**PRODUCT ATTRIBUTES**

single

**SURFACE**

chrome-plated

**SPECIFICATIONS**

KEUCO Edition 400 towel hook, 11514010000  
chrome-plated towel hook,  
sculptural design,  
with slightly rounded edges,  
hook head slightly angled, easy to clean,  
depth 60 mm, width 25 mm, total height 20 mm,  
the towel hook is fitted concealed,  
delivery includes anti-corrosion fixings

**Warranty:** KEUCO products are covered by a 5-year manufacturer's warranty, in effect from the date of purchase. During this time, proven product defects will be remedied free of charge. Warranty claims must be filed in writing, including a detailed description of the defect immediately after a defect has occurred. For a copy of our detailed product warranty policy, please contact us at [office-usa@keuco.com](mailto:office-usa@keuco.com).

**Installation:** KEUCO products must be installed by a qualified professional in accordance with the respective installation guidelines and any applicable federal / local building codes and regulations.