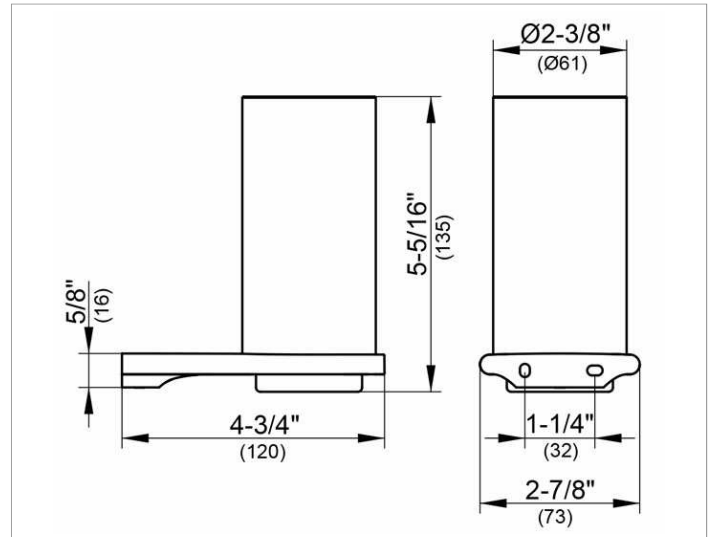


Edition 400
11550019000 Tumbler holder

PRODUCT



DRAWING



PRODUCT ATTRIBUTES

complete with crystal glass

SURFACE

chrome-plated

SPECIFICATIONS

KEUCO Edition tumbler holder, 11550019000
tumbler holder in sculptural design,
chrome-plated holder with slightly rounded edges,
complete with crystal glass, easy to clean,
width 73 mm, height 133 mm, depth 120 mm,
the holder is fitted concealed,
delivery includes anti-corrosion fixings

Warranty: KEUCO products are covered by a 5-year manufacturer's warranty, in effect from the date of purchase. During this time, proven product defects will be remedied free of charge. Warranty claims must be filed in writing, including a detailed description of the defect immediately after a defect has occurred. For a copy of our detailed product warranty policy, please contact us at office-usa@keuco.com.

Installation: KEUCO products must be installed by a qualified professional in accordance with the respective installation guidelines and any applicable federal / local building codes and regulations.