

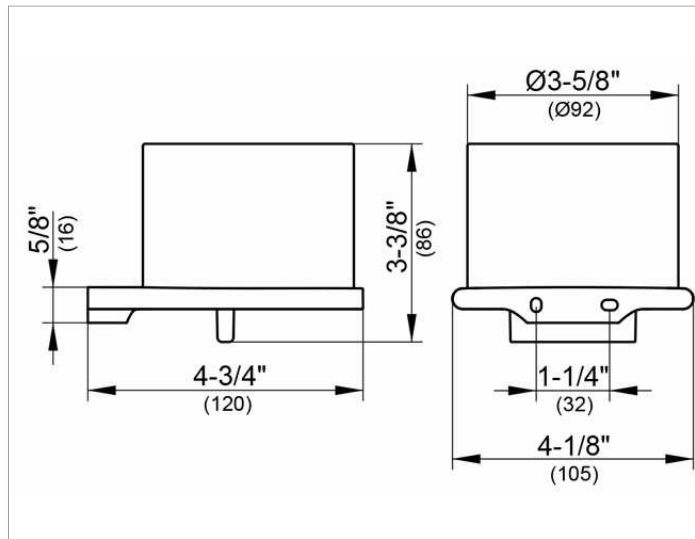
Edition 400

11552019000 Lotion dispenser

PRODUCT



DRAWING



PRODUCT ATTRIBUTES

crystal glass matte, complete with holder and pump for liquid soap

Capacity: approx. 5.07 oz

Dosage: approx. 0.02 oz/stroke

SURFACE

chrome-plated

SPECIFICATIONS

KEUCO Edition 400 lotion dispenser, 11552019000 lotion dispenser in sculptural design, chrome-plated holder with slightly rounded edges, wall mounted for liquid soap, complete with crystal glass, matt, high-quality and durable pump, capacity approx. 150 ml, dosage approx. 0,5 ml/stroke, total height 86 mm, depth 120 mm, width 105 mm, the lotion dispenser is fitted concealed, delivery includes anti-corrosion fixings

Warranty: KEUCO products are covered by a 5-year manufacturer's warranty, in effect from the date of purchase. During this time, proven product defects will be remedied free of charge. Warranty claims must be filed in writing, including a detailed description of the defect immediately after a defect has occurred. For a copy of our detailed product warranty policy, please contact us at office-usa@keuco.com.

Installation: KEUCO products must be installed by a qualified professional in accordance with the respective installation guidelines and any applicable federal / local building codes and regulations.