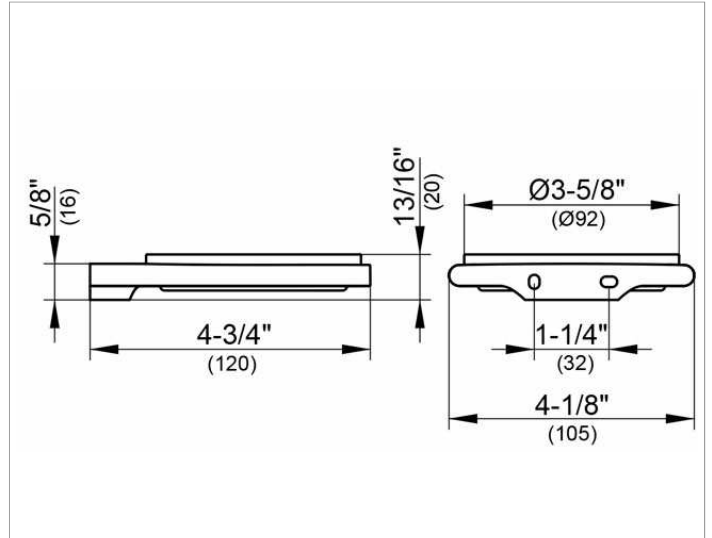


Edition 400  
11555019000 Soap holder

**PRODUCT**



**DRAWING**



**PRODUCT ATTRIBUTES**

complete with crystal soap dish matt

**SURFACE**

chrome-plated

**SPECIFICATIONS**

KEUCO Edition 400 soap holder, 11555019000 soap holder in sculptural design, chrome-plated holder with slightly rounded edges, complete with removable crystal soap dish, matt, easy to clean, width 105 mm, Height 20 mm, depth 120 mm, the soap holder is fitted concealed, delivery includes anti-corrosion fixings

**Warranty:** KEUCO products are covered by a 5-year manufacturer's warranty, in effect from the date of purchase. During this time, proven product defects will be remedied free of charge. Warranty claims must be filed in writing, including a detailed description of the defect immediately after a defect has occurred. For a copy of our detailed product warranty policy, please contact us at office-usa@keuco.com.

**Installation:** KEUCO products must be installed by a qualified professional in accordance with the respective installation guidelines and any applicable federal / local building codes and regulations.