

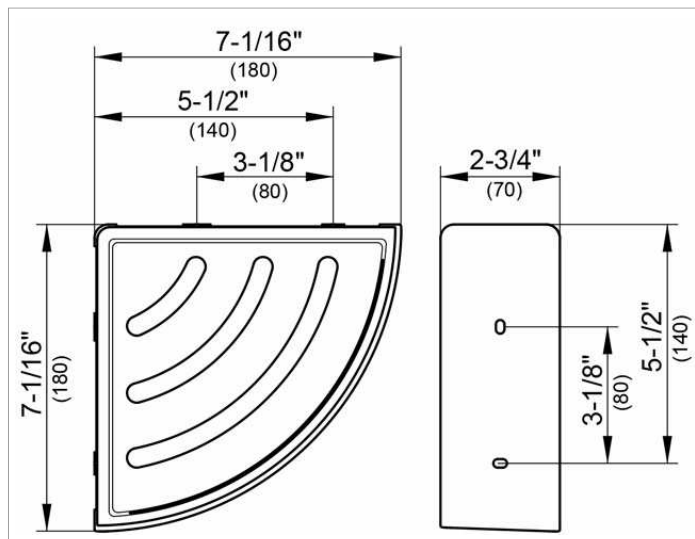
**Elegance NEW**

11657010000 Shower basket for corner installation

**PRODUCT**



**DRAWING**



**PRODUCT ATTRIBUTES**

two parts: metal basket and detachable synthetic insert, soap resistant, shatterproof, UV-protected

**SURFACE**

chrome-plated/white

**SPECIFICATIONS**

KEUCO ELEGANCE sponge basket for corner installation 11657010000  
 Two parts: metal basket (chrome-plated) and detachable (white)  
 Synthetic insert, soap resistant, unbreakable, uv-protected  
 chrome-plated sponge basket for corner installation in an elegant design,  
 easy to clean,  
 total depth 177 mm, width 251 mm, height 70 mm, projection 180mm  
 incl. corrosion-free mounting material

**Warranty:** KEUCO products are covered by a 5-year manufacturer's warranty, in effect from the date of purchase. During this time, proven product defects will be remedied free of charge. Warranty claims must be filed in writing, including a detailed description of the defect immediately after a defect has occurred. For a copy of our detailed product warranty policy, please contact us at office-usa@keuco.com.

**Installation:** KEUCO products must be installed by a qualified professional in accordance with the respective installation guidelines and any applicable federal / local building codes and regulations.