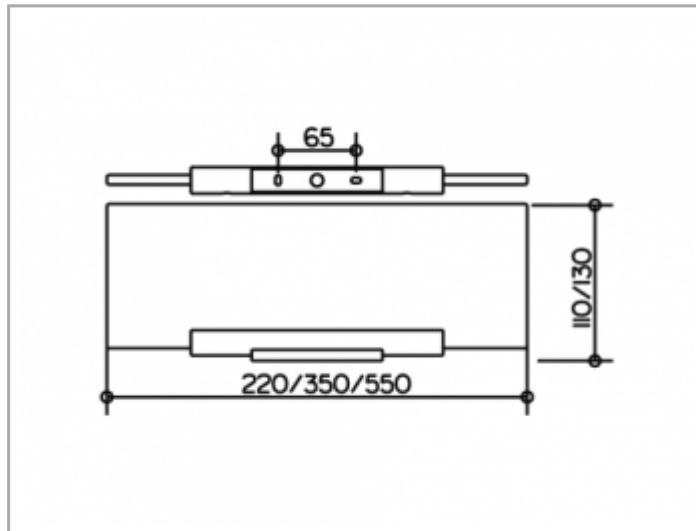


Plan  
14910010000 Shelf bracket

PRODUCT



DRAWING



PRODUCT ATTRIBUTES

without shelf

SURFACE

chrome-plated

SPECIFICATIONS

KEUCO PLAN shelf bracket 14910010000 without glass shelf  
Chrome-plated shelf bracket  
In a stylish yet functional design  
Suitable glass shelf, article 14910  
Width 210 mm, height 22 mm  
incl. corrosion-free mounting material  
shelf to be ordered separately!