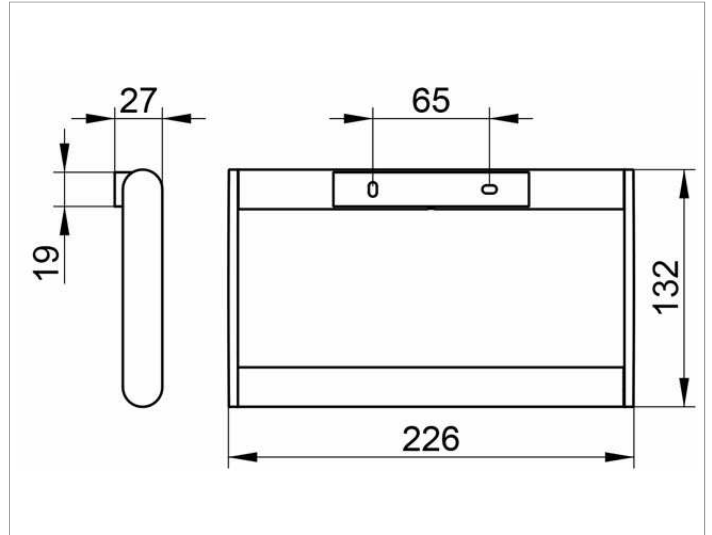


**Plan**  
**14921010000 Towel ring**

**PRODUCT**



**DRAWING**



**SURFACE**  
 chrome-plated

**SPECIFICATIONS**

KEUCO PLAN towel ring 14921010000  
 Chrome-plated towel ring in a stylish yet functional design  
 Closed form, rectangular  
 Towel arm swivels, load bearing up to 25 kg, anti static, easy to clean  
 Width 226 mm, height 132 mm  
 The towel ring is fitted with 2 hidden fixing points  
 incl. corrosion-free mounting material