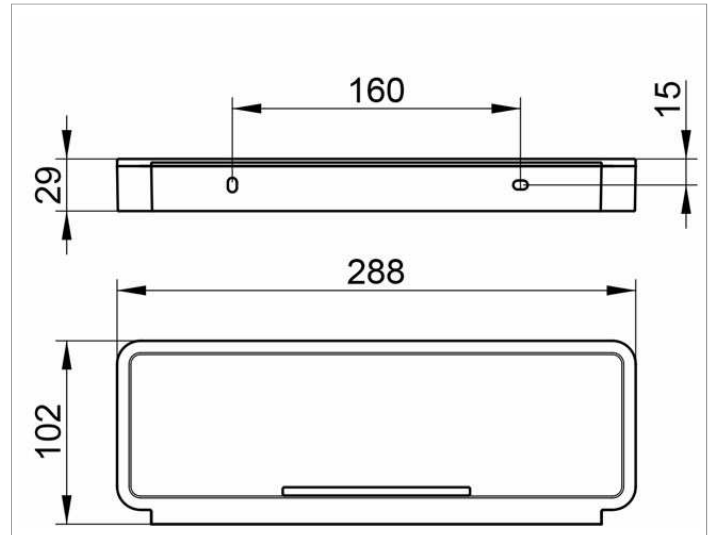


Plan  
14958010037 Shower basket

**PRODUCT**



**DRAWING**



**PRODUCT ATTRIBUTES**

two parts: metal bracket and detachable synthetic insert, soap resistant, shutterproof, uv-protected

**SURFACE**

chrome-plated/dark grey (RAL 7021)