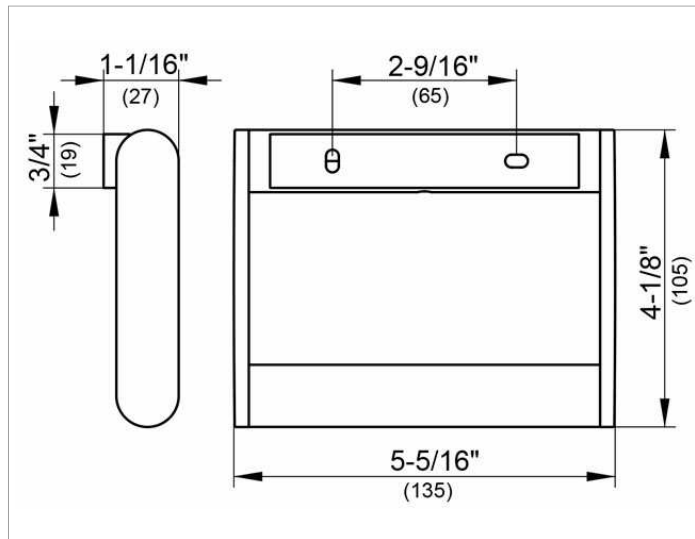


Plan
14961010000 Toilet paper holder

PRODUCT



DRAWING



PRODUCT ATTRIBUTES

double anti-theft device

SURFACE

polished chrome

SPECIFICATIONS

KEUCO PLAN toilet paper holder 14961010000
chrome-plated toilet paper holder in a stylish yet functional design
closed version
suitable for 3-15/16"/4-3/4" wide toilet rolls
double anti-theft device, suitable for public areas
width 5-5/16", height 4-1/8", projection 1-1/16"
The toilet paper holder is fitted with 2 hidden fixing points
incl. corrosion-free mounting material

Warranty: KEUCO products are covered by a 5-year manufacturer's warranty, in effect from the date of purchase. During this time, proven product defects will be remedied free of charge. Warranty claims must be filed in writing, including a detailed description of the defect immediately after a defect has occurred. For a copy of our detailed product warranty policy, please contact us at office-usa@keuco.com.

Installation: KEUCO products must be installed by a qualified professional in accordance with the respective installation guidelines and any applicable federal / local building codes and regulations.